

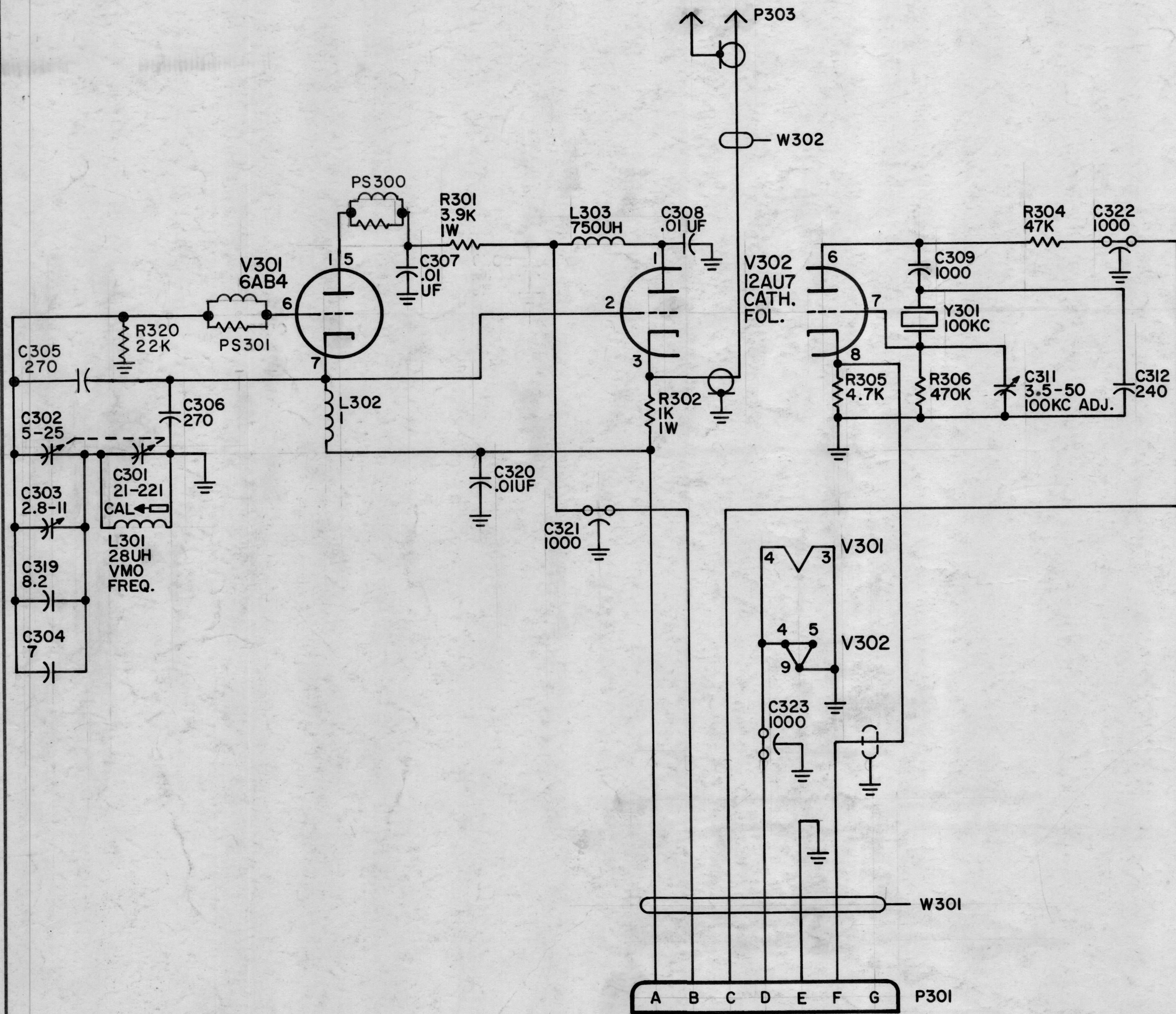
IF IT IS FOUND DESIRABLE TO CHANGE ANY TOLERANCE OR OTHER DETAIL SPECIFIED ON THIS DRAWING NOTIFY THE PURCHASER PROMPTLY.

MAXIMUM ALLOWABLE TOLERANCES HAVE BEEN DETERMINED AND DEVIATIONS WILL BE CAUSE FOR REJECTION. REMOVE ALL BURRS AND SHARP EDGES.

NOTICE TO PERSONS RECEIVING THIS DRAWING

THE TECHNICAL MATERIEL CORPORATION claims proprietary right in the material disclosed hereon. This drawing is issued in confidence for engineering information only and may not be reproduced or used to manufacture anything shown hereon without permission from THE TECHNICAL MATERIEL CORPORATION to the user. This drawing is loaned for mutual assistance and is subject to recall at any time.

Property of:
THE TECHNICAL MATERIEL CORPORATION
MAMARONECK, NEW YORK



UNLESS OTHERWISE SPECIFIED

- 1- ALL CAPACITORS ARE IN MICRO-MICROFARADS
- 2- ALL RESISTORS ARE 1/2 WATT
- 3- ALL COILS ARE IN MILLIHENRIES

CK-428 C

LAST SYMBOLS	MISSING SYMBOLS
C323	C310 R309
L303	C313 R310
P303	C314 R311
R320	C315 R312
Y301	C316 R313
V302	C317 R314
W302	C318 R315
	P302 R316
	R303 R317
	R307 R318
	R308 R319

ISSUE	ITEM	CHANGED FROM	DATE	CH. NO.	DRAFTS	CHECKER	ENG. APP.
C	1	PS301, 300 ADDED	7-26-60	16129	JAD		
B	1	C308 Relocated	5-31-61	4967	RU		
A	2	ADDED LAST & MISSING SYMBOLS	6-23-60	22A			
	1	C304, 70UF WAS C304, 100UF					

TOLERANCES		SCALE:
ALL OTHERS	DEC. DIM. ± FRAC. DIM. ± ANGULAR DIM. ±	DRILL, PUNCH, COMMERCIAL STOCK SIZES AND MANUFACTURERS TOLERANCES ARE NOT INCLUDED.

REQ. PER UNIT	MODEL	PROJECT NO.	ASSY. NO.	DATE
	VOX-3			1-6-60

REQ. ITEM	PART NO.	DESCRIPTION	SYMBOL
THE TECHNICAL MATERIEL CORP. MAMARONECK, NEW YORK			
STOCK SIZE			
SCHEMATIC, DIAGRAM			
MATERIAL WEIGHT PER PC.			
OSCILLATOR (AO-100)			
TYPE & TEMPER		J.C. BIELE	
DRAWN		ELEC. DES. APP.	MECH. DES. APP.
CHECKED		FINAL APPROVAL	
HEAT TREAT. SPEC.		CK-428 C	
FINISH & SPEC. NO.			