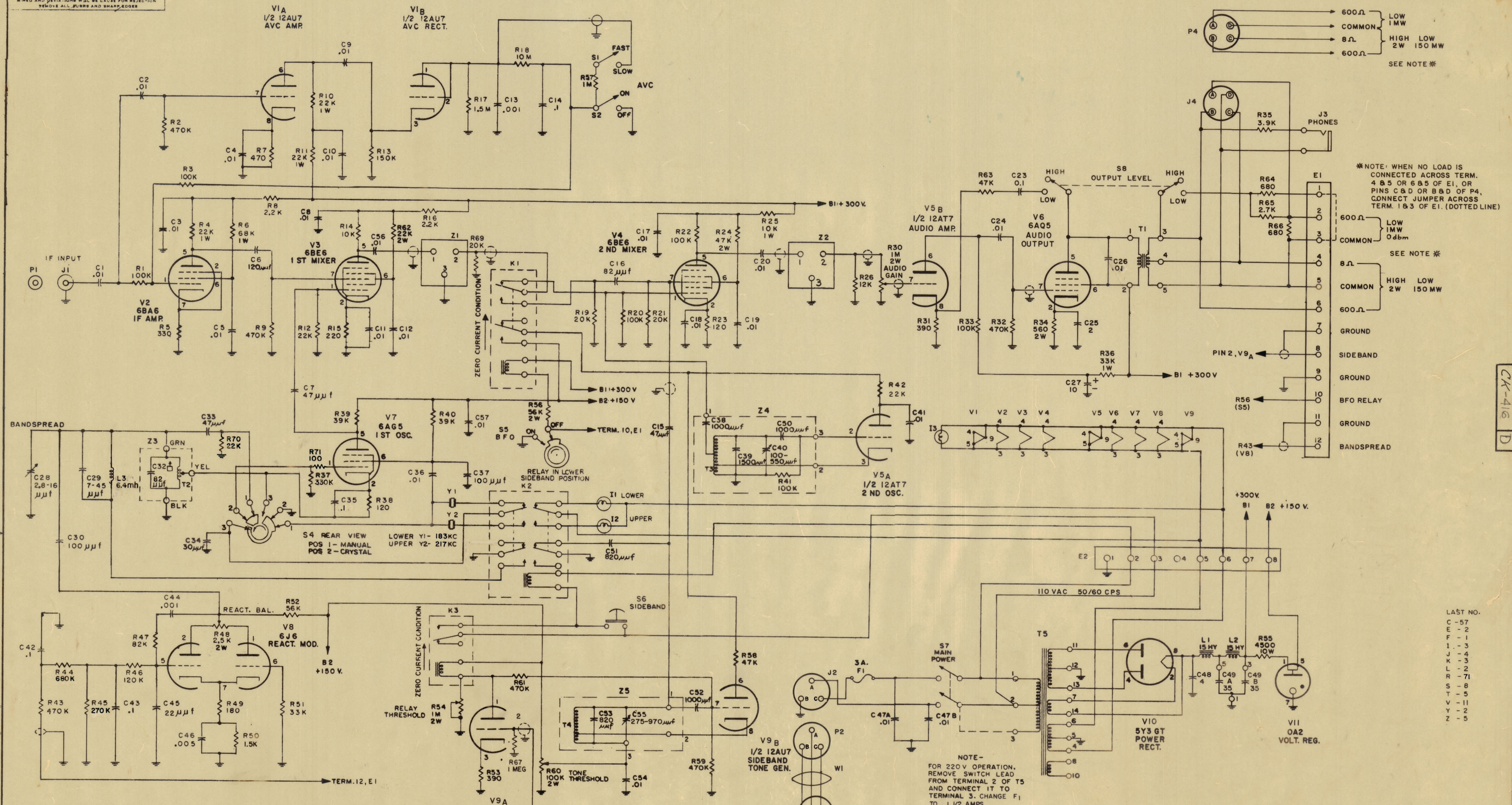


IF IT IS FOUND NECESSARY TO CHANGE ANY TOLERANCE OR OTHER DETAIL SPECIFIED ON THIS DRAWING NOTIFY THE PURCHASER BY MAIL.
 MAXIMUM ALLOWABLE TOLERANCES HAVE BEEN DETERMINED AND DEVIATIONS WHICH WOULD BE CAUSE FOR REJECTION REMOVE ALL BURRS AND SHARP EDGES



*NOTE: WHEN NO LOAD IS CONNECTED ACROSS TERM. 4 & 5 OR 6 & 5 OF E1, OR PINS C & D OR B & D OF P4, CONNECT JUMPER ACROSS TERM. 1 & 3 OF E1. (DOTTED LINE)

- LAST NO.
- C - 57
 - E - 2
 - F - 1
 - I - 3
 - J - 4
 - K - 3
 - L - 2
 - R - 71
 - S - 8
 - T - 5
 - V - 11
 - Y - 2
 - Z - 5

NOTE: UNLESS OTHERWISE NOTED, CAPACITORS ARE IN μfd UNLESS OTHERWISE NOTED, RESISTORS ARE 1/2 WATT

NOTE - FOR 220 V. OPERATION, REMOVE SWITCH LEAD FROM TERMINAL 2 OF T5 AND CONNECT IT TO TERMINAL 3. CHANGE F1 TO 1 1/2 AMPS

NOTICE TO PERSONS RECEIVING THIS DRAWING

THE TECHNICAL MATERIEL CORPORATION claims proprietary right in the material disclosed herein. This drawing is issued in confidence for engineering information only and may not be reproduced or used to manufacture anything shown herein without permission from THE TECHNICAL MATERIEL CORPORATION to the user. This drawing is loaned for mutual assistance and is subject to recall at any time.

Property of:
 THE TECHNICAL MATERIEL CORPORATION
 MAMARONECK, NEW YORK

ISSUE	ITEM	CHANGED FROM	DATE	EN. NO.	DRAFTS	CHECKER	ENG. APP.
0	DIRTY AND REVERSED ON 2E AND 2B		07/28/45	111			
C	DIRTY LAST NO. R71 WAS R70 C31 WAS 150 μfd RT1 ADDED		3.21.46	12384			
B	R50 WAS 1K		1/5/50	1111			
A	R45 WAS 150K V10 WAS 438 1/2 5Y3		1/7/50	1707			

REQ. ITEM	PART NO.	DESCRIPTION	SYMBOL
		THE TECHNICAL MATERIEL CORP. MAMARONECK, NEW YORK	
		SCHEMATIC DIAGRAM	
		MSR-3-a	
		10/11/50	
		FILE	
		CHECKED	
		FINAL APPROV.	

REQ. PER UNIT	MODEL	PROJECT NO.	ABBY. NO.	DATE
1	MSR-3-a			10-26-59

CK-416 D