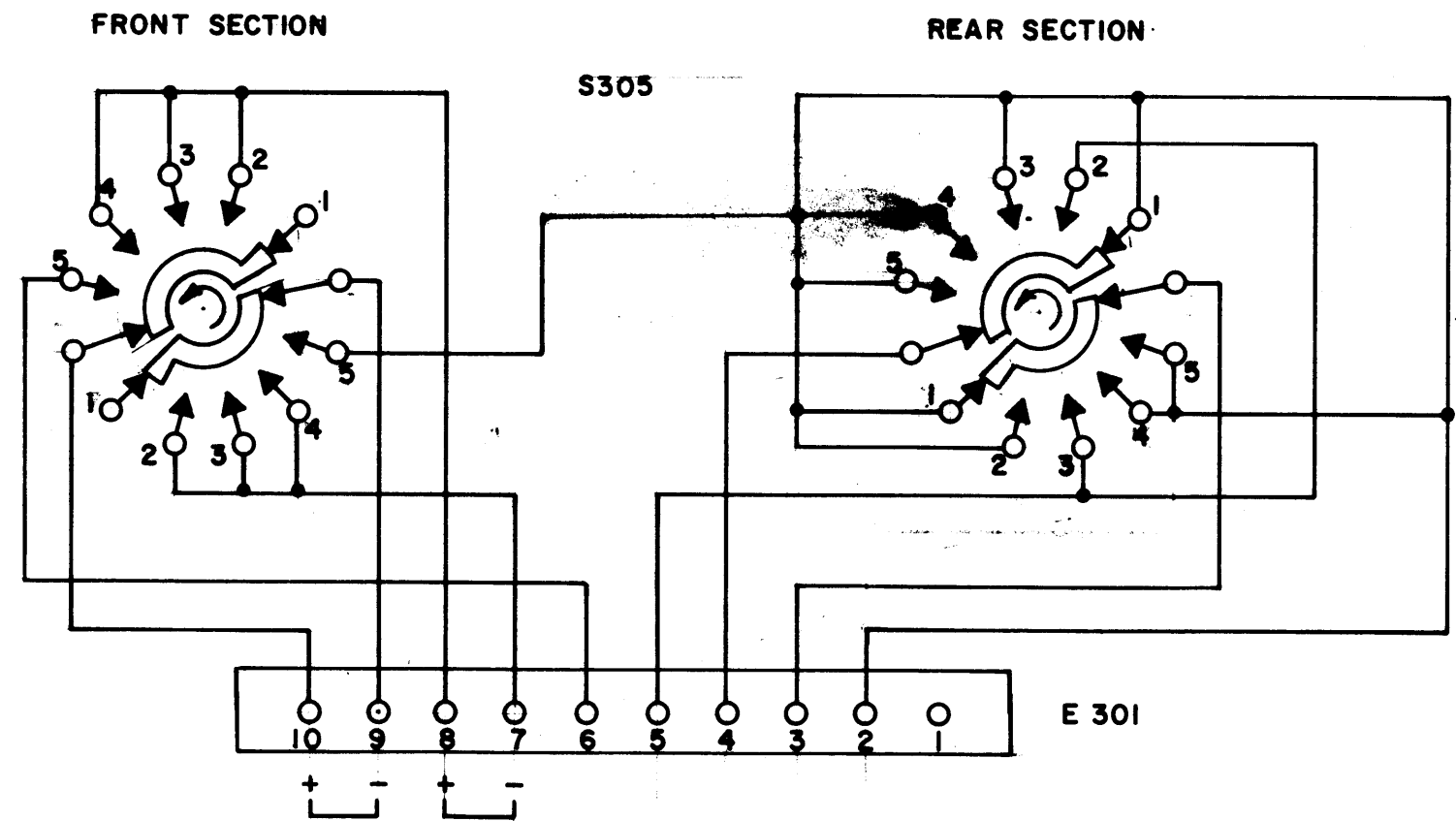
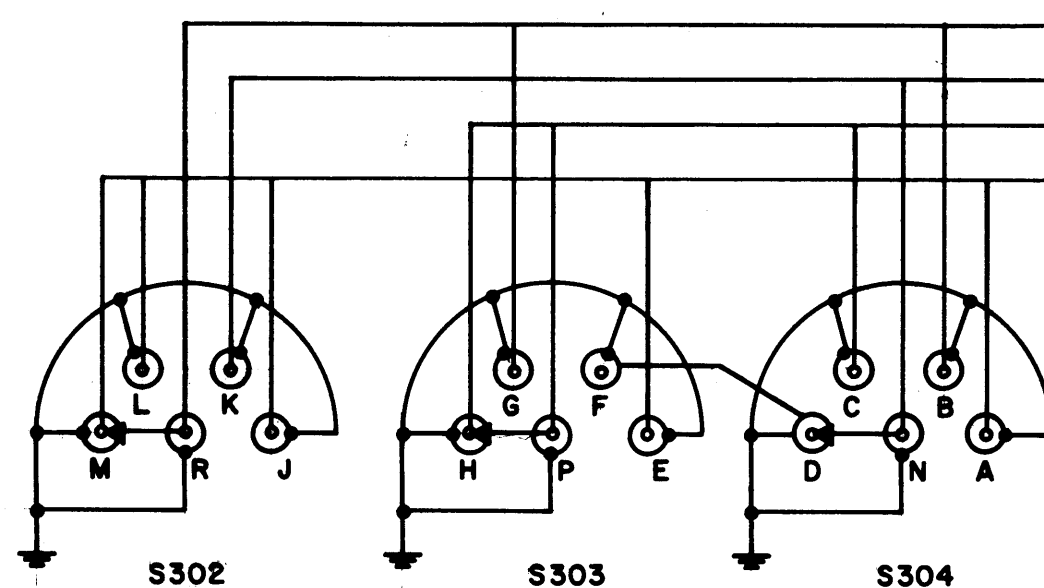
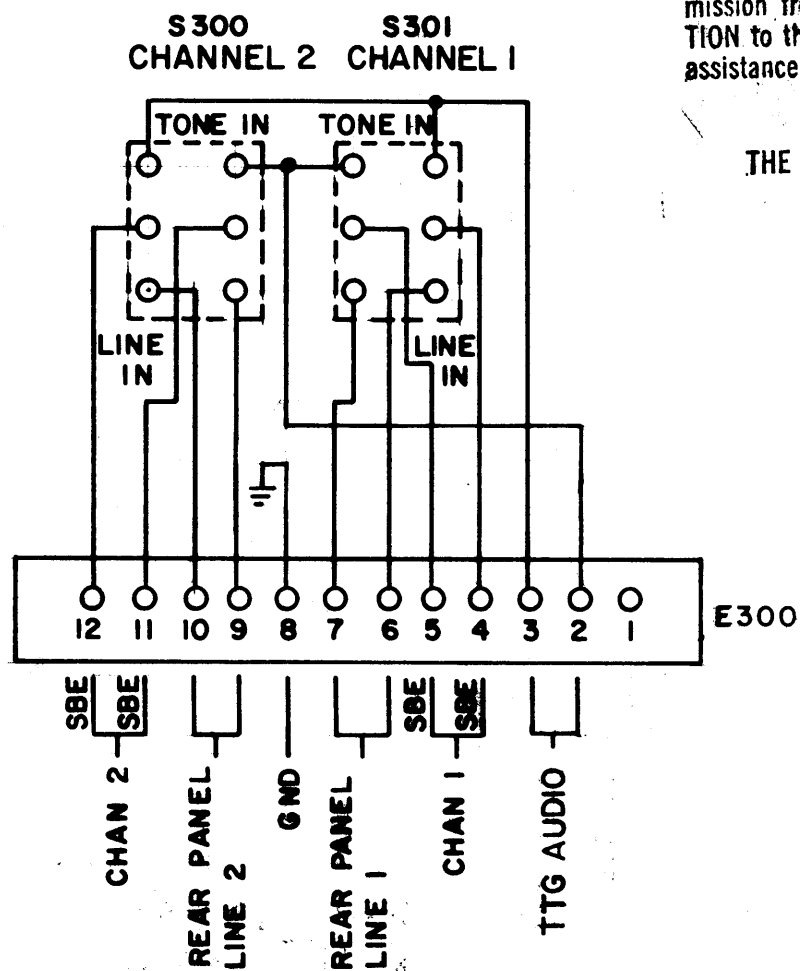


NOTICE TO PERSONS RECEIVING THIS DRAWING

THE TECHNICAL MATERIEL CORPORATION claims proprietary right in the material disclosed hereon. This drawing is issued in confidence for engineering information only and may not be reproduced or used to manufacture anything shown hereon without permission from THE TECHNICAL MATERIEL CORPORATION to the user. This drawing is loaned for mutual assistance and is subject to recall at any time.

Property of:
THE TECHNICAL MATERIEL CORPORATION
MAMARONECK, NEW YORK

P/O CA-427
REF: CK-397



POSITION	FUNCTION
1	SBE,SSB
2	SBE,CW
3	XFK,CW
4	XFK,RTTY
5	XFK,FAX

ISSUE	ITEM	CHANGED FROM	DATE	CH. NO.	DRAFTS	CHECKER	ENG. APP.
D	1	S303 WAS S301	9-12-61	5561	16	CSB	CSB
C	2	TERM. 1&2 WAS BAL. SPARES LINE	9-8-61	5516	16	CSB	CSB
B	1	IN S301 CON. ADDED BETWEEN 5 & 4	8-24-61	5481	16	ELU	ELU
A	2	E300 ADDED TO TERMINAL STRIP	5	23	16	JCB	JCB
A	1	JUMPER FROM 'F' TO 'G' ADDED	20	300	16	JCB	JCB

TOLERANCES: DEC. DIM. ±, FRAC. DIM. ±, ANGULAR DIM. ±

SCALE: MAXIMUM ALLOWABLE TOLERANCES HAVE BEEN DETERMINED AND ANY DEVIATIONS WILL BE CAUSE FOR REJECTION. REMOVE ALL BURRS AND SHARP EDGES

REQ. PER UNIT	MCP-2	P/O GPT-10K-A.3	10-20-59
	MODEL	PROJECT NO.	ASS'Y. NO.
	USED ON		

REQ. ITEM	PART NO.	DESCRIPTION	SYMBOL
THE TECHNICAL MATERIEL CORP. MAMARONECK, NEW YORK			
SCHEMATIC DIAGRAM			
MODEL MCP-2			
IORILLO		HECKED	FINAL APPROVAL
TYPE & TEMPER		HEAT TREAT. SPEC.	
FINI H & SPEC. NO.		ELEC. DES. APP.	MECH. DES. APP.
			CK-413