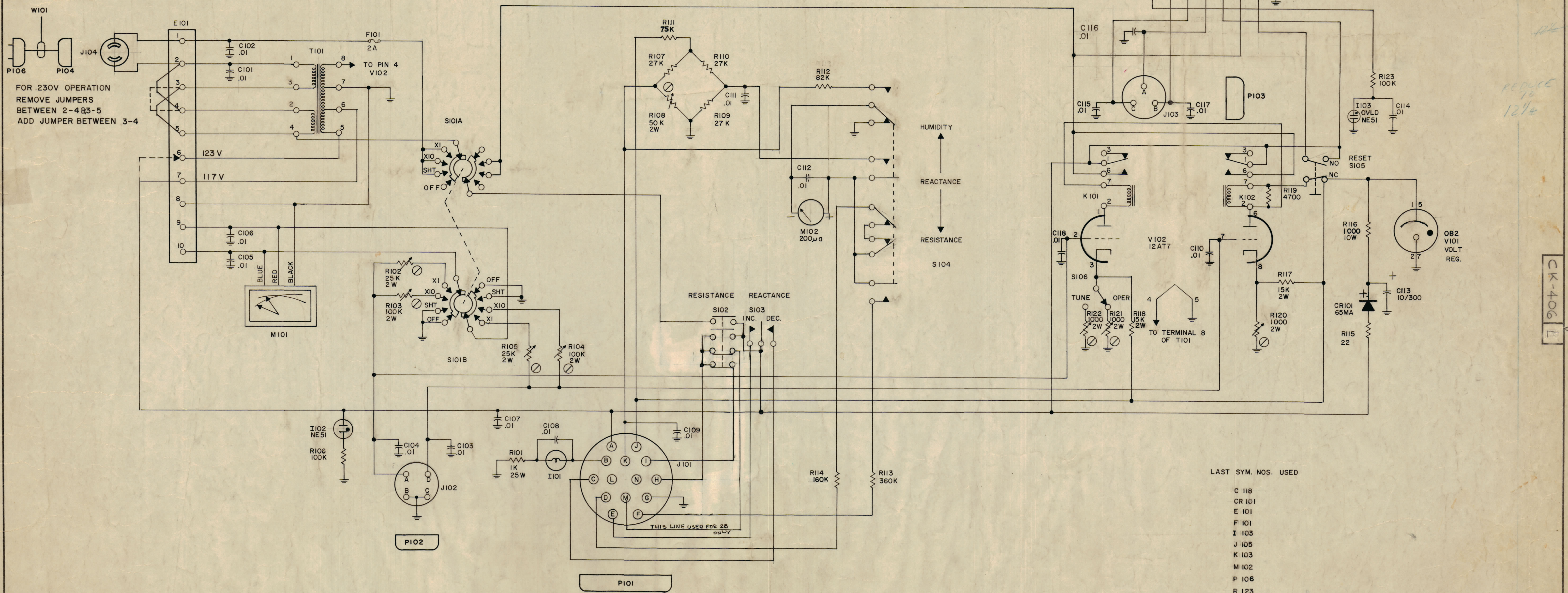


IF IT IS FOUND DESIRABLE TO CHANGE ANY TOLERANCE OR OTHER DETAIL SPECIFIED ON THIS DRAWING NOTIFY THE PURCHASER PROMPTLY.
 MAXIMUM ALLOWABLE TOLERANCES HAVE BEEN DETERMINED AND DEVIATIONS WILL BE CAUSE FOR REJECTION. REMOVE ALL BURNS AND SHARP EDGES

NOTICE TO PERSONS RECEIVING THIS DRAWING
 THE TECHNICAL MATERIEL CORPORATION claims proprietary right in the material disclosed hereon. This drawing is issued in confidence for engineering information only and may not be reproduced or used to manufacture anything shown hereon without permission from THE TECHNICAL MATERIEL CORPORATION to the user. This drawing is loaned for mutual assistance and is subject to recall at any time.
 Property of:
 THE TECHNICAL MATERIEL CORPORATION
 MAMARONECK, NEW YORK



- LAST SYM. NOS. USED
- C 118
 - CR 101
 - E 101
 - F 101
 - I 103
 - J 105
 - K 103
 - M 102
 - P 106
 - R 123
 - S 106
 - T 101
 - V 102
 - W 101

NOTES:
 UNLESS OTHERWISE SPECIFIED
 1- ALL CAPACITORS ARE IN MICROFARADS.
 2- ALL RESISTORS ARE IN OHMS, 1 WATT.

L	S102 CORRECTED CONNS TO PIN M J101 ADD	7-31-79	Z1710	GDL	
K	J105 LEAD BETWEEN PINS 6 & 7 REVERSED	2-1-62	6300	G.D.L.	
J	160K WAS 200K ON R114	11-11-61	5908	EE	
H	LEAD ADDED BETWEEN S101A AND S101B ON R114 250K WAS 160K	11-11-61	5842	KU	
I	S102 & S103 REVISED				
G	P101 TO 104 P106, W101 ADDED	3-28-61	4494	RU	
F	K103 WIRING CHANGED	5-25-61	2322	CS	
E	IN P101 PIN 6 & 7 REVERSED	2-17-61	1857	WAF	
D	R122 READING 1000 WAS 800	11-8-61	1506	CM	
C	WIRING FOR 230V OPERATION WIRING FOR 117V FOR 117V	10-13-59	1401	PD	
B	C115, C116, C117, C118 ADDED R111 WAS 75K	9/14/59		J.C.B.	
A	C110 RELOCATED				
	Z1 OB2 WAS 2000	9-3-59	1271	J.C.B.	
	R116 WAS 2000				

ALL	DEC. DIM. ±	DRILL PUNCH COMMERCIAL STOCK
OTHERS	FRACTIONAL DIM. ±	SIZES AND MANUFACTURERS
	ANGULAR DIM. ±	TOLERANCES ARE NOT INCLUDED.

MCU-2	ATS-50-(70)	7-6-59
REQ PER UNIT	MODEL PROJECT NO.	ASSY. NO. DATE
	USED ON	

REQ. ITEM	PART NO.	DESCRIPTION	SYMBOL
THE TECHNICAL MATERIEL CORP. MAMARONECK, NEW YORK			
SCHEMATIC DIAGRAM			
MCU-2 / ATS-50 (70)			
DRAWN: [Signature] ELEC. DES. APP. [Signature] MECH. DES. APP. [Signature]			
CHECKED: [Signature] FINAL APPROVAL: [Signature]			
FINISH & SPEC. NO. CK-406 L			

CK-406 L