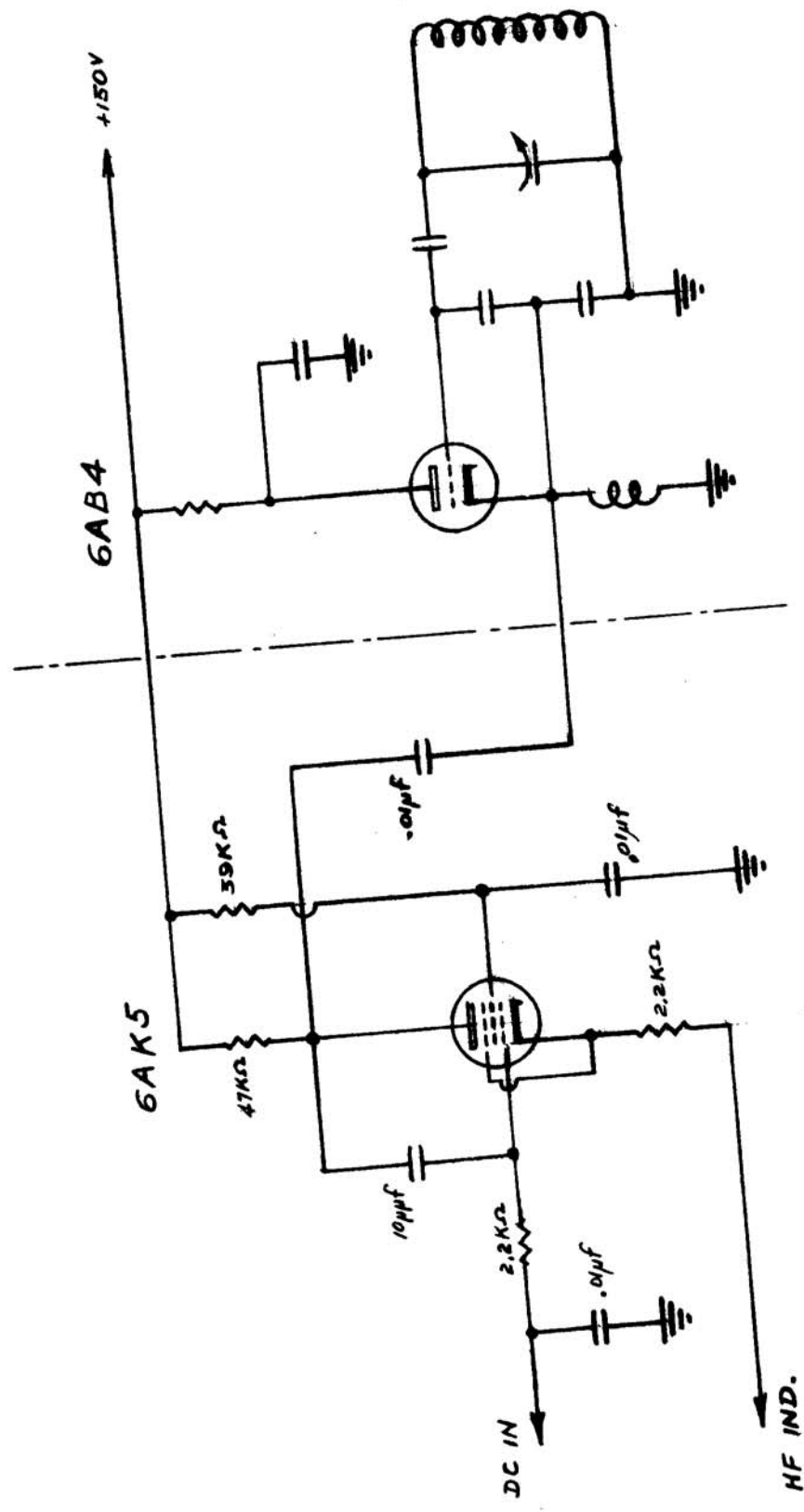


CK-390



NOTE: 1. Added 6AK5.
 2. Replaced 6C4 (V301) with 6AB4 requiring pins 1 & 5 to be connected together

TMC # CK-390

| | |
|---------------------------------------|------------------|
| ELECTRONIC RESEARCH LABORATORY | |
| MONTANA STATE COLLEGE, BOZEMAN, MONT. | |
| TITLE: MODIFICATION OF PMO | DATE: 11-1-1958 |
| DESIGNED BY: B.D. Pritchard | DATE: 11-19-1958 |
| DRAWN BY: George Cheng | |