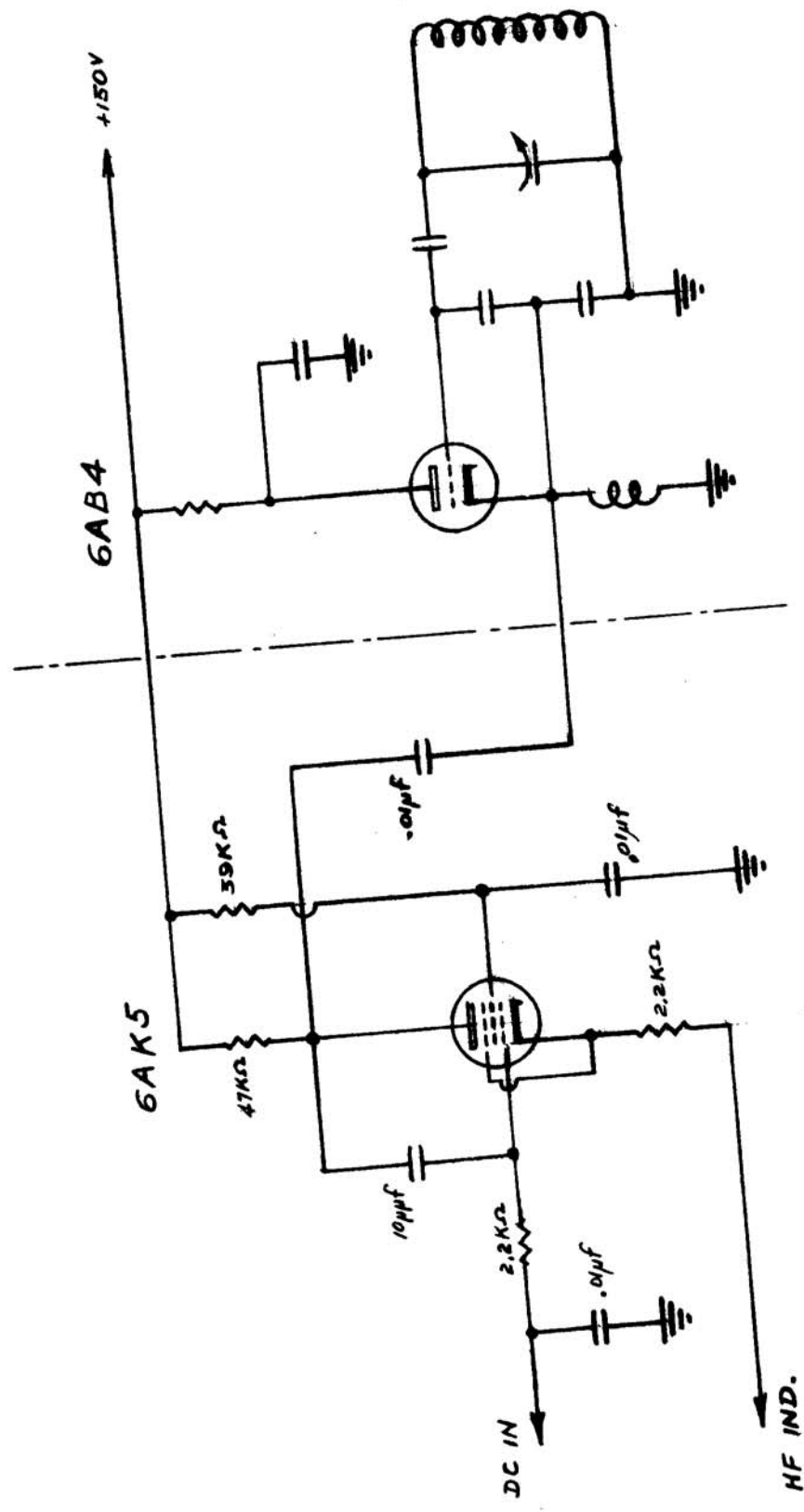


CK-390



NOTE: 1. Added 6AK5.
 2. Replaced 6C4 (V301) with 6AB4 requiring pins 1 & 5 to be connected together

TMC # CK-390

ELECTRONIC RESEARCH LABORATORY	
MONTANA STATE COLLEGE, BOZEMAN, MONT.	
TITLE: MODIFICATION OF PMO	DATE: 11-1-1958
DESIGNED BY: B.D. Pritchard	DATE: 11-19-1958
DRAWN BY: George Cheng	