

IF IT IS FOUND DESIRABLE TO CHANGE ANY TOLERANCE OR OTHER DETAIL SPECIFIED ON THIS DRAWING NOTIFY THE PURCHASER PROMPTLY.

MAXIMUM ALLOWABLE TOLERANCES HAVE BEEN DETERMINED AND DEVIATIONS WILL BE CAUSE FOR REJECTION. REMOVE ALL BURRS AND SHARP EDGES

NOTICE TO PERSONS RECEIVING THIS DRAWING

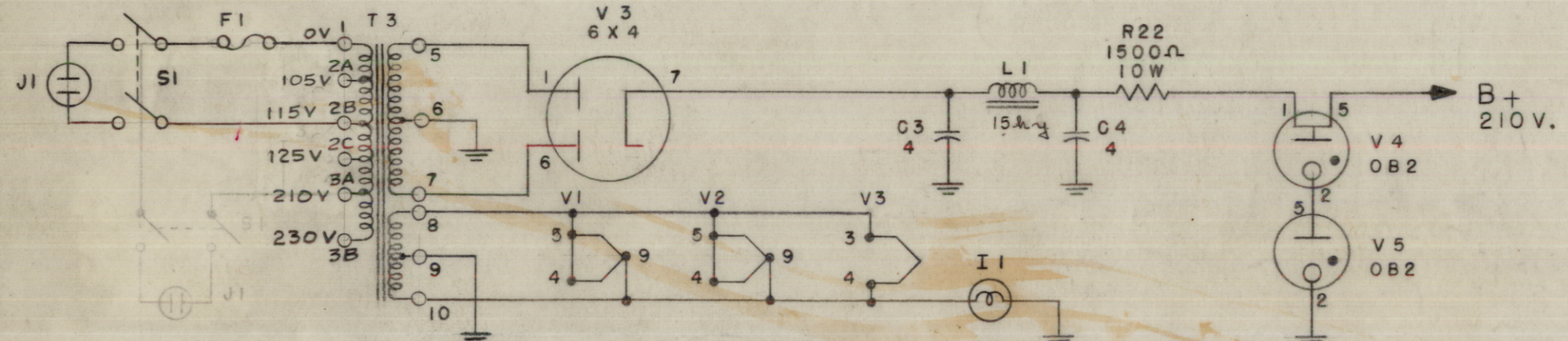
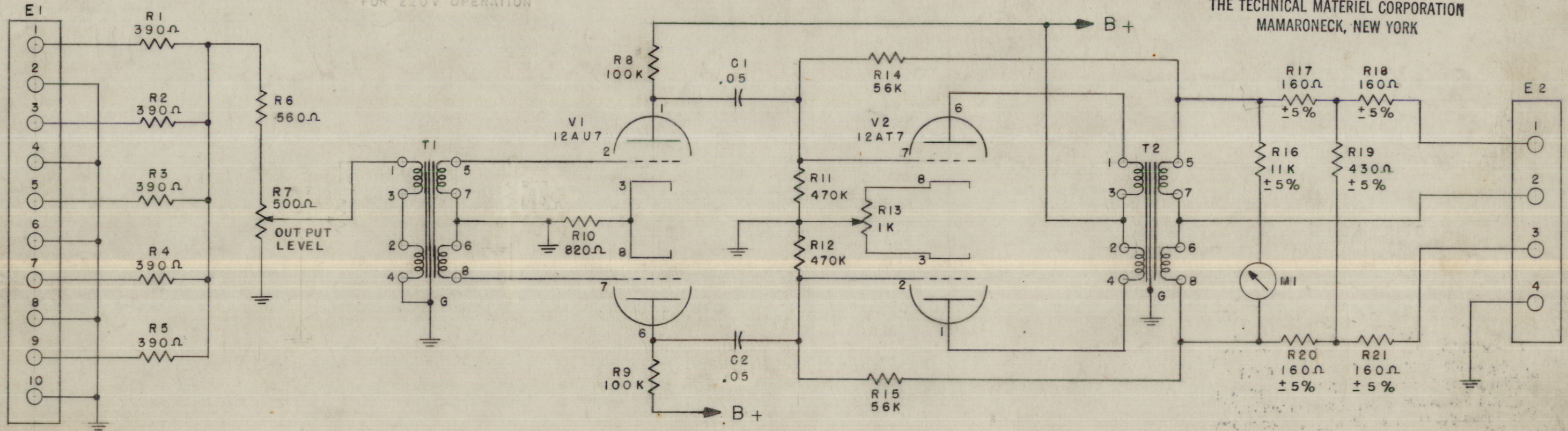
THE TECHNICAL MATERIEL CORPORATION claims proprietary right in the material disclosed hereon. This drawing is issued in confidence for engineering information only and may not be reproduced or used to manufacture anything shown hereon without permission from THE TECHNICAL MATERIEL CORPORATION to the user. This drawing is loaned for mutual assistance and is subject to recall at any time.

Property of:

THE TECHNICAL MATERIEL CORPORATION  
MAMARONECK, NEW YORK

CK-379

FOR 220V OPERATION



ALL CAPACITORS ARE IN  $\mu$ f  
ALL RESISTORS ARE 1/2 W.  $\pm 10\%$   
UNLESS OTHERWISE SPECIFIED

C	1	R13 DELETED	12/25/58	3					
B	1	R3 REWIRED	12/25/58	2					
	1	C1-C2 WERE .05							
A	3	R7 CHANGED							
	2	R9 WAS 400	9-17-54	1					
	1	R23 ADDED							

ISSUE	ITEM	CHANGED FROM	DATE	CN. NO.	DRAFTS	CHECKER	ENG. APP.
TOLERANCES							
SCALE: #							
DRILL, PUNCH, COMMERCIAL STOCK SIZES AND MANUFACTURERS TOLERANCES ARE NOT INCLUDED.							

RSM-3	1.70	A-542	10-16-58
MODEL	PROJECT NO.	ASS'Y. NO.	DATE
USED ON			

REQ.	ITEM	PART NO.	DESCRIPTION	SYMBOL
THE TECHNICAL MATERIEL CORP. MAMARONECK, NEW YORK				
SCHEMATIC DIAGRAM				
RSM-3				
6/9/16/58 P.Z.K.				
DRAWN ELEC. DES. APP. MECH. DES. APP.				
CHECKED FINAL APPROVAL				
SUPERGEDES CK-379				