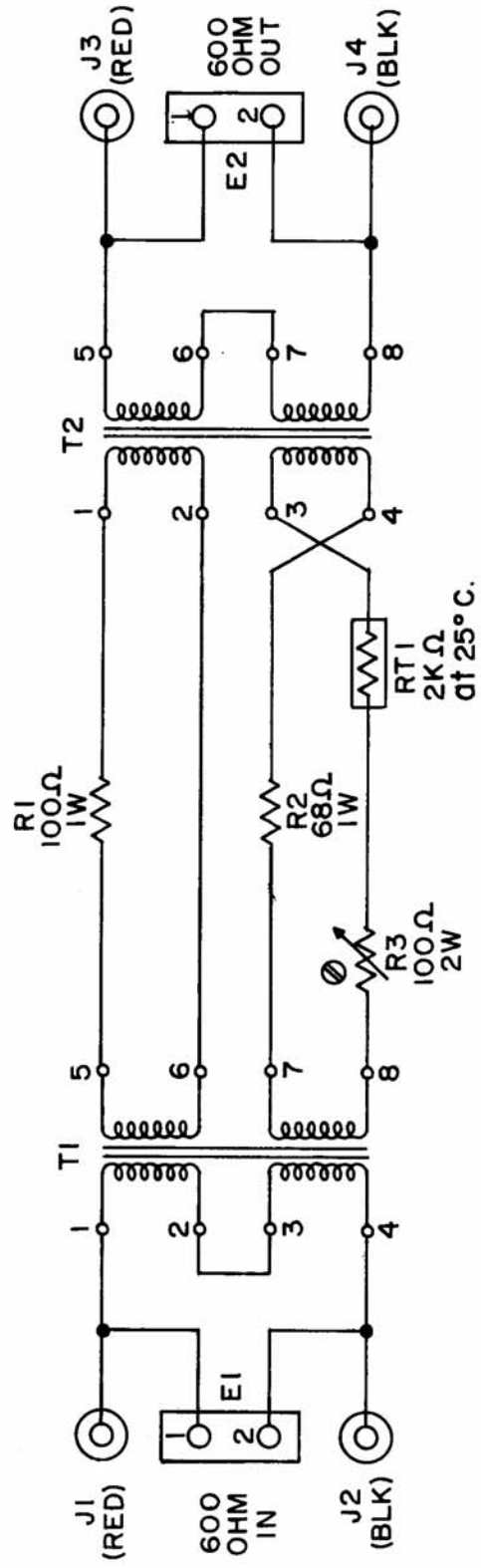


REQ. PER UNIT	1	USED ON	MODEL	DATE
		ASS'Y. NO.	A-1532/PVC	7-30-58
				CK-367
				A



5/3

REQ. ITEM	PART NO.	DESCRIPTION	SYMBOL
		THE TECHNICAL MATERIEL CORP. MAMARONECK, NEW YORK	
		SCHEMATIC DIAGRAM	
		A-1532/PVC	
		167/39/58	JSR
		DRAWN	CHECKED
		ELEC. DES. APP. MECH. DES. APP.	FINAL APPROVAL
		FINISH & SPEC. NO.	CK-367
			A

ISSUE ITEM	CHANGED FROM	DATE	CH. NO.	DRAFTS	CHECKER	ENG. APP.
A 1	TITLE(A-1532 WAS A-1352)	3-25-64	1111	JTB		MMK

TOLERANCES	
DEC. DIM. ±	MAXIMUM ALLOWABLE TOLERANCES HAVE BEEN DETERMINED AND ANY DEVIATIONS WILL BE CAUSE FOR REJECTION.
FRAC. DIM. ±	REMOVE ALL BURRS AND SHARP EDGES
ANGULAR DIM. ±	