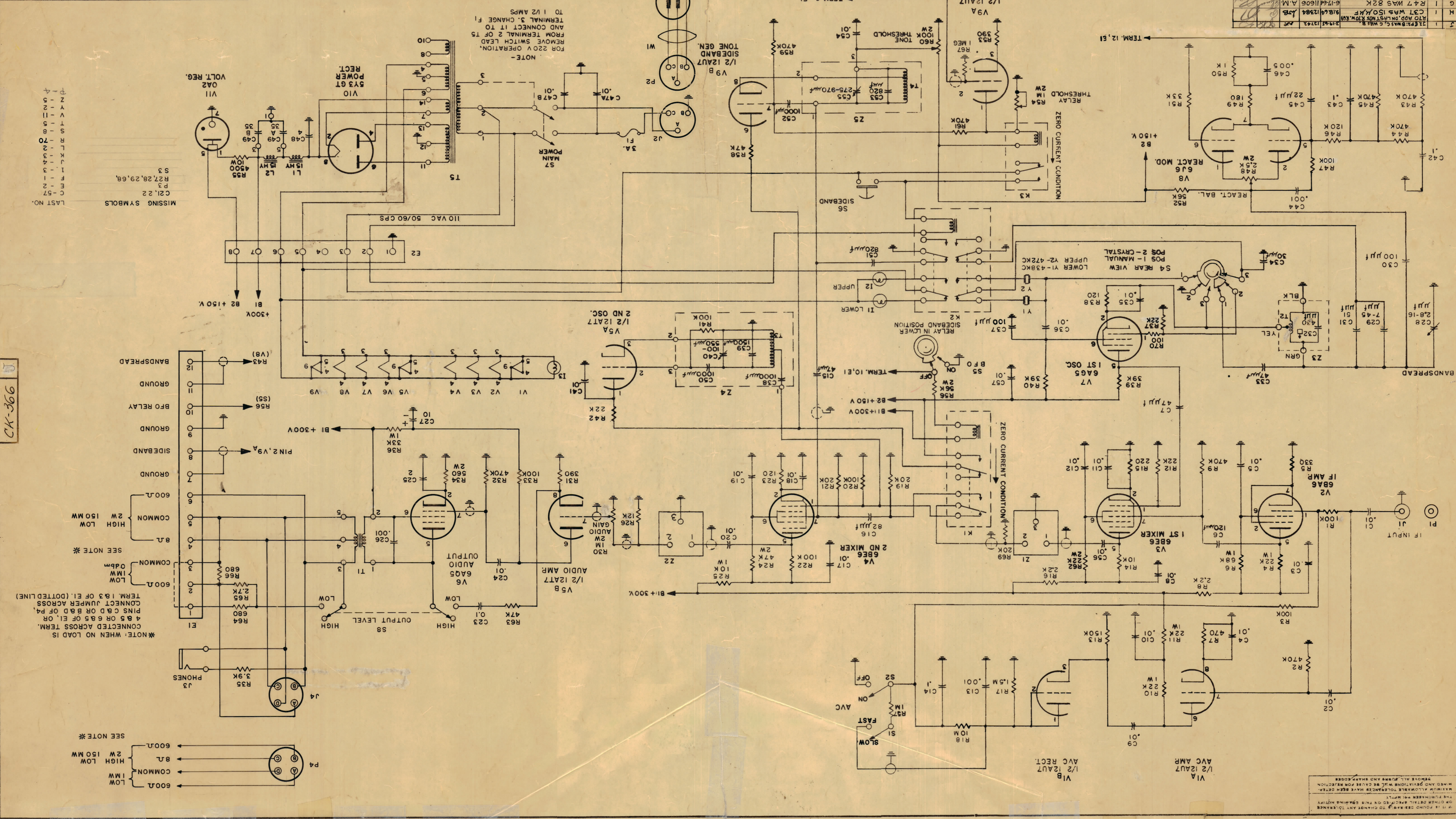


ISSUE	ITEM	CHANGED FROM	DATE	BY	CHECKED	ENG. APP.
A	1	2 WATT RESISTORS	4-5-58	W. J. B.		
B	2	100 OHM RESISTOR	4-5-58	W. J. B.		
C	3	100 OHM RESISTOR	4-5-58	W. J. B.		
D	4	100 OHM RESISTOR	4-5-58	W. J. B.		
E	5	100 OHM RESISTOR	4-5-58	W. J. B.		
F	1	ON S1 REVERSE LETTERING FAST & SLOW	4-5-58	W. J. B.		
G	1	R42 WAS 2.2K	4-5-58	W. J. B.		
H	1	R41 WAS 100K	4-5-58	W. J. B.		
I	1	R40 WAS 100K	4-5-58	W. J. B.		
J	1	R39 WAS 100K	4-5-58	W. J. B.		

REQ. NO.	ITEM	PART NO.	DESCRIPTION	SYMBOL
1	1	100K	RESISTOR	R1
2	1	100K	RESISTOR	R2
3	1	100K	RESISTOR	R3
4	1	100K	RESISTOR	R4
5	1	100K	RESISTOR	R5
6	1	100K	RESISTOR	R6
7	1	100K	RESISTOR	R7
8	1	100K	RESISTOR	R8
9	1	100K	RESISTOR	R9
10	1	100K	RESISTOR	R10
11	1	100K	RESISTOR	R11
12	1	100K	RESISTOR	R12
13	1	100K	RESISTOR	R13
14	1	100K	RESISTOR	R14
15	1	100K	RESISTOR	R15
16	1	100K	RESISTOR	R16
17	1	100K	RESISTOR	R17
18	1	100K	RESISTOR	R18
19	1	100K	RESISTOR	R19
20	1	100K	RESISTOR	R20
21	1	100K	RESISTOR	R21
22	1	100K	RESISTOR	R22
23	1	100K	RESISTOR	R23
24	1	100K	RESISTOR	R24
25	1	100K	RESISTOR	R25
26	1	100K	RESISTOR	R26
27	1	100K	RESISTOR	R27
28	1	100K	RESISTOR	R28
29	1	100K	RESISTOR	R29
30	1	100K	RESISTOR	R30
31	1	100K	RESISTOR	R31
32	1	100K	RESISTOR	R32
33	1	100K	RESISTOR	R33
34	1	100K	RESISTOR	R34
35	1	100K	RESISTOR	R35
36	1	100K	RESISTOR	R36
37	1	100K	RESISTOR	R37
38	1	100K	RESISTOR	R38
39	1	100K	RESISTOR	R39
40	1	100K	RESISTOR	R40
41	1	100K	RESISTOR	R41
42	1	100K	RESISTOR	R42
43	1	100K	RESISTOR	R43
44	1	100K	RESISTOR	R44
45	1	100K	RESISTOR	R45
46	1	100K	RESISTOR	R46
47	1	100K	RESISTOR	R47
48	1	100K	RESISTOR	R48
49	1	100K	RESISTOR	R49
50	1	100K	RESISTOR	R50
51	1	100K	RESISTOR	R51
52	1	100K	RESISTOR	R52
53	1	100K	RESISTOR	R53
54	1	100K	RESISTOR	R54
55	1	100K	RESISTOR	R55
56	1	100K	RESISTOR	R56
57	1	100K	RESISTOR	R57
58	1	100K	RESISTOR	R58
59	1	100K	RESISTOR	R59
60	1	100K	RESISTOR	R60
61	1	100K	RESISTOR	R61
62	1	100K	RESISTOR	R62
63	1	100K	RESISTOR	R63
64	1	100K	RESISTOR	R64
65	1	100K	RESISTOR	R65
66	1	100K	RESISTOR	R66
67	1	100K	RESISTOR	R67
68	1	100K	RESISTOR	R68
69	1	100K	RESISTOR	R69
70	1	100K	RESISTOR	R70
71	1	100K	RESISTOR	R71
72	1	100K	RESISTOR	R72
73	1	100K	RESISTOR	R73
74	1	100K	RESISTOR	R74
75	1	100K	RESISTOR	R75
76	1	100K	RESISTOR	R76
77	1	100K	RESISTOR	R77
78	1	100K	RESISTOR	R78
79	1	100K	RESISTOR	R79
80	1	100K	RESISTOR	R80
81	1	100K	RESISTOR	R81
82	1	100K	RESISTOR	R82
83	1	100K	RESISTOR	R83
84	1	100K	RESISTOR	R84
85	1	100K	RESISTOR	R85
86	1	100K	RESISTOR	R86
87	1	100K	RESISTOR	R87
88	1	100K	RESISTOR	R88
89	1	100K	RESISTOR	R89
90	1	100K	RESISTOR	R90
91	1	100K	RESISTOR	R91
92	1	100K	RESISTOR	R92
93	1	100K	RESISTOR	R93
94	1	100K	RESISTOR	R94
95	1	100K	RESISTOR	R95
96	1	100K	RESISTOR	R96
97	1	100K	RESISTOR	R97
98	1	100K	RESISTOR	R98
99	1	100K	RESISTOR	R99
100	1	100K	RESISTOR	R100



MISSING SYMBOLS
 C21, 22
 P3
 R27, 28, 29, 68, S3

NOTE: WHEN NO LOAD IS CONNECTED ACROSS TERM. 4 B5 OR 6 A5 OF E1, OR PINS C A D OR B A D OF P4, CONNECT JUMPER ACROSS TERM. 1 B3 OF E1. (DOTTED LINE) SEE NOTE *

NOTE: WHEN NO LOAD IS CONNECTED ACROSS TERM. 4 B5 OR 6 A5 OF E1, OR PINS C A D OR B A D OF P4, CONNECT JUMPER ACROSS TERM. 1 B3 OF E1. (DOTTED LINE) SEE NOTE *

NOTE: WHEN NO LOAD IS CONNECTED ACROSS TERM. 4 B5 OR 6 A5 OF E1, OR PINS C A D OR B A D OF P4, CONNECT JUMPER ACROSS TERM. 1 B3 OF E1. (DOTTED LINE) SEE NOTE *

NOTE: WHEN NO LOAD IS CONNECTED ACROSS TERM. 4 B5 OR 6 A5 OF E1, OR PINS C A D OR B A D OF P4, CONNECT JUMPER ACROSS TERM. 1 B3 OF E1. (DOTTED LINE) SEE NOTE *

NOTE: WHEN NO LOAD IS CONNECTED ACROSS TERM. 4 B5 OR 6 A5 OF E1, OR PINS C A D OR B A D OF P4, CONNECT JUMPER ACROSS TERM. 1 B3 OF E1. (DOTTED LINE) SEE NOTE *

IT IS FOUND DESIRABLE TO CHANGE THE FOLLOWING PARTS TO THE FOLLOWING PARTS TO IMPROVE THE PERFORMANCE OF THE EQUIPMENT. THE FOLLOWING PARTS ARE THE RECOMMENDED PARTS TO BE USED IN THE EQUIPMENT. THE FOLLOWING PARTS ARE THE RECOMMENDED PARTS TO BE USED IN THE EQUIPMENT.