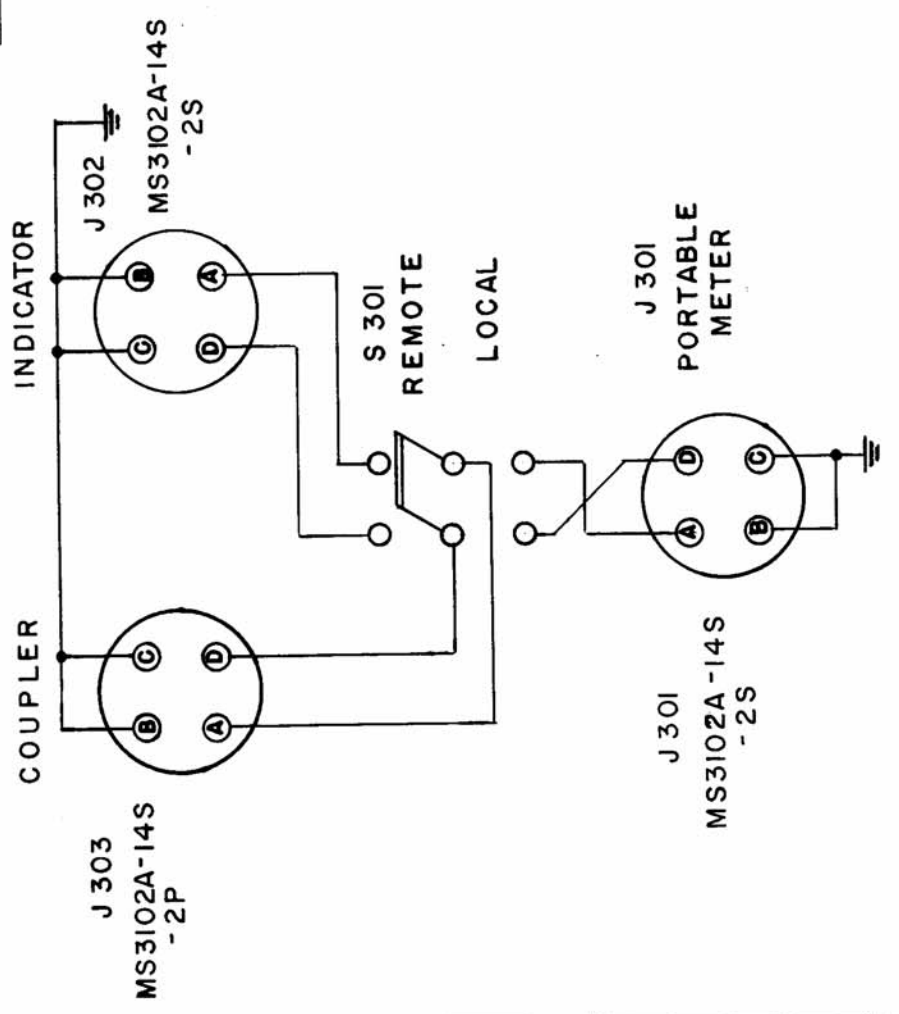


FIG 5-5

REQ. PER UNIT	1
MODEL	JBIII
USED ON ASS'Y. NO.	
DATE	6-13-58
CK-363	
B	



REQ. ITEM	PART NO.	DESCRIPTION	SYMBOL
		THE TECHNICAL MATERIEL CORP. MAMARONECK, NEW YORK	
		SCHEMATIC DIAGRAM	
		MODEL JBIII	
		STOCK SIZE	
		MATERIAL	
		TYPE & TEMPER	
		HEAT TREAT. SPEC.	
		FINISH & SPEC. NO.	
		DRAWN	
		CHECKED	
		FINAL APPROVAL	
		ELEC. DES. APP. MECH. DES. APP.	

ISSUE ITEM	CHANGED FROM	DATE	CH. NO.	DRAFTS	CHECKER	ENG. APP.
B 1	CLERICAL CHANGE	1-13-64	4			
A 1	J301, 302, 303 Pkg. Functions Clarified	10/13/58	A-82			

DEC. DIM. ±	
FRAC. DIM. ±	
ANGULAR DIM. ±	

TOLERANCES	
SCALE:	
MAXIMUM ALLOWABLE TOLERANCES HAVE BEEN DETERMINED AND ANY DEVIATIONS WILL BE CAUSE FOR REJECTION. REMOVE ALL BURRS AND SHARP EDGES	

REQ. ITEM	PART NO.	DESCRIPTION	SYMBOL
		THE TECHNICAL MATERIEL CORP. MAMARONECK, NEW YORK	
		SCHEMATIC DIAGRAM	
		MODEL JBIII	
		STOCK SIZE	
		MATERIAL	
		TYPE & TEMPER	
		HEAT TREAT. SPEC.	
		FINISH & SPEC. NO.	
		DRAWN	
		CHECKED	
		FINAL APPROVAL	
		ELEC. DES. APP. MECH. DES. APP.	