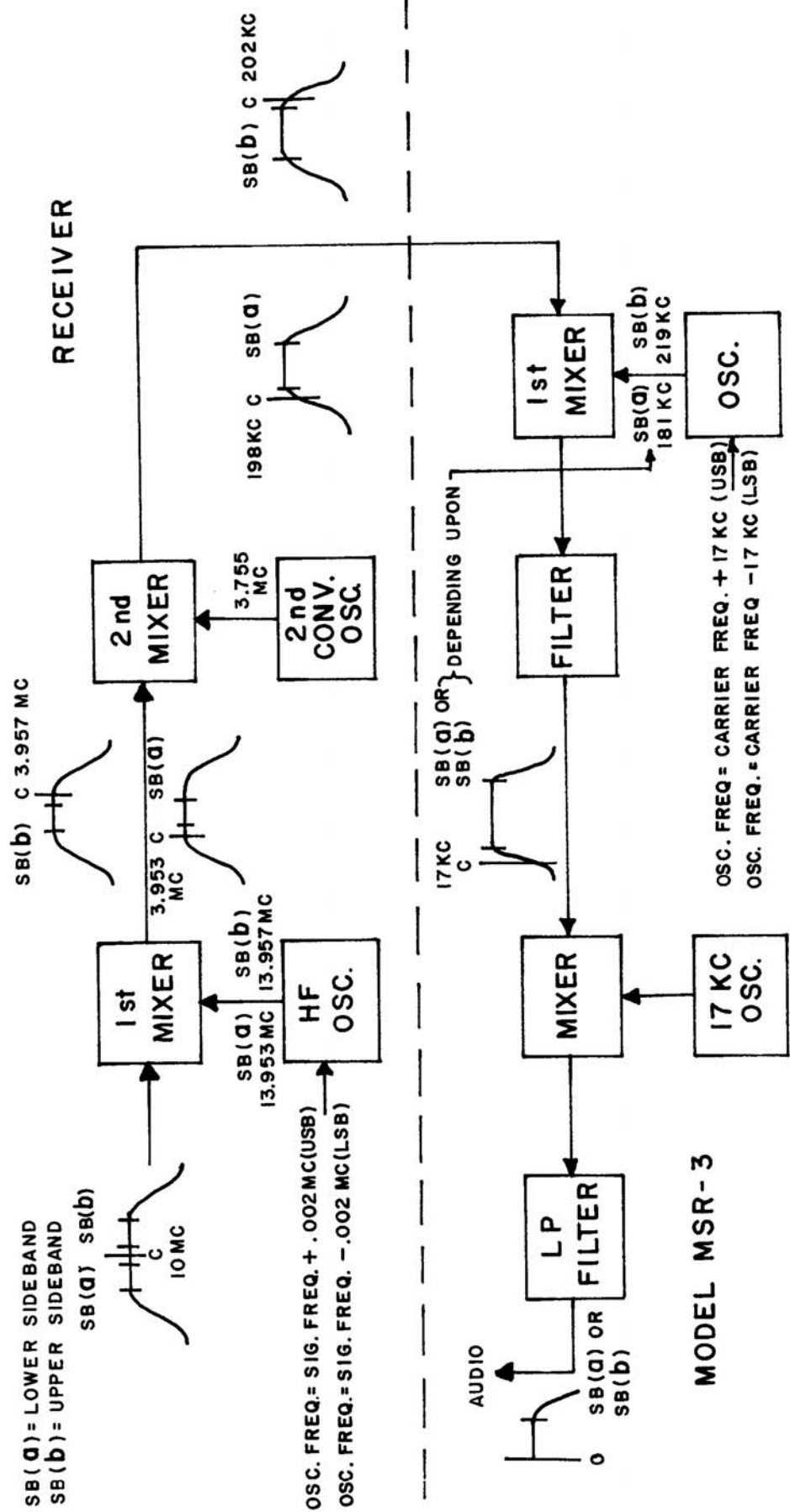


EXAMPLE I — SHIFTED OPERATION WITH A DOUBLE CONVERSION RECEIVER



REQ. ITEM	CHANGED FROM	DATE	CH. NO.	DRAFTS	CHECKER	ENG. APP.	PART NO.	DESCRIPTION	SYMBOL
								THE TECHNICAL MATERIEL CORP. MAMARONECK, NEW YORK	
								BLOCK DIAGRAM EXAMPLE I	
								MODEL MSR-3	
								C. D. D.	
								CHECKED	FINAL APPROVAL
									CK-350
<p>ISSUE ITEM</p> <p>CHANGED FROM</p> <p>DATE</p> <p>CH. NO.</p> <p>DRAFTS</p> <p>CHECKER</p> <p>ENG. APP.</p> <p>SCALE:</p> <p>TOLERANCES</p> <p>MAXIMUM ALLOWABLE TOLERANCES HAVE BEEN DETERMINED AND ANY DEVIATIONS WILL BE CAUSE FOR REJECTION. REMOVE ALL BURRS AND SHARP EDGES</p> <p>DEC. DIM. ±</p> <p>FRAC. DIM. ±</p> <p>ANGULAR DIM. ±</p>									