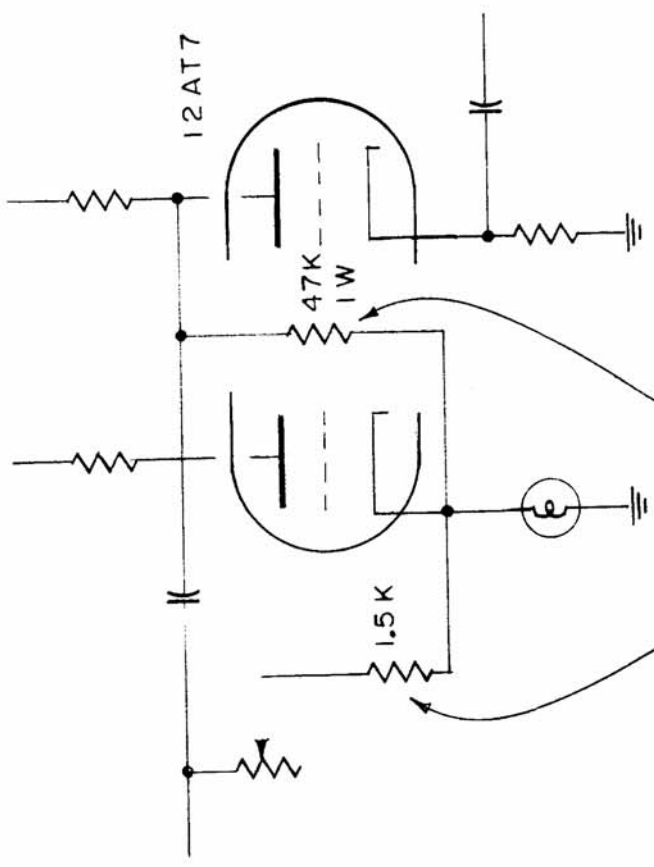


CK-313

USED ON

REQ. PER UNIT	MODEL	PROJECT NO.	ASS'Y. NO.	DATE
---------------	-------	-------------	------------	------

IF IT IS FOUND DESIRABLE TO CHANGE ANY TOLERANCE OR OTHER DETAIL SPECIFIED ON THIS DRAWING NOTIFY THE PURCHASER PROMPTLY.
 MAXIMUM ALLOWABLE TOLERANCES HAVE BEEN DETERMINED AND DEVIATIONS WILL BE CAUSE FOR REJECTION. REMOVE ALL BURRS AND SHARP EDGES



- TUBE SYMBOL
 V1
 V3
 V5
- SYMBOL
 R53
 R55
 R57

REQ. ITEM	PART NO.	DESCRIPTION	SYMBOL
		THE TECHNICAL MATERIEL CORP. MAMARONECK, NEW YORK	
STOCK SIZE		OSCILLATOR CIRCUIT	
MATERIAL	WEIGHT PER PC.	ADDITIONAL RSC-2	
TYPE & TEMPER		000 9/1K5	K2
HEAT TREAT. SPEC.		DRAWN	M.H.S.
FINISH & SPEC. NO.		ELEC. DES. APP.	MECH. DES. APP.
		Checked	A.J.J.
			FINAL APPROVAL
			CK-313

ISSUE ITEM	CHANGED FROM	DATE	CN. NO.	DRAFTS CHECKER	ENG. APP.
TOLERANCES					
SCALE					
DRILL, PUNCH, COMMERCIAL STOCK SIZES AND MANUFACTURERS TOLERANCES ARE NOT INCLUDED.					
ALL	DEC. DIM. ±				
OTHERS	FRAC. DIM. ±				
	ANGULAR DIM. ±				