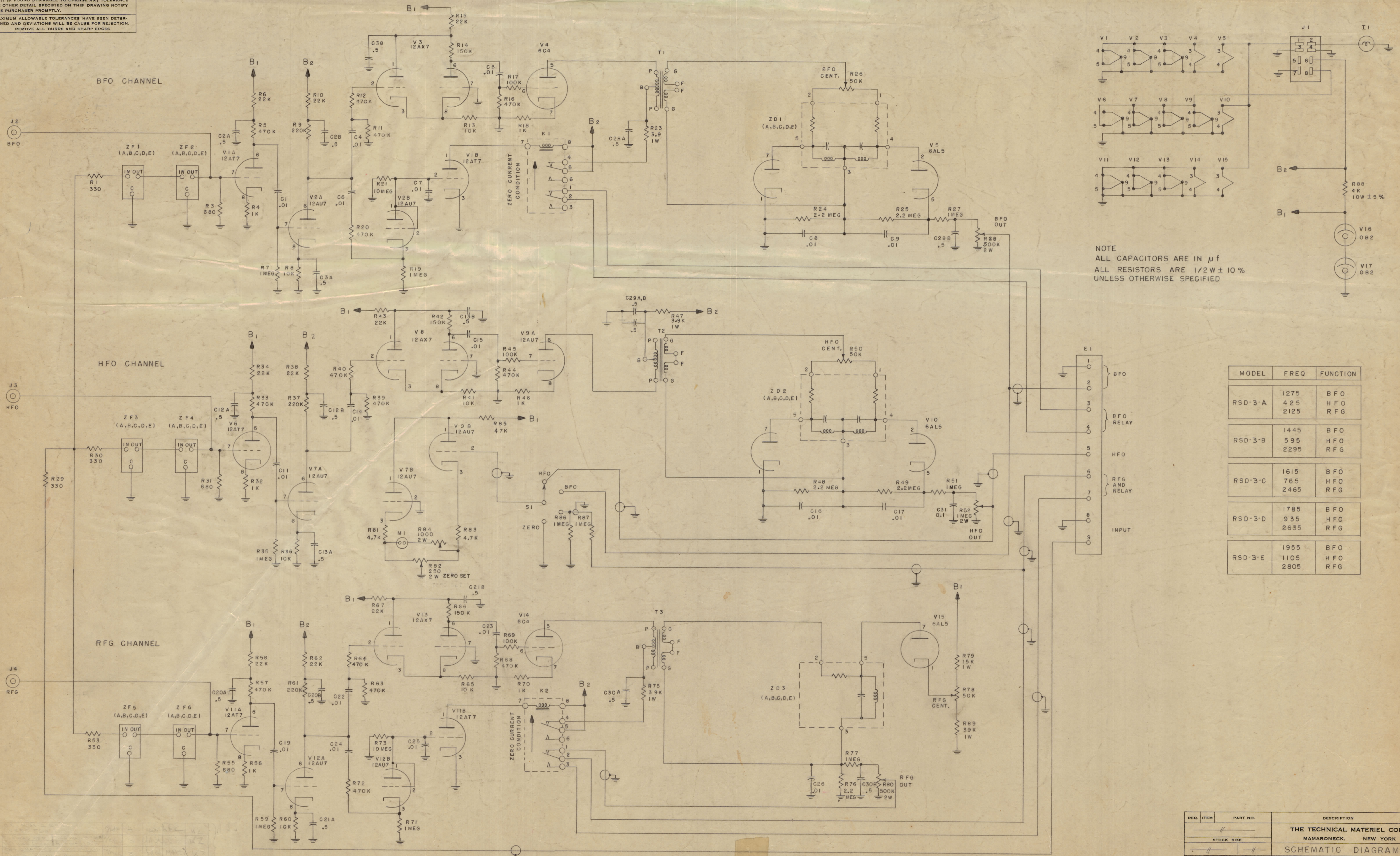


IF IT IS FOUND DESIRABLE TO CHANGE ANY TOLERANCE OR OTHER DETAIL SPECIFIED ON THIS DRAWING NOTIFY THE PURCHASER PROMPTLY.
 MAXIMUM ALLOWABLE TOLERANCES HAVE BEEN DETERMINED AND DEVIATIONS WILL BE CAUSE FOR REJECTION. REMOVE ALL BURRS AND SHARP EDGES



NOTE
 ALL CAPACITORS ARE IN μf
 ALL RESISTORS ARE $1/2W \pm 10\%$
 UNLESS OTHERWISE SPECIFIED

MODEL	FREQ	FUNCTION
RSD-3-A	1275	BFO
	425	HFO
	2125	RFG
RSD-3-B	1445	BFO
	595	HFO
	2295	RFG
RSD-3-C	1615	BFO
	765	HFO
	2465	RFG
RSD-3-D	1785	BFO
	935	HFO
	2635	RFG
RSD-3-E	1955	BFO
	1105	HFO
	2805	RFG

ISSUE	ITEM	CHANGED FROM	DATE	CN. NO.	DRAFTS	CHECKER	ENG. APP.
A	1	ON PICT. C29A, B WAS C49A, B	11-18-64	12962	22		

TOLERANCES
 SCALE: 1:1

ALL DIM. \pm
 DEC. DIM. \pm
 PRAC. DIM. \pm
 ANGULAR DIM. \pm

DRILL PUNCH, COMMERCIAL STOCK
 SIZES AND MANUFACTURERS
 TOLERANCES ARE NOT INCLUDED.

RSD-3	PROJECT NO.	ASSY. NO.	10-14-58
MODEL	DATE	USE ON	

REQ. ITEM	PART NO.	DESCRIPTION	SYMBOL
THE TECHNICAL MATERIEL CORP. MAMARONECK, NEW YORK			
SCHEMATIC DIAGRAM			
RSD-3 (A,B,C,D,E)			
DRAWN: <i>hlo</i> ELEC. DES. APP. MECH. DES. APP.			
HEAT TREAT. SPEC. CHECKED: <i>hlo</i> FINAL APPROVAL: <i>CR</i>			
FINISH & SPEC. NO. CR469 CK-375 A			

CK-375 A