

5

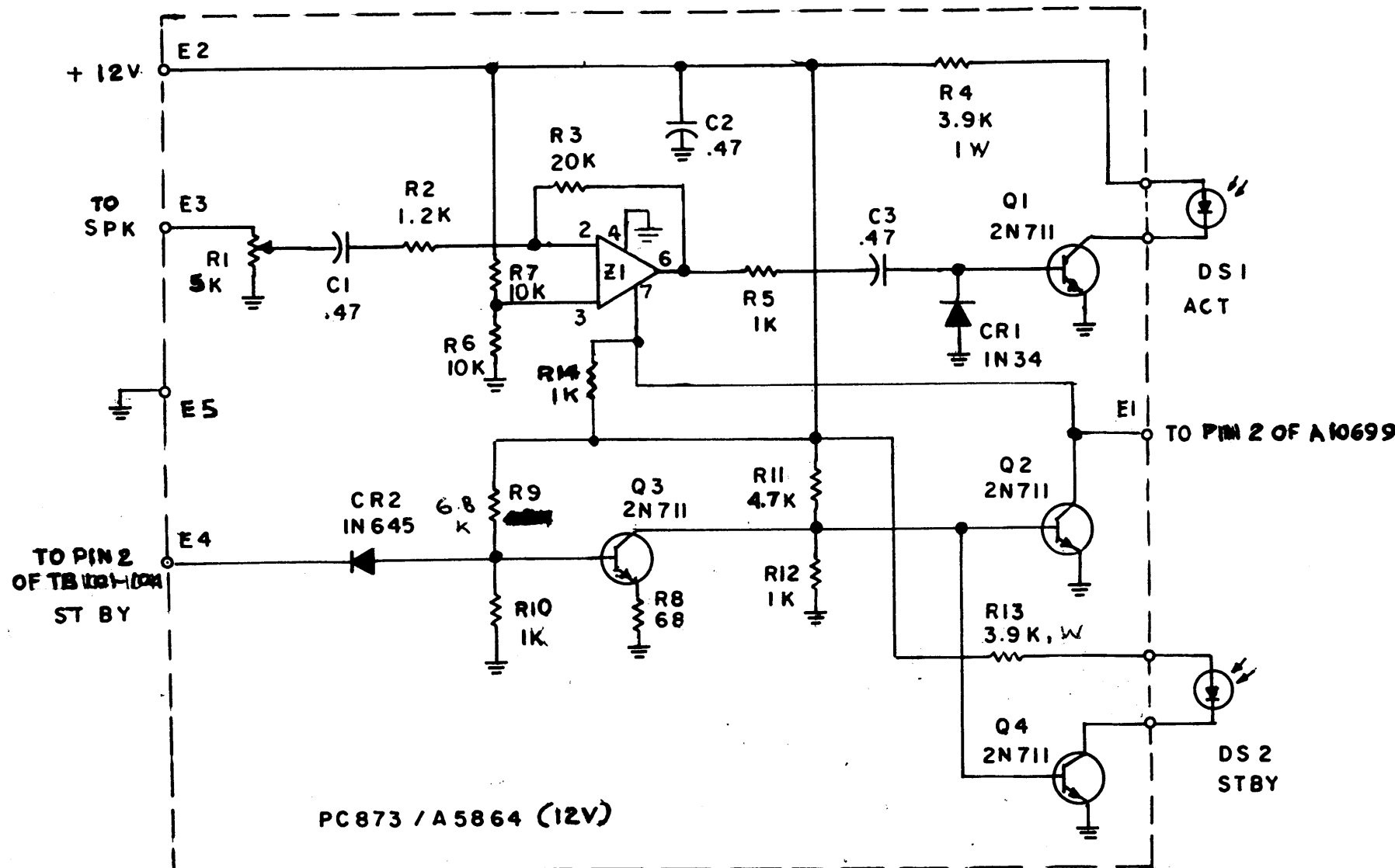
4

3

2

1

REVISIONS						
E.M.N. NO.	DRAFT	CHKD	ZONE	LTR	DESCRIPTION	DATE
	G.D.L.			Ø	ORIGINAL RELEASE FOR PRODUCT.	1-26-93



ALL RESISTOR ARE IN OHM 1/4W  
ALL CAPACITOR ARE IN MICROFARAD

BSP-75		
QTY / UNIT	MODEL USED ON	ASS'Y NO.
APPLICATION		
CODE		

**NOTICE TO PERSONS RECEIVING THIS DRAWING**  
THE TECHNICAL MATERIEL CORPORATION claims proprietary right in the material disclosed hereon. This drawing is issued in confidence for engineering information only and may not be reproduced or used to manufacture anything shown hereon without permission from THE TECHNICAL MATERIEL CORPORATION to the user. This drawing is loaned for mutual assistance and is subject to recall at any time.

UNLESS OTHERWISE SPECIFIED DIMENSIONS ARE IN INCHES AND INCLUDE CHEMICALLY APPLIED OR PLATED FINISHES

DECIMALS	FRACTIONS
.X ± .05	1/64
.XX ± .01	TOLS. ANGLES
.XXX ± .005	0° - 30'

MATERIAL  
FINISH

REQ'D	ITEM	PART NUMBER	DESCRIPTION	SYM.
LIST OF MATERIAL				
FINAL APPROVAL <i>GDR</i> DATE 1/25/93				
MECH. DES. DATE				
ELECT. DES. DATE				
CHECKED DATE				
DRAWN G.D.L. DATE 1-26-93				
THE TECHNICAL MATERIEL CORP. MAMARONECK, NEW YORK				
SCHEMATIC DIAGRAM PC 873 (12V.IND. BD)				
SIZE	CODE IDENT. NO.	DWG NO.	ISSUE.	
B	82679	CK2322	Ø	
SCALE	SHEET		OF	