

5

4

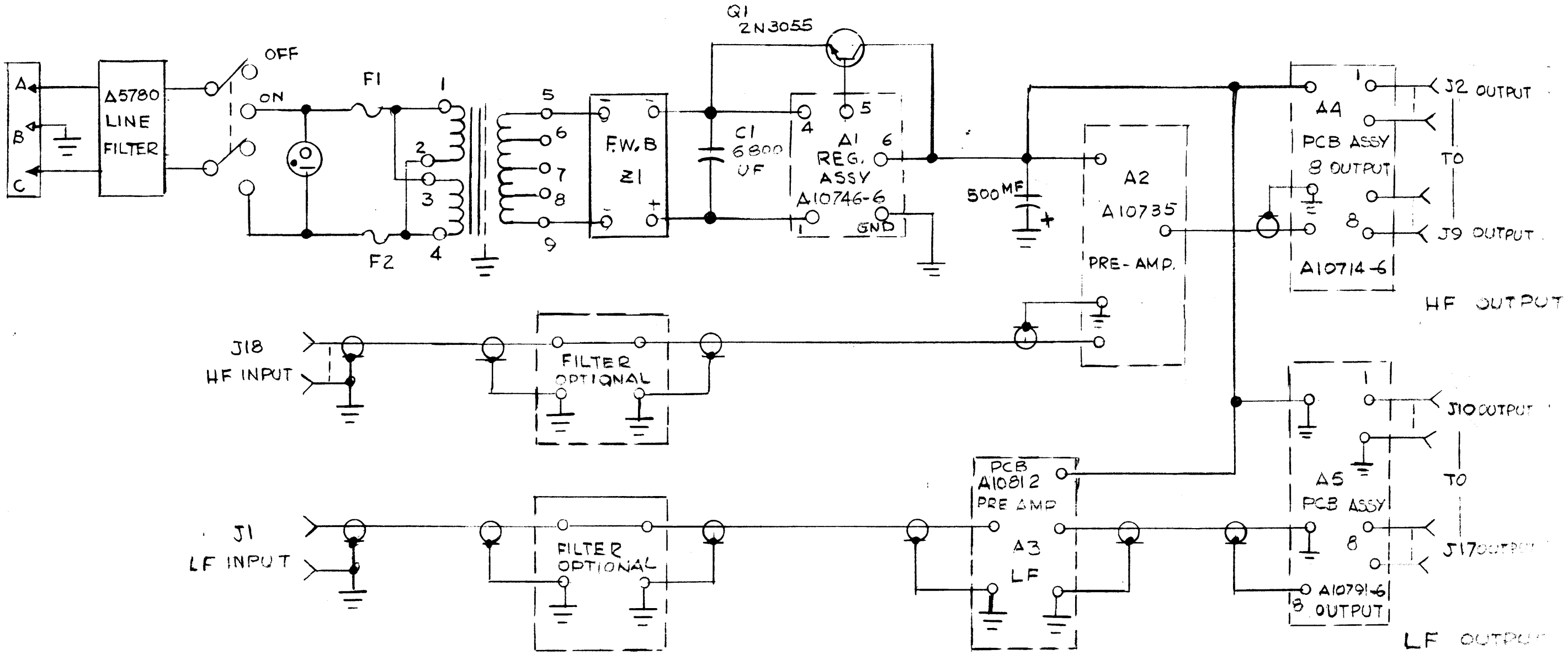
3

2

1

REVISIONS					DATE	APPROVED
E.M.N. NO.	DRAFT	CHKD	ZONE	LTR	DESCRIPTION	

J10
POWER IN
115/250
VAC



REQ'D	ITEM	PART NUMBER	DESCRIPTION	SYM.
LIST OF MATERIAL				
THE TECHNICAL MATERIEL CORP. MAMARONECK, NEW YORK				
SCHEMATIC DIAG. LF/HF DMC 2x8				
SIZE	CODE IDENT. NO.	DWG NO.	ISSUE	
B	82679	CK2318	1	
SCALE	SHEET		OF	

QTY / UNIT		MODEL USED ON	ASS'Y NO.
APPLICATION			
CODE			
NOTICE TO PERSONS RECEIVING THIS DRAWING THE TECHNICAL MATERIEL CORPORATION claims proprietary right in the material disclosed hereon. This drawing is issued in confidence for engineering information only and may not be reproduced or used to manufacture anything shown hereon without permission from THE TECHNICAL MATERIEL CORPORATION to the user. This drawing is loaned for mutual assistance and is subject to recall at any time.			

UNLESS OTHERWISE SPECIFIED DIMENSIONS ARE IN INCHES AND INCLUDE CHEMICALLY APPLIED OR PLATED FINISHES		FINAL APPROVAL	DATE
DECIMALS	FRACTIONS		3/14/92
.X ± .05	1/64		MECH. DES.
.XX ± .01	TOLS. ANGLES		ELECT. DES.
.XXX ± .005	0° .30'	CHECKED	DATE
MATERIAL		DRAWN	DATE
FINISH		GULL	5/11/92

5

4

3

2

1