

5

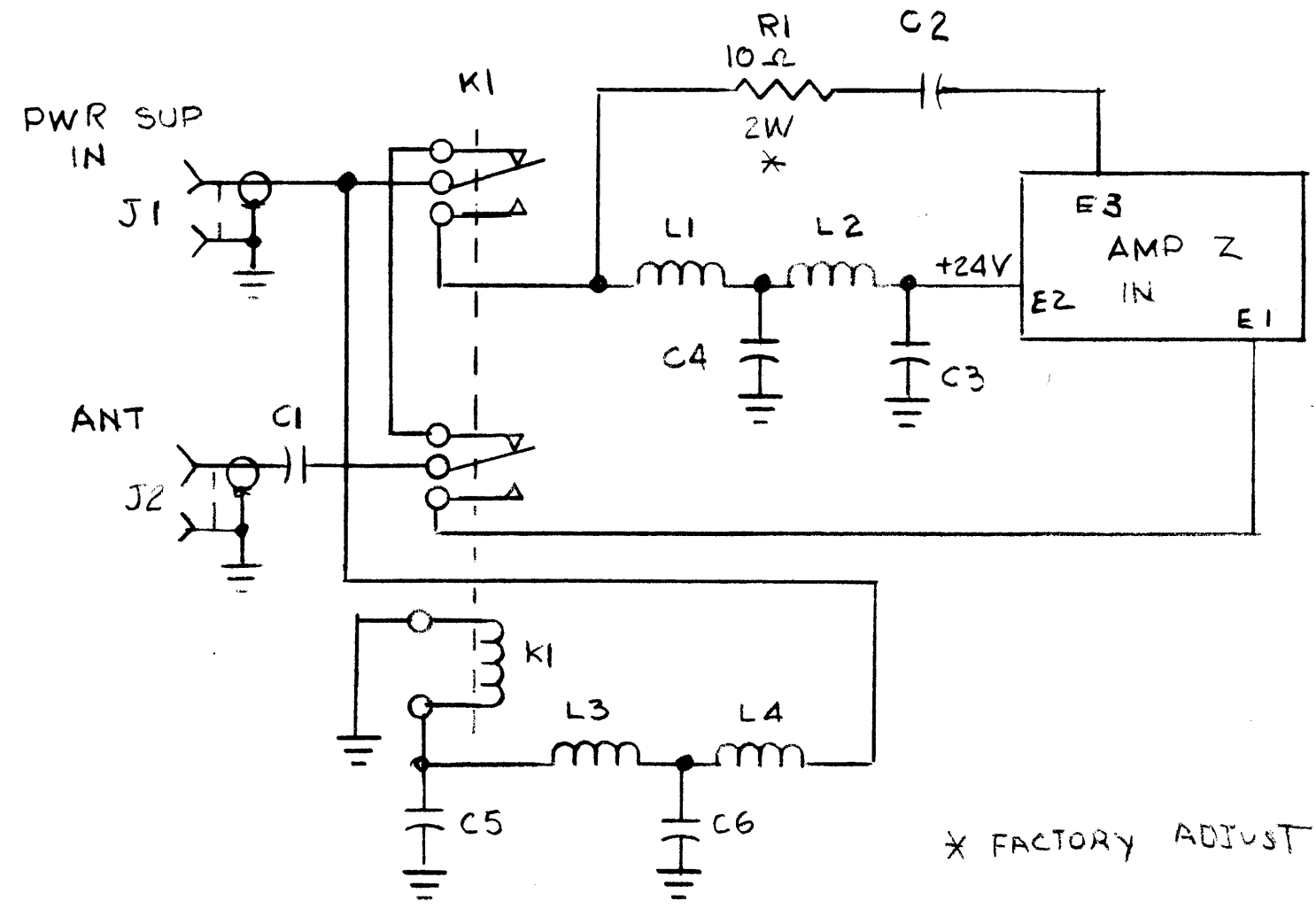
4

3

2

1

REVISIONS							
E.M.N. NO.	DRAFT	CHKD	ZONE	LTR	DESCRIPTION	DATE	APPROVED
	G.D.L.			Ø	ORIGINAL RELEASE FOR PRODUCTION	2-4-93	



	HF	LF	HF	LF	Z1	Z2
C1	.1 μ f	2.2 MF	L1 125MH	3 MH	HF	LF
C2	.1	2.2 MF	L2 125MH	3 MH	AX 5269	AX 5270
C3	.1	2.2 MF	L3 125MH	3 MH		
C4	.1	2.2 MF	L4 15UH	3 MH		
C5	.1	2.2 MF				
C6	.1 μ f	2.2 MF				

* FACTORY ADJUST

LF/VLF	VAA-1,2	A5881-1,3	UNLESS OTHERWISE SPECIFIED DIMENSIONS ARE IN INCHES AND INCLUDE CHEMICALLY APPLIED OR PLATED FINISHES
HF	VAA-2	A5881-2	
QTY / UNIT	MODEL USED ON	ASS'Y NO.	DECIMALS .X \pm .05 .XX \pm .01 .XXX \pm .005
APPLICATION			FRACTIONS 1/64 ANGLES 0°-90°
CODE			MATERIAL
NOTICE TO PERSONS RECEIVING THIS DRAWING THE TECHNICAL MATERIEL CORPORATION claims proprietary right in the material disclosed hereon. This drawing is issued in confidence for engineering information only and may not be reproduced or used to manufacture anything shown hereon without permission from THE TECHNICAL MATERIEL CORPORATION to the user. This drawing is loaned for mutual assistance and is subject to recall at any time.			FINISH

REQ'D	ITEM	PART NUMBER	DESCRIPTION	SYM.
LIST OF MATERIAL				
FINAL APPROVAL <i>G.D.L.</i> DATE 7/7/93				
MECH. DES. DATE				
ELECT. DES. DATE				
CHECKED DATE				
DRAWN <i>G.D.L.</i> DATE 3-17-92				
SIZE	CODE IDENT. NO.	DWG NO.	ISSUE	
B	82679	CK 2317	Ø	
SCALE	SHEET		OF	

THE TECHNICAL MATERIEL CORP.
MAMARONECK, NEW YORK

SCHEMATIC DIAG.
HF/LF ANT. AMPL.

NOTICE TO PERSONS RECEIVING THIS DRAWING
THE TECHNICAL MATERIEL CORPORATION claims proprietary right in the material disclosed hereon. This drawing is issued in confidence for engineering information only and may not be reproduced or used to manufacture anything shown hereon without permission from THE TECHNICAL MATERIEL CORPORATION to the user. This drawing is loaned for mutual assistance and is subject to recall at any time.

5

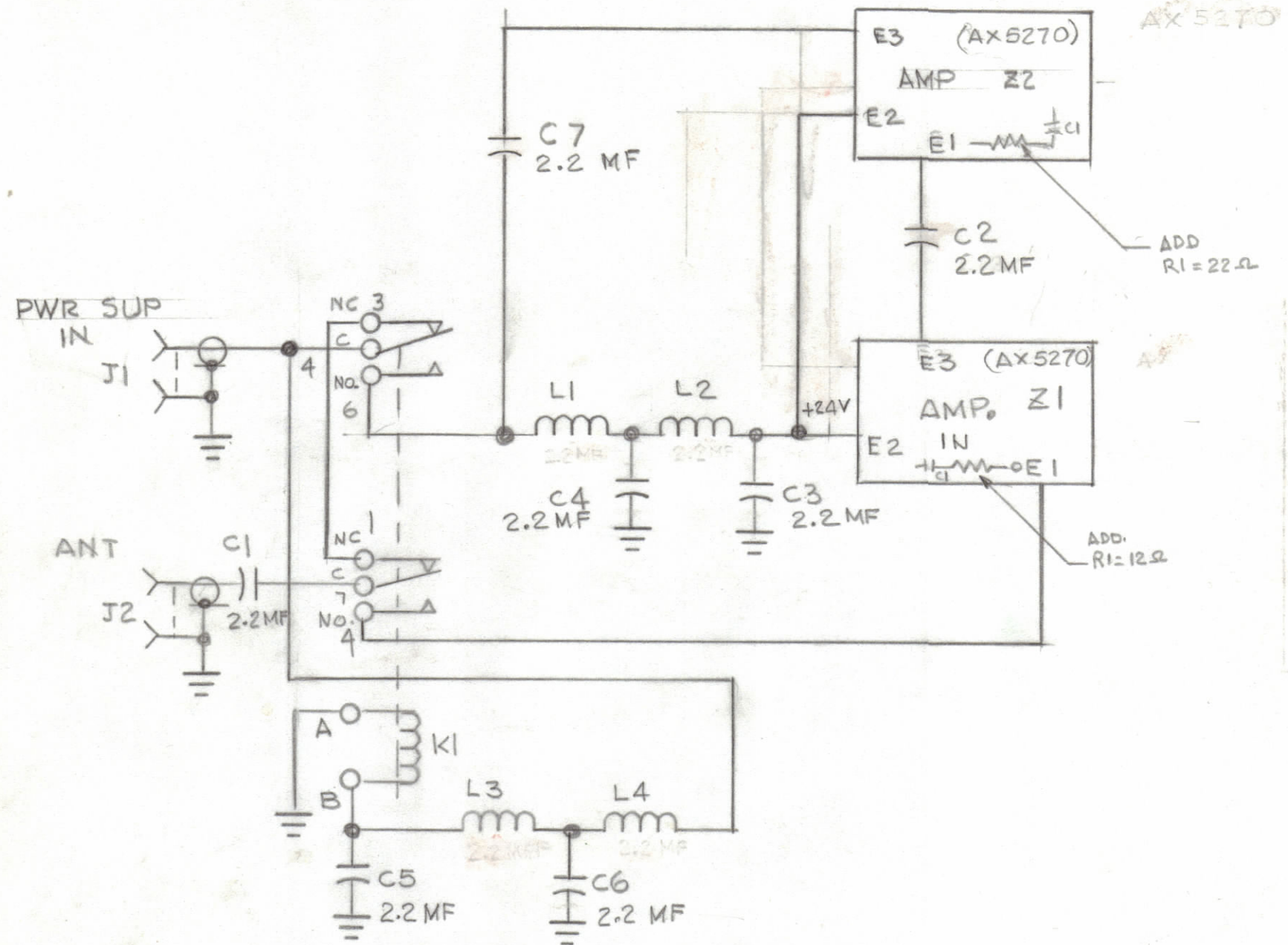
4

3

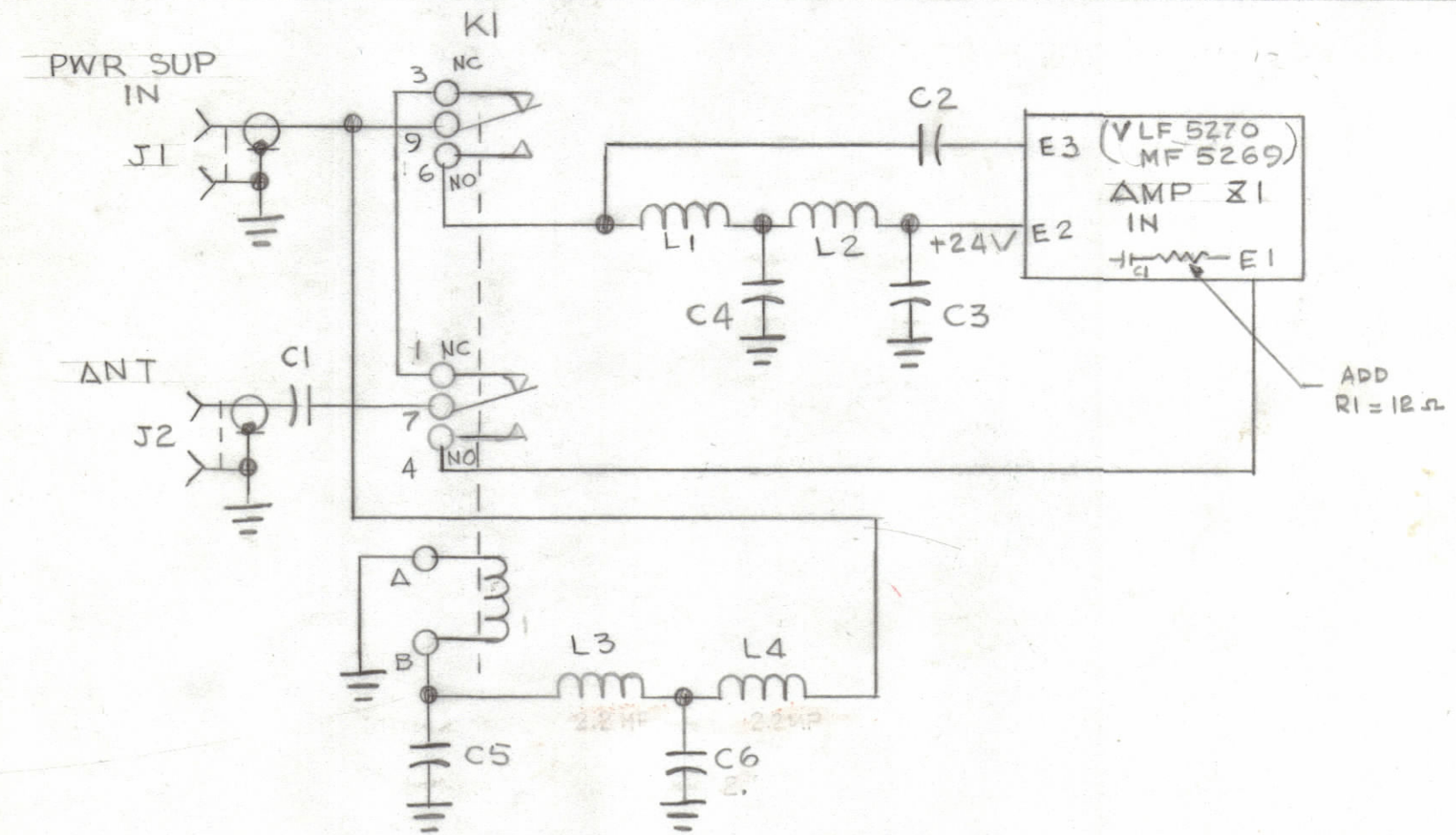
2

1

REVISIONS						
ZONE	LTR	DESCRIPTION	DATE	E.M.N.NO	DRAFT	CHKD APPD



HF	VLF	LF	Z1	Z2
DOUBLE AMPLIFIER VLF/LF (HIGH GAIN)				



HF	VLF	LF	HF	VLF	Z1	Z2
C1 .1 MF	2.2 MF	L1 125 μH	3 MH	L1	HF	LF
C2 .1	2.2 MF	L2 125 μH	3 MH	L2	AX 5269	AX 5270
C3 .1	2.2 MF	L3 125 μH	3 MH	L3		
C4 .1	2.2 MF	L4 125 μH	3 MH	L4		
C5 .1	2.2 MF					
C6 .1 MF	2.2 MF					

SINGLE AMPLIFIER
HF, VLF/LF

AX 5273, 5272, 5281
A 5281

QTY / UNIT	MODEL USED ON	ASS'Y NO.
APPLICATION		
CODE		

NOTICE TO PERSONS RECEIVING THIS DRAWING
THE TECHNICAL MATERIEL CORPORATION claims proprietary right in the material disclosed hereon. This drawing is issued in confidence for engineering information only and may not be reproduced or used to manufacture anything shown hereon without permission from THE TECHNICAL MATERIEL CORPORATION to the user. This drawing is loaned for mutual assistance and is subject to recall at any time.

UNLESS OTHERWISE SPECIFIED DIMENSIONS ARE IN INCHES AND INCLUDE CHEMICALLY APPLIED OR PLATED FINISHES

TOLERANCES ON

DECIMALS	FRACTIONS
.X ± .05	± 1/64
.XX ± .01	ANGLES
.XXX ± .005	± 0°-30'

MATERIAL

FINISH

QTY. REQ.	ITEM	PART NO.	DESCRIPTION	SYMBOL
LIST OF MATERIAL				
THE TECHNICAL MATERIEL CORP. MAMARONECK, NEW YORK				
SCHEMATIC DIAGRAM HF-LF VLF ANT AMPL.				
SCALE	CODE IDENT. NO.	DWG NO.	ISSUE	
C	82679	CK2317 -	A	
DATE			DATE	
G. D. E. L.			12-28-92	
FINAL APPROVAL			DATE	
MECH. DES.			DATE	
ELECT. DES.			DATE	
CHECKED			DATE	
DRAWN			DATE	
MATERIAL			DATE	
FINISH			DATE	