

5

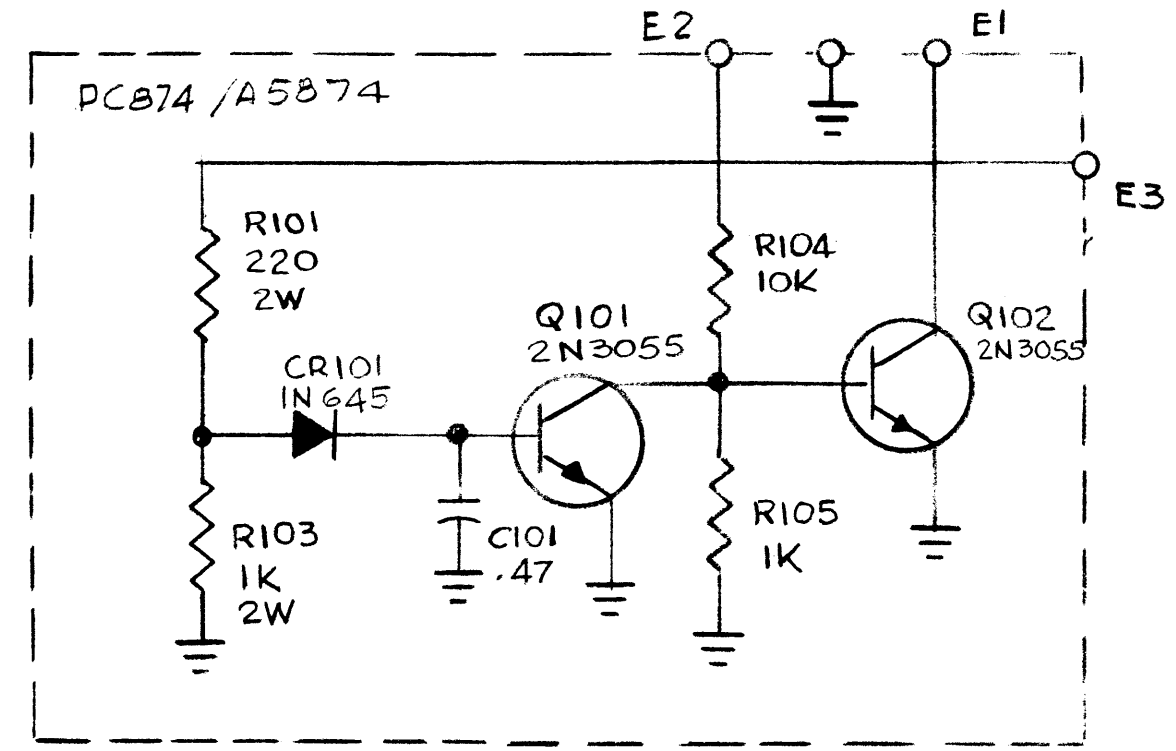
4

3

2

1

REVISIONS							
E.M.N. NO.	DRAFT	CHKD	ZONE	LTR	DESCRIPTION	DATE	APPROVED
	GDL			Ø	ORIGINAL RELEASE FOR PRODUCTION	3-19-91	<i>[Signature]</i>



REF: CK 2314

1	PAL-16	AX5268
QTY / UNIT	MODEL USED ON	ASS'Y NO.
APPLICATION		
	CODE	

NOTICE TO PERSONS RECEIVING THIS DRAWING
 THE TECHNICAL MATERIEL CORPORATION claims proprietary right in the material disclosed hereon. This drawing is issued in confidence for engineering information only and may not be reproduced or used to manufacture anything shown hereon without permission from THE TECHNICAL MATERIEL CORPORATION to the user. This drawing is loaned for mutual assistance and is subject to recall at any time.

UNLESS OTHERWISE SPECIFIED DIMENSIONS ARE IN INCHES AND INCLUDE CHEMICALLY APPLIED OR PLATED FINISHES	
DECIMALS .X ± .05 .XX ± .01 .XXX ± .005	FRACTIONS 1/64 ANGLES 0° .30'
MATERIAL	
FINISH	

REQ'D	ITEM	PART NUMBER	DESCRIPTION	SYM.
LIST OF MATERIAL				
FINAL APPROVAL <i>[Signature]</i> DATE 3/19/91				
MECH. DES. DATE				
ELECT. DES. DATE				
CHECKED DATE				
DRAWN G.D.L. DATE 1-24-91				
SIZE	CODE IDENT. NO.	DWG NO.	ISSUE	
B	82679	CK2314	Ø	
SCALE	SHEET		OF	

THE TECHNICAL MATERIEL CORP.
 MAMARONECK, NEW YORK

SCHEMATIC DIAG.
 BY PASS CONTROL (UHF)

5

4

3

2

1