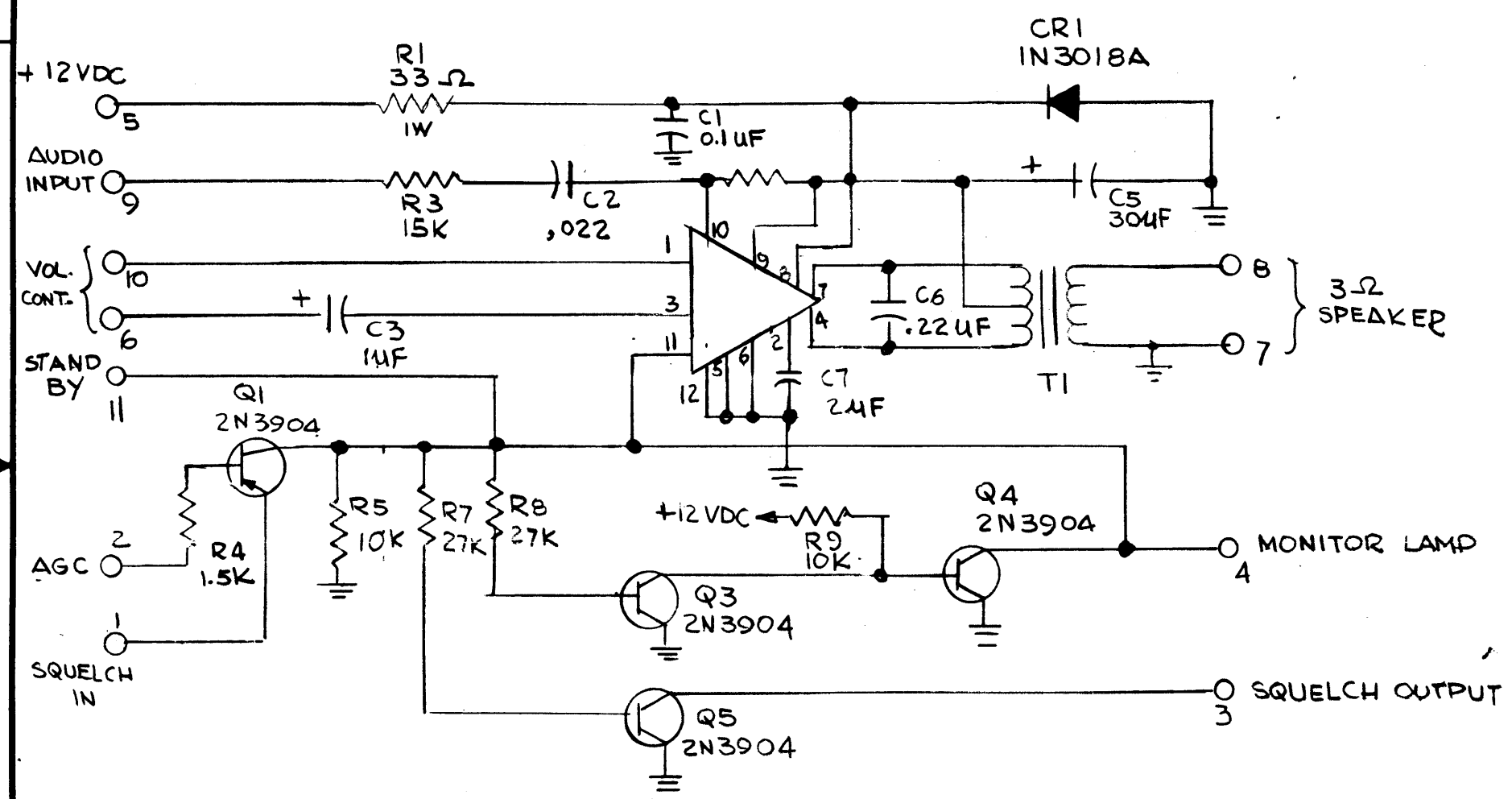


REVISIONS							
E.M.N. NO.	DRAFT	CHKD	ZONE	LTR	DESCRIPTION	DATE	APPROVED
	GDL				ORIGINAL RELEASE FOR PROD.	1-3-90	



UNLESS OTHERWISE SPECIFIED  
ALL RESISTORS 1/2 WATT.

QTY / UNIT	MODEL USED ON	ASS'Y NO.
	BSP-7S	
APPLICATION		
	CODE	

**NOTICE TO PERSONS RECEIVING THIS DRAWING**  
THE TECHNICAL MATERIEL CORPORATION claims proprietary right in the material disclosed hereon. This drawing is issued in confidence for engineering information only and may not be reproduced or used to manufacture anything shown hereon without permission from THE TECHNICAL MATERIEL CORPORATION to the user. This drawing is loaned for mutual assistance and is subject to recall at any time.

REQ'D	ITEM	PART NUMBER	DESCRIPTION	SYM.
REF: A106995				
LIST OF MATERIAL				
FINAL APPROVAL		DATE	THE TECHNICAL MATERIEL CORP.	
MECH. DES.		DATE	MAMARONECK, NEW YORK	
ELECT. DES.		DATE	SCHEMATIC, AF MONITOR BD	
CHECKED		DATE		
DRAWN		DATE		
G.D.L.		12-6-89	SIZE	ISSUE
			B	
			CODE IDENT. NO.	
			82679	
			DWG NO.	
			CK 2306	
			SCALE	SHEET OF