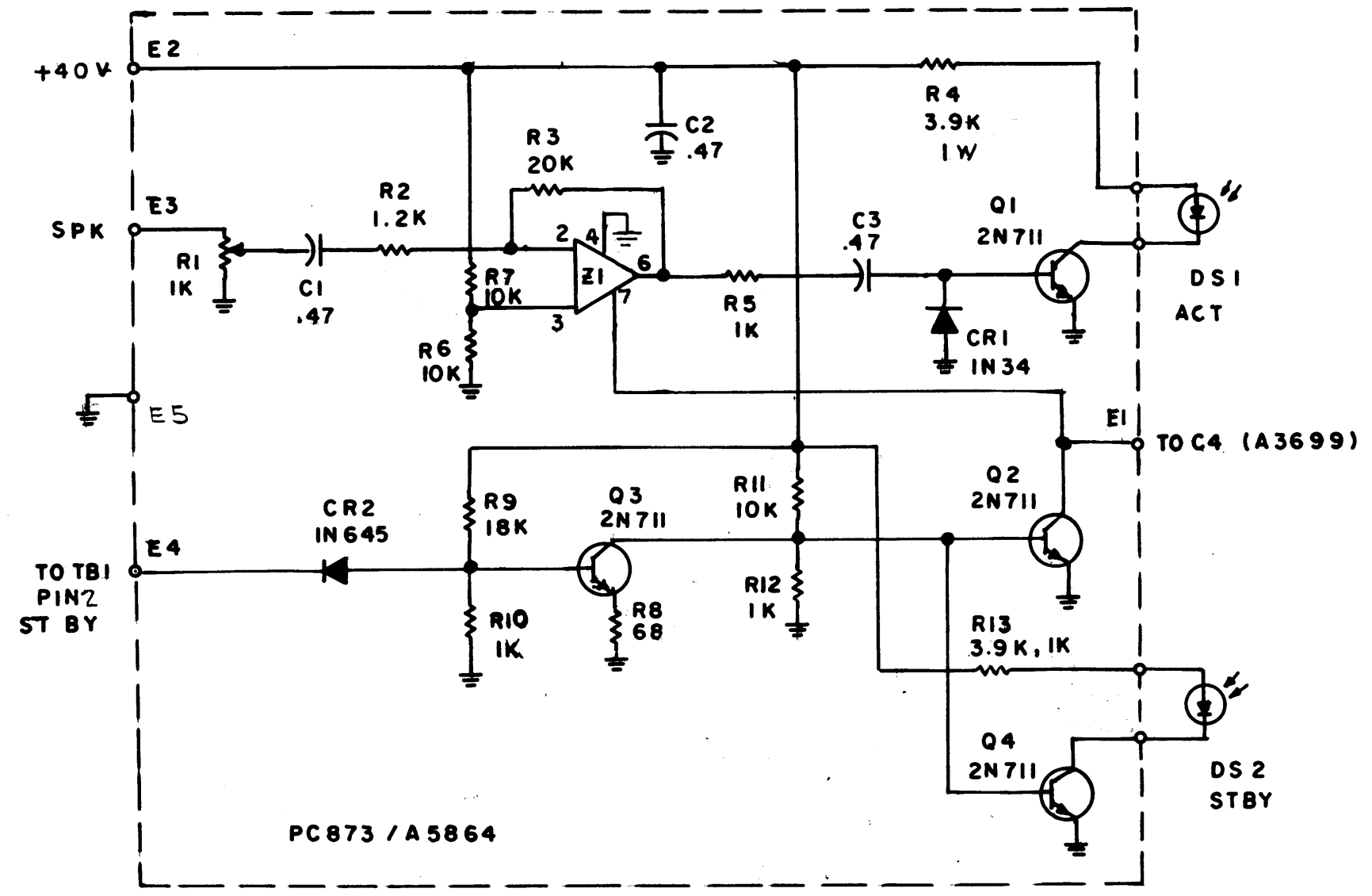


REVISIONS							
E.M.N. NO.	DRAFT	CHKD	ZONE	LTR	DESCRIPTION	DATE	APPROVED
	GDL			Ø	ORIGINAL RELEASE FOR PRODUCTION	6-27-89	



ALL RESISTOR ARE IN OHM 1/4W  
ALL CAPACITOR ARE IN MICROFARAD

PC873 / A5864

1,2		
BSP-3DS		
QTY / UNIT	MODEL USED ON	ASS'Y NO.
APPLICATION		
CODE		
NOTICE TO PERSONS RECEIVING THIS DRAWING THE TECHNICAL MATERIEL CORPORATION claims proprietary right in the material disclosed hereon. This drawing is issued in confidence for engineering information only and may not be reproduced or used to manufacture anything shown hereon without permission from THE TECHNICAL MATERIEL CORPORATION to the user. This drawing is loaned for mutual assistance and is subject to recall at any time.		

UNLESS OTHERWISE SPECIFIED DIMENSIONS ARE IN INCHES AND INCLUDE CHEMICALLY APPLIED OR PLATED FINISHES		FINAL APPROVAL	DATE
DECIMALS .X ± .05 .XX ± .01 .XXX ± .005		G.D.L.	6/27/89
FRACTIONS 1/64 ANGLES 0° - 30°			DATE
MATERIAL		ELECT. DES.	DATE
FINISH		CHECKED	DATE
		DRAWN	DATE
		G.D.L.	5-30-89

REQ'D	ITEM	PART NUMBER	DESCRIPTION	SYM.
LIST OF MATERIAL				
THE TECHNICAL MATERIEL CORP. MAMARONECK, NEW YORK				
SCHEMATIC DIAGRAM PC 873				
SIZE	CODE IDENT. NO.	DWG NO.	ISSUE	
B	82679	CK2301	Ø	
SCALE	SHEET		OF	