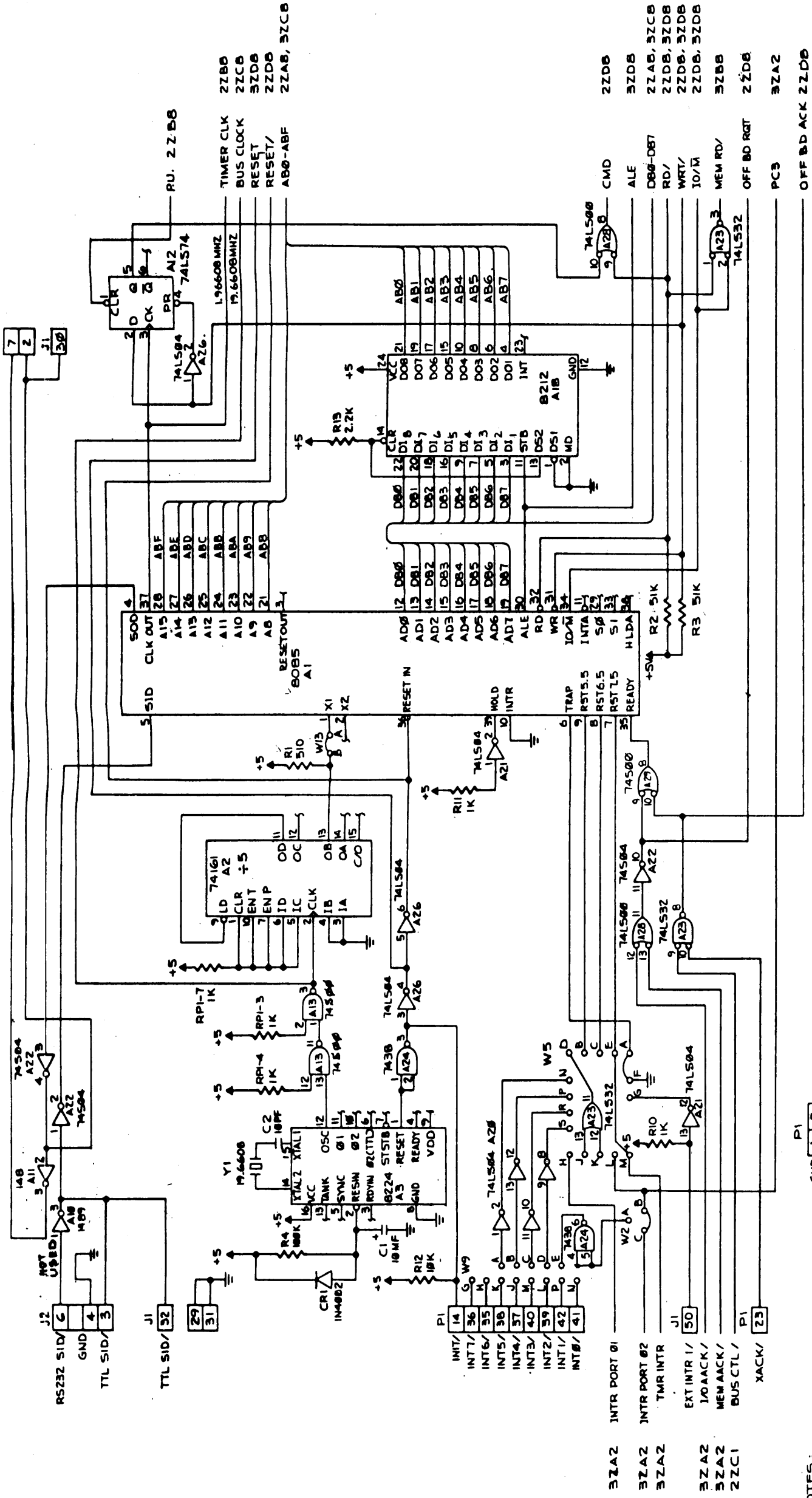


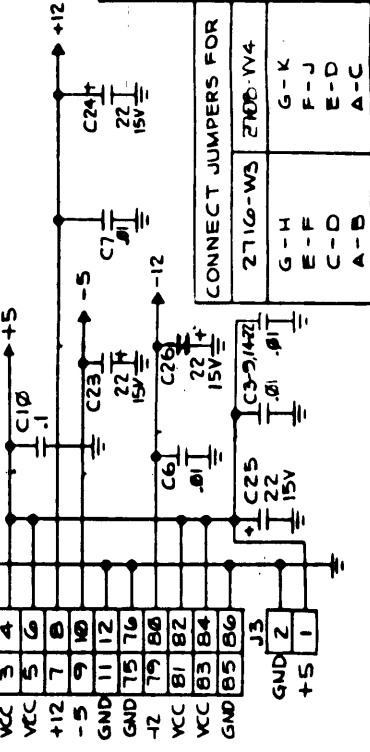


CK2207 X

USED ON UNIT	DATE
DPC-10	7-26-78



NOTES:  
 1. RESISTANCE VALUES ARE IN OHMS  
 1K, ±5%, 1/4 W.  
 2. CAPACITANCE VALUES ARE IN MICROFARADS  
 .01UF, ±5%.



CONNECT JUMPERS FOR	2716-W3	2700-W4	G-K	F-J	E-D	A-B

LIST USED	NOT USED	TYPE	REF DES	QTY	SPARE	GATES
74LS00		A13		2		
74LS00		A25		1		

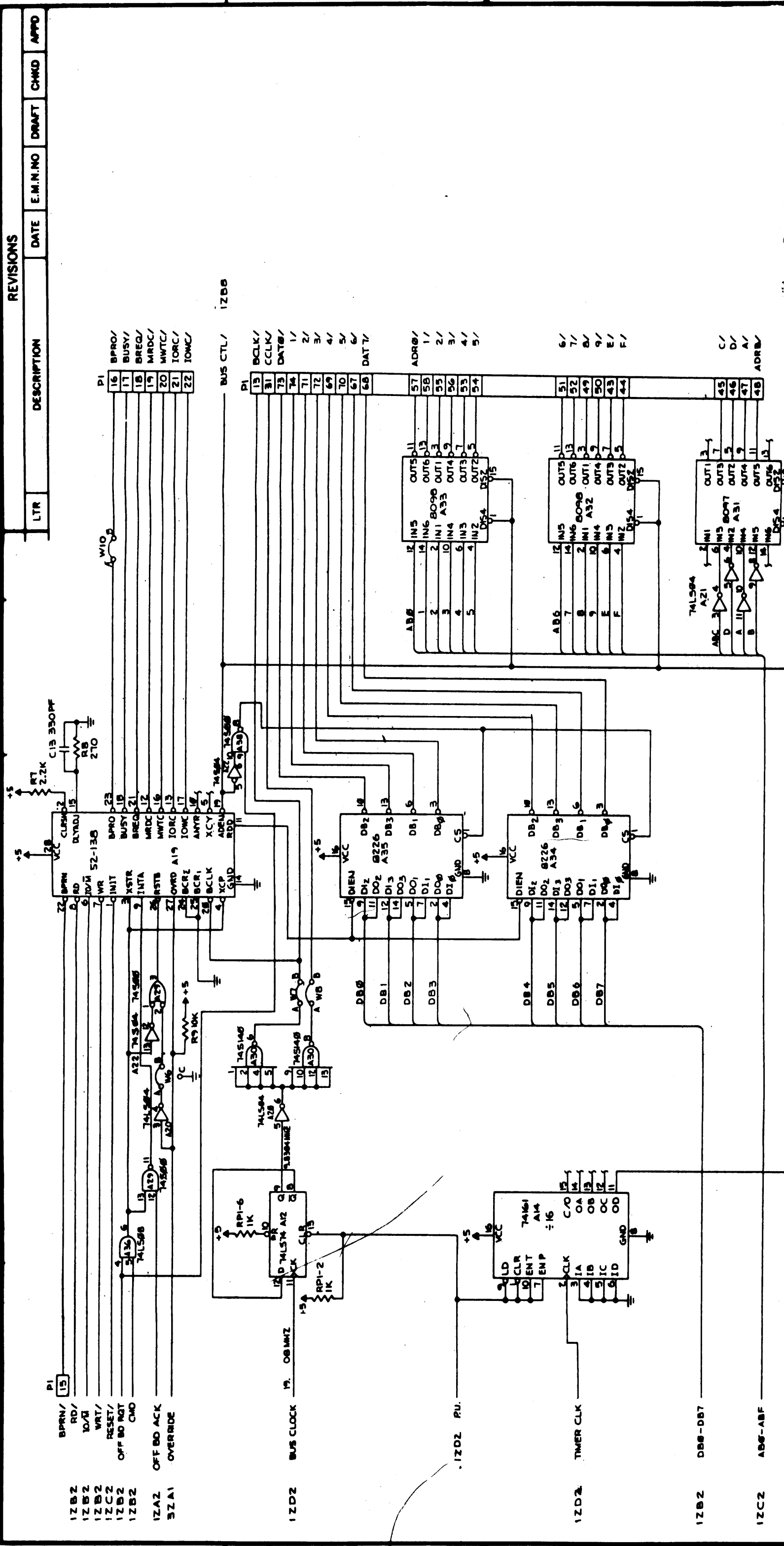
REQ'D ITEM	PART NUMBER	DESCRIPTION	SYM.

FINAL APPROVAL	DATE
MECH. DES.	
ELECT. DES.	
CHECKED	
DRAWN	

LIST OF MATERIAL  
 THE TECHNICAL MATERIEL CORP.  
 MAMARONECK, NEW YORK  
 DIAGRAM, SCHEMATIC  
 SINGLE BOARD COMPUTER  
 80/05

SIZE B  
 CODE IDENT. NO. CK 2207  
 DWG NO. CK 2207  
 ISSUE X

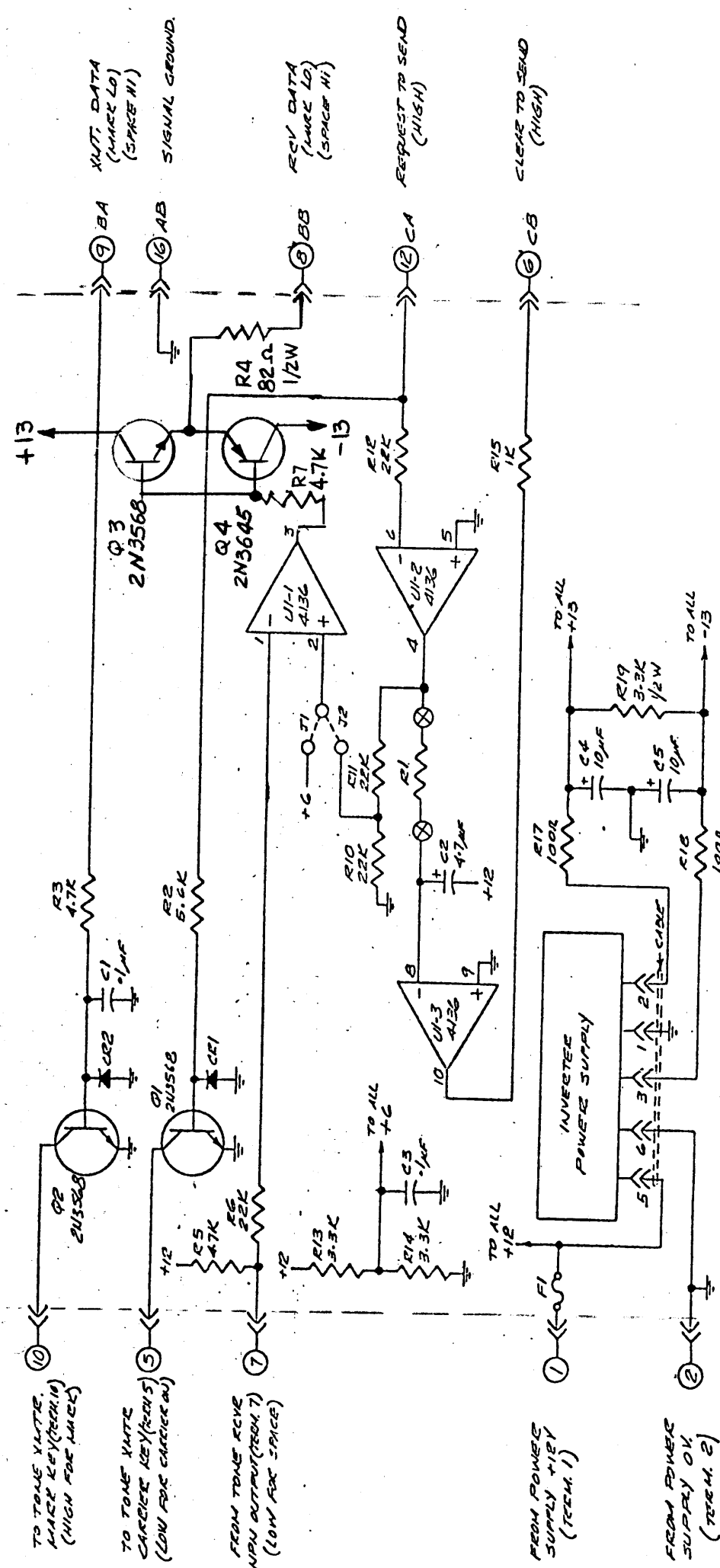
SCALE SHEET 1 OF 3



REVISIONS		DATE	E.M.N.NO	DRAFT	CHKD	APPD
DESCRIPTION						
LTR						
THE TECHNICAL MATERIEL CORP. MAMARONECK, NEW YORK						
DIAGRAM, SCHEMATIC SINGLE BOARD COMPUTER		80/05				
SIZE	CODE IDENT. NO.	DWG NO.	ISSUE			
B	82679	CK2207	X			
DPC-10	MODEL	ASS'Y NO	DATE	SCALE		
			7-26-78	SHEET 2 OF 3		
			2	1		
				5		



E.M.N. NO		DRAFT		CHKD	ZONE	LTR	REVISIONS		DATE	APPROVED
							DESCRIPTION			



REQ'D ITEM	PART NUMBER	DESCRIPTION	SYM.
LIST OF MATERIAL			
THE TECHNICAL MATERIEL CORP. MAMARONECK, NEW YORK			
DRS 232 INTERFACE MODULE SCHEMATIC DIAGRAM			
SIZE	CODE IDENT. NO.	DWG NO.	ISSUE
B	82679	CK2209	X
SCALE	SHEET	OF	
		1	

UNLESS OTHERWISE SPECIFIED DIMENSIONS ARE IN INCHES AND INCLUDE CHEMICALLY APPLIED OR PLATED FINISHES		DATE
FINAL APPROVAL	MECH. DES.	
ELECT. DES.	CHECKED	
DRAWN	G.D.L.	7-25-70
DECIMALS		FRACTIONS
X ± .05	1/64	
.XX ± .01	ANGLES	
.XXX ± .005	90°	
MATERIAL		
FINISH		

QTY / UNIT MODEL USED ON ASSY NO.

APPLICATION

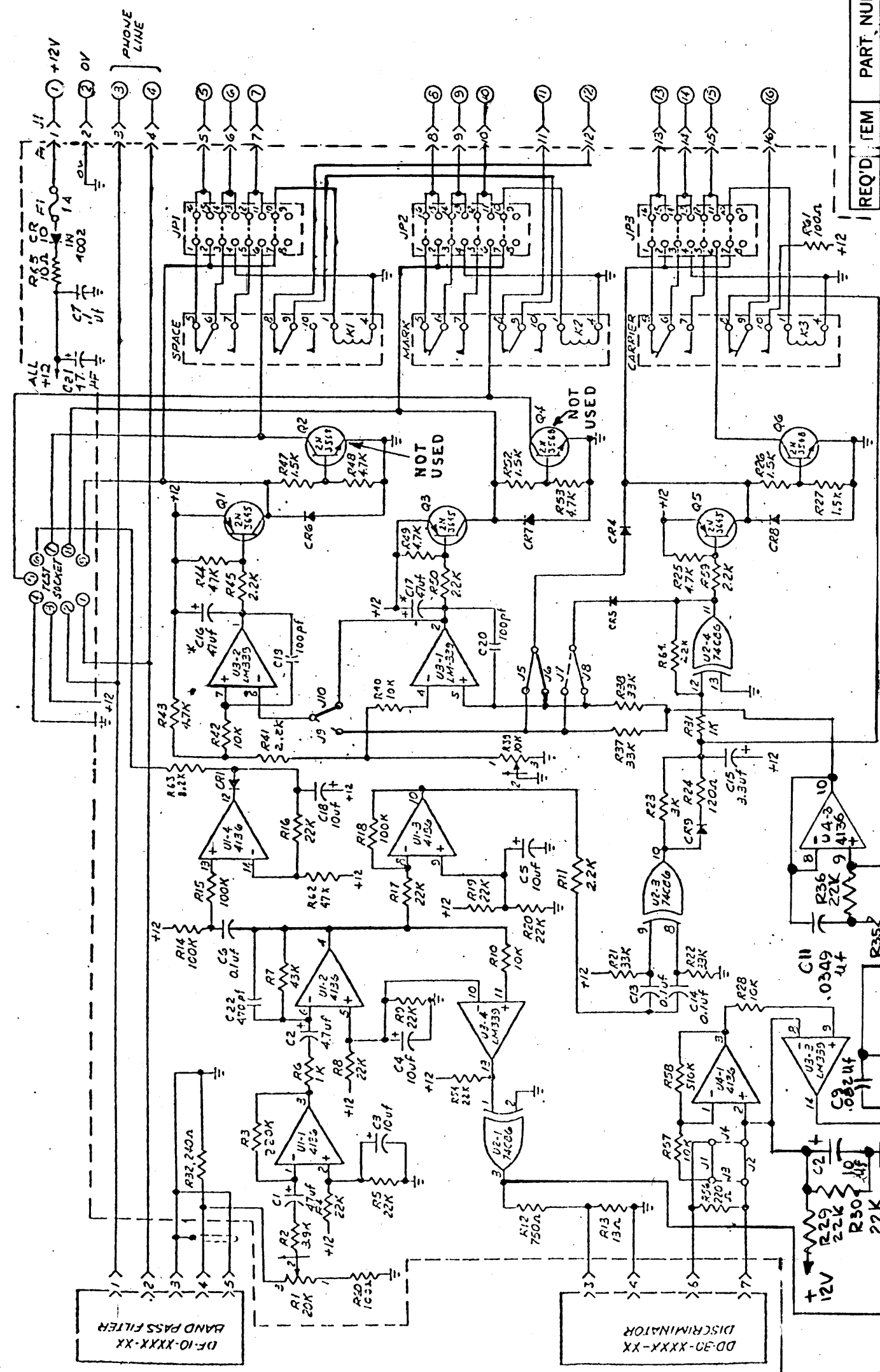
CODE

**NOTICE TO PERSONS RECEIVING THIS DRAWING**  
 THE TECHNICAL MATERIEL CORPORATION claims proprietary right in the material disclosed herein. This drawing is issued in confidence for engineering information only and may not be reproduced or used to manufacture anything shown hereon without permission from THE TECHNICAL MATERIEL CORPORATION to the user. This drawing is loaned for mutual assistance and is subject to recall at any time.

1 2 3 4 5

REVISIONS	DESCRIPTION	DATE	APPROVED
EM.N. NO.	DRAFT	CHKD	ZONE
LTR			

D C B A



NOTES:

- UNLESS OTHERWISE SPECIFIED:  
1-ALL RESISTORS ARE 1/4 W,  
ALL DIODES ARE IN914  
ALL RELAYS ARE ALLIED CONTROL  
12VDC-T154-2C
- Q1, Q3 & Q9 ARE 2N3645  
Q2, Q4 & Q6 ARE 2N3568
- \* C16 & C17 ARE USED ON DR-30 19 ONLY
- JP1, JP2 & JP3 ARE SHOWN IN RELAY  
OUTPUT POSITION
- K1, K2 & K3 ARE SHOWN DE-ENERGISED.

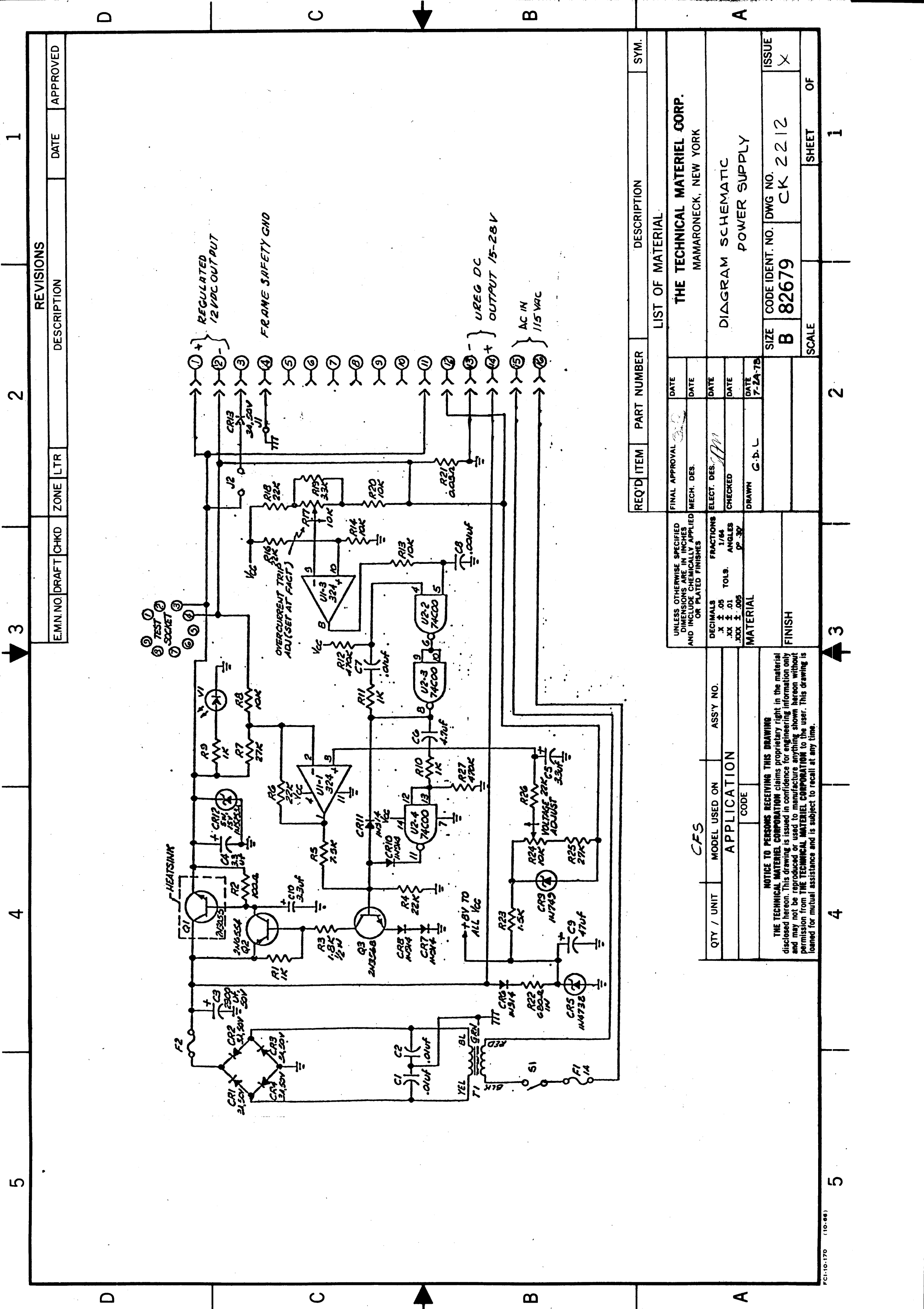
REQ'D	ITEM	PART NUMBER	DESCRIPTION	SYM.
LIST OF MATERIAL				
THE TECHNICAL MATERIEL CORP. MAMARONECK, NEW YORK				
F.S.K. RECEIVER SCHEMATIC DR 30				
SIZE	CODE IDENT. NO.	DWG NO.	ISSUE	
B	82679	CK 2210		
SCALE	SHEET	OF		
				1

DATE	DATE	DATE	DATE	DATE
FINAL APPROVAL	MECH. DES.	ELECT. DES.	CHECKED	DRAWN
				G.D.L.
UNLESS OTHERWISE SPECIFIED DIMENSIONS ARE IN INCHES AND INCLUDE CHEMICALLY APPLIED OR PLATED FINISHES				
DECIMALS .X ± .05				
FRACTIONS 1/64				
TOLS. .XX ± .01				
ANGLES .XXX ± .005				
MATERIAL				
FINISH				

QTY / UNIT	MODEL USED ON	ASSY NO.
APPLICATION		
CODE		

NOTICE TO PERSONS RECEIVING THIS DRAWING  
THE TECHNICAL MATERIEL CORPORATION claims proprietary right in the material  
disclosed hereon. This drawing is issued in confidence for engineering information only  
and may not be reproduced or used to manufacture anything shown hereon without  
permission from THE TECHNICAL MATERIEL CORPORATION to the user. This drawing is  
loaned for mutual assistance and is subject to recall at any time.

D C B A



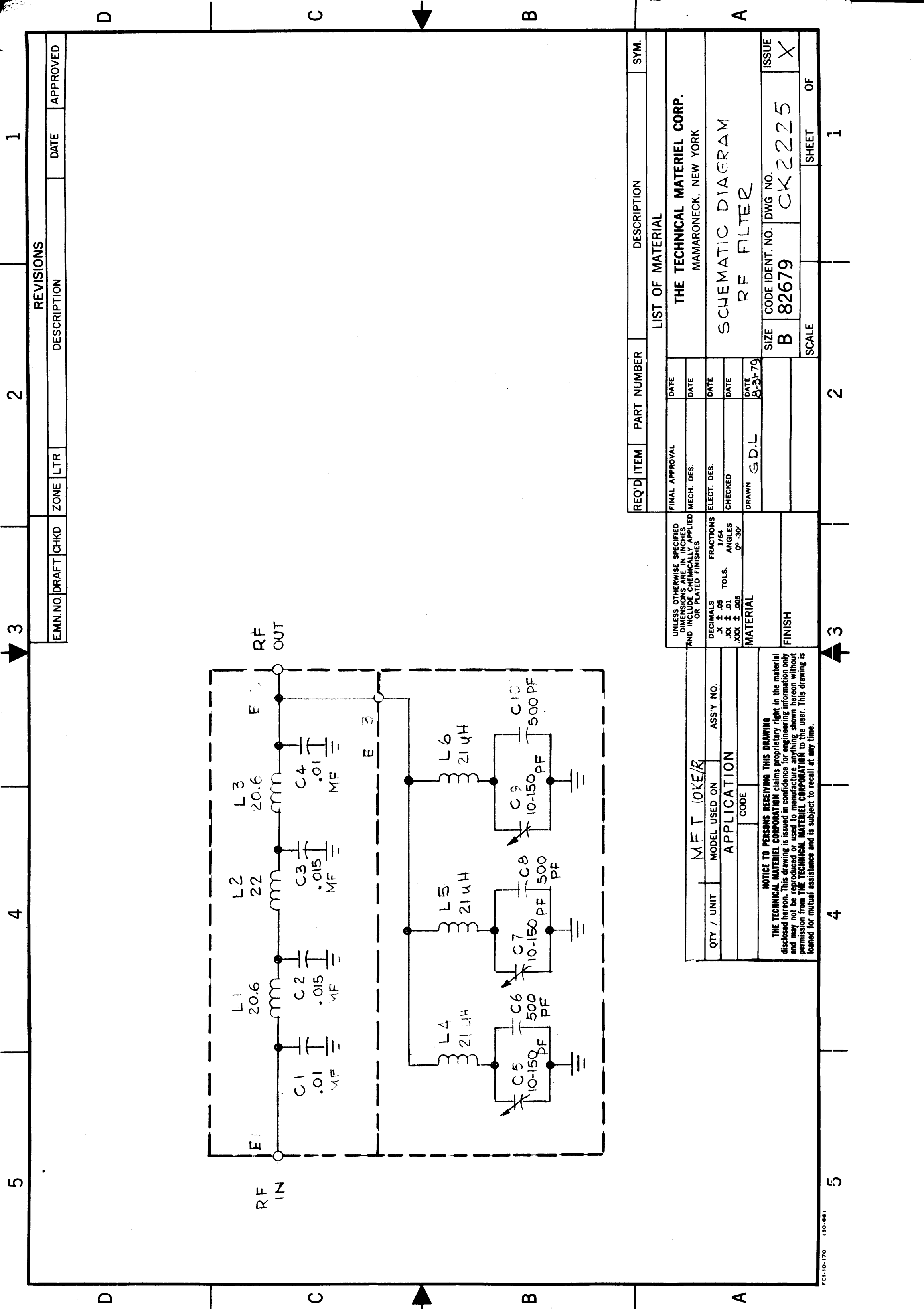
EM.N. NO.	DRAFT	CHKD	ZONE	LTR	DESCRIPTION	DATE	APPROVED

REVISIONS	1

REQ'D ITEM	PART NUMBER	DESCRIPTION	SYM.
LIST OF MATERIAL			
<b>THE TECHNICAL MATERIEL CORP.</b>			
MAMARONECK, NEW YORK			
DIAGRAM SCHEMATIC			
POWER SUPPLY			
SIZE	CODE IDENT. NO.	DWG NO.	ISSUE
B	82679	CK 2212	X
SCALE		SHEET	OF
		2	1

FINAL APPROVAL	DATE	UNLESS OTHERWISE SPECIFIED DIMENSIONS ARE IN INCHES AND INCLUDE CHEMICALLY APPLIED OR PLATED FINISHES	ASSY NO.
MECH. DES.	DATE	DECIMALS .X ± .05 .XX ± .01 .XXX ± .005	
ELECT. DES.	DATE	FRACTIONS 1/64 ANGLES PC .30	
CHECKED	DATE	MATERIAL	
DRAWN	DATE	FINISH	
G.D.L.	7-24-78		

**NOTICE TO PERSONS RECEIVING THIS DRAWING**  
 THE TECHNICAL MATERIEL CORPORATION claims proprietary right in the material disclosed hereon. This drawing is issued in confidence for engineering information only and may not be reproduced or used to manufacture anything shown hereon without permission from THE TECHNICAL MATERIEL CORPORATION to the user. This drawing is loaned for mutual assistance and is subject to recall at any time.



EM.N NO.	DRAFT	CHKD	ZONE	LTR	DESCRIPTION	DATE	APPROVED
----------	-------	------	------	-----	-------------	------	----------

REVISIONS	1
-----------	---

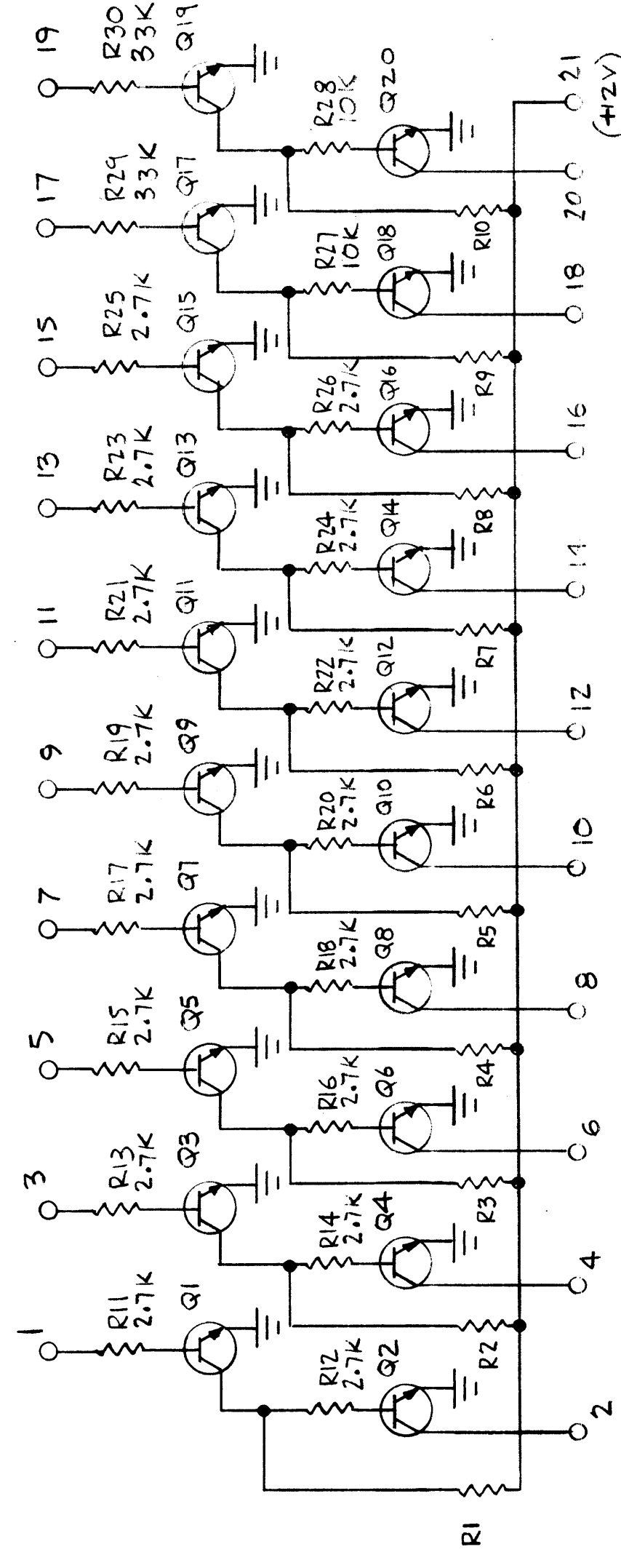
REQ'D ITEM	PART NUMBER	DESCRIPTION	SYM.
LIST OF MATERIAL			
THE TECHNICAL MATERIEL CORP. MAMARONECK, NEW YORK			
SCHEMATIC DIAGRAM RF FILTER			
FINAL APPROVAL	DATE	DATE	DATE
MECH. DES.			
ELECT. DES.			
CHECKED			
DRAWN	G.D.L.	8-3-79	
UNLESS OTHERWISE SPECIFIED DIMENSIONS ARE IN INCHES AND INCLUDE CHEMICALLY APPLIED OR PLATED FINISHES	DECIMALS	FRACTIONS	
	X ± .05	1/64	
	.XX ± .01	ANGLES	
	.XXX ± .005	0°-30°	
MATERIAL			
FINISH			
SIZE	CODE IDENT. NO.	DWG NO.	ISSUE
B	82679	CK2225	X
SCALE		SHEET	OF
		2	1

QTY / UNIT	MODEL USED ON	ASSY NO.
	MFT 10KE/R	
APPLICATION		
CODE		
<p>NOTICE TO PERSONS RECEIVING THIS DRAWING</p> <p>THE TECHNICAL MATERIEL CORPORATION claims proprietary right in the material disclosed hereon. This drawing is issued in confidence for engineering information only and may not be reproduced or used to manufacture anything shown hereon without permission from THE TECHNICAL MATERIEL CORPORATION to the user. This drawing is loaned for mutual assistance and is subject to recall at any time.</p>		



5 4 3 2 1

REVISIONS		DATE		APPROVED	
EM.N NO.	DRAFT CHKD	ZONE	LTR	DATE	APPROVED
	dev			7-9-80	
ORIGINAL RELEASE					



Q1 THRU Q20 ARE 2N3646

REQ'D ITEM	PART NUMBER	DESCRIPTION	SYM.
LIST OF MATERIAL			
THE TECHNICAL MATERIEL CORP. MAMARONECK, NEW YORK			
SCHEMATIC, DECODER INTERFACE			
SIZE	CODE IDENT. NO.	DWG NO.	ISSUE
B	82679	CK2233	0
SCALE		SHEET	OF
		2	1

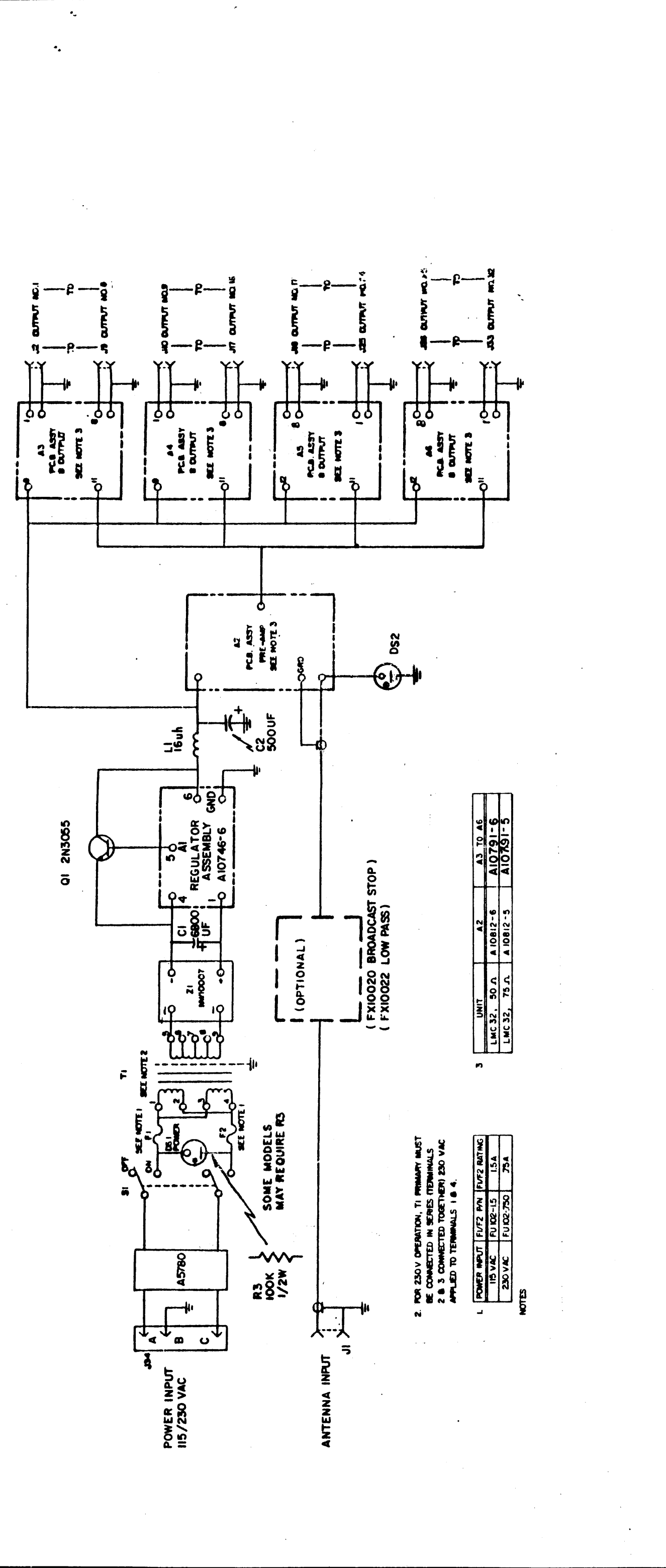
UNLESS OTHERWISE SPECIFIED DIMENSIONS ARE IN INCHES AND INCLUDE CHEMICALLY APPLIED OR PLATED FINISHES		FINAL APPROVAL	DATE
DECIMALS X ± .05		MECH. DES.	DATE
.XX ± .01		ELECT. DES.	DATE
.XXX ± .005		CHECKED	DATE
FRACTIONS 1/64		DRAWN	DATE
TOLS. ° .30'		MATERIAL	
MATERIAL		FINISH	

QTY / UNIT	MODEL USED ON	ASSY NO.
1	AX5224	RST 1
APPLICATION		
CODE		

NOTICE TO PERSONS RECEIVING THIS DRAWING  
THE TECHNICAL MATERIEL CORPORATION claims proprietary right in the material disclosed hereon. This drawing is issued in confidence for engineering information only and may not be reproduced or used to manufacture anything shown hereon without permission from THE TECHNICAL MATERIEL CORPORATION to the user. This drawing is loaned for mutual assistance and is subject to recall at any time.

5 4 3 2 1

EM.N.O.	DRAFT	CHKD	ZONE	LTR	DESCRIPTION	DATE	APPROVED
					ORIGINAL RELEASE for PRODUCTION	1-22-81	



UNIT	A2	A3 TO A6
LMC32, 50 Ω	A10812-6	A10791-6
LMC32, 75 Ω	A10812-5	A10791-5

POWER INPUT	F1/F2 P/N	FUSE RATING
115 VAC	FJ102-15	1.5A
230 VAC	FJ102-750	.75A

2. FOR 230 V OPERATION, T1 PRIMARY MUST BE CONNECTED IN SERIES (TERMINALS 2 & 3 CONNECTED TOGETHER) 230 VAC APPLIED TO TERMINALS 1 & 4.

3. SOME MODELS MAY REQUIRE R3

REQ'D ITEM	PART NUMBER	DESCRIPTION	SYM.
LIST OF MATERIAL			
THE TECHNICAL MATERIEL CORP. MAMARONECK, NEW YORK			
DIAGRAM SCHEMATIC LMC-32A (OVERALL)			
SIZE	CODE IDENT. NO.	DWG. NO.	ISSUE
B	82679	CK2239	Ø
SCALE		SHEET	OF
		1	1

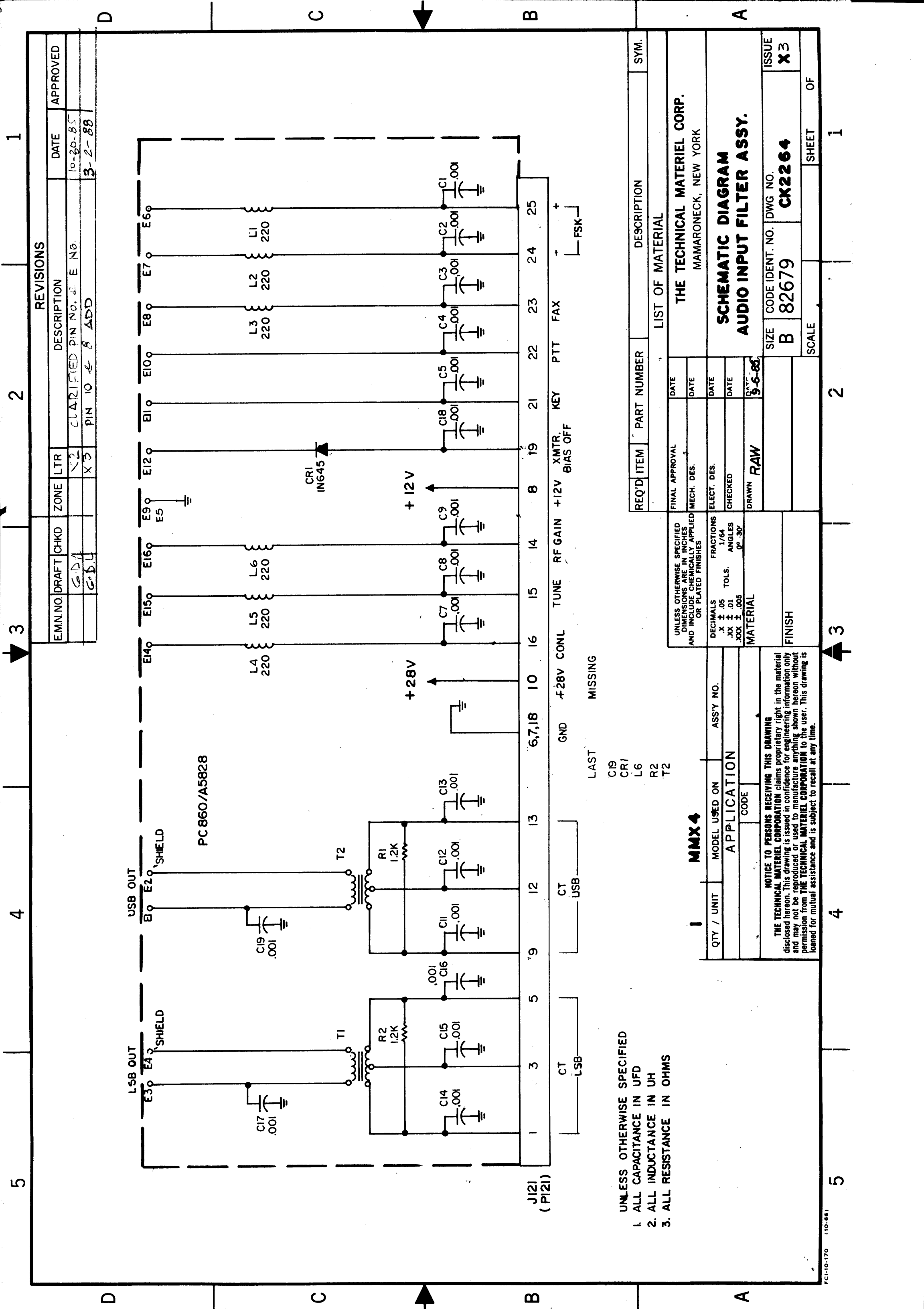
  

UNLESS OTHERWISE SPECIFIED DIMENSIONS ARE IN INCHES AND INCLUDE CHEMICALLY APPLIED OR PLATED FINISHES	FINAL APPROVAL	DATE
DECIMALS	MECH. DES.	DATE
X ± .05	ELECT. DES.	DATE
.XX ± .01	CHECKED	DATE
.XXX ± .005	DRAWN	DATE
FRACTIONS		
1/64		
TOLS.		
° ± .30		
MATERIAL		
FINISH		

QTY / UNIT	MODEL USED ON	ASSY NO.
1	LMC-32A	
APPLICATION		
CODE		

NOTICE TO PERSONS RECEIVING THIS DRAWING  
THE TECHNICAL MATERIEL CORPORATION claims proprietary right in the material disclosed hereon. This drawing is issued in confidence for engineering information only and may not be reproduced or used to manufacture anything shown hereon without permission from THE TECHNICAL MATERIEL CORPORATION to the user. This drawing is loaned for mutual assistance and is subject to recall at any time.



REVISIONS		DATE	APPROVED
EM.N.O	DRAFT CHKD	ZONE	LTR
DESCRIPTION			
CLARIFIED PIN NO. & E NO.		10-20-85	
PIN 10 & 8 ADD		3-2-88	

- UNLESS OTHERWISE SPECIFIED
1. ALL CAPACITANCE IN UFD
  2. ALL INDUCTANCE IN UH
  3. ALL RESISTANCE IN OHMS

LAST MISSING

C19  
CR1  
L6  
R2  
T2

REQ'D	ITEM	PART NUMBER	DESCRIPTION	SYM.
LIST OF MATERIAL				
THE TECHNICAL MATERIEL CORP. MAMARONECK, NEW YORK				
<b>SCHEMATIC DIAGRAM</b> <b>AUDIO INPUT FILTER ASSY.</b>				
FINAL APPROVAL		DATE	DATE	DATE
MECH. DES.				
ELECT. DES.				
CHECKED				
DRAWN		RAW		
DATE		9-6-85		

UNLESS OTHERWISE SPECIFIED DIMENSIONS ARE IN INCHES AND INCLUDE CHEMICALLY APPLIED OR PLATED FINISHES	DATE	DATE	DATE	DATE	DATE
DECIMALS					
.X ± .05					
.XX ± .01					
.XXX ± .005					
FRACTIONS					
1/64					
ANGLES					
° ± .30					
MATERIAL					
FINISH					

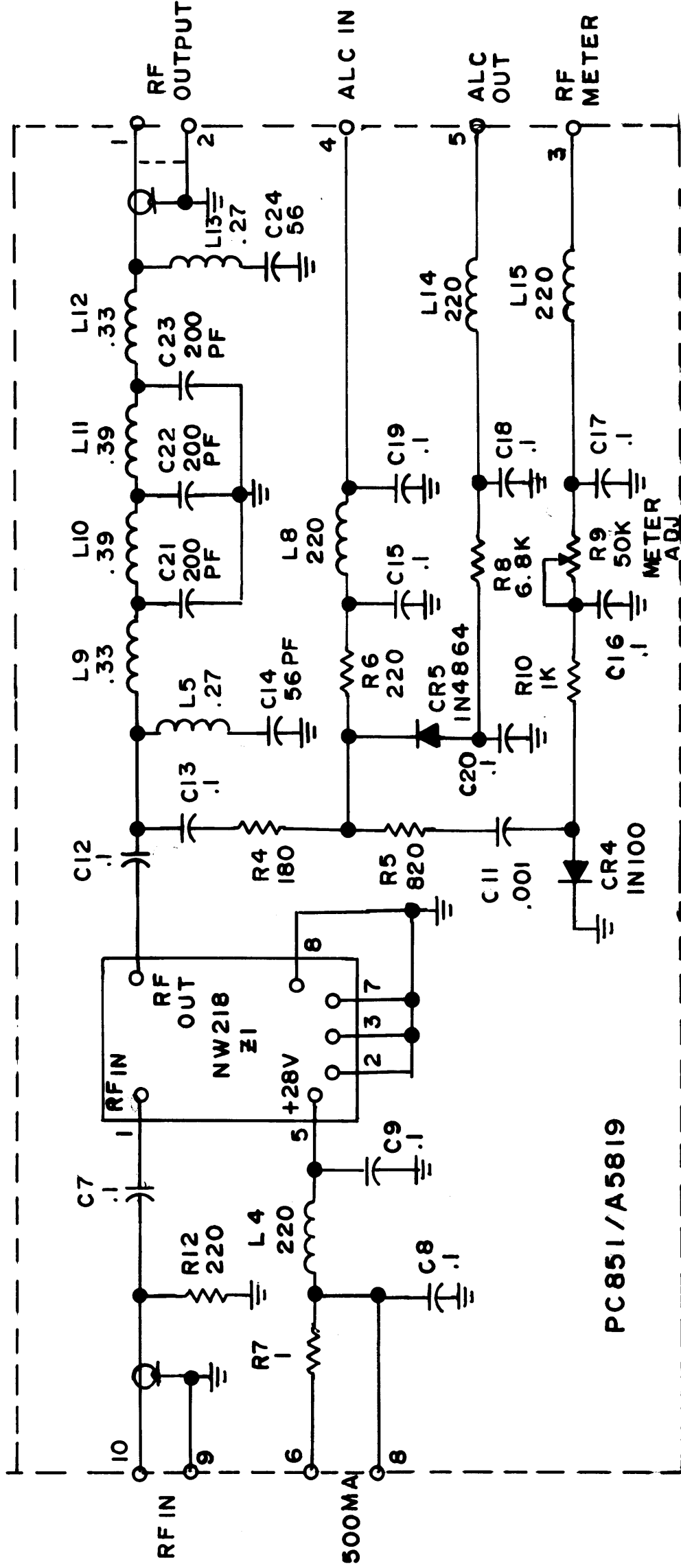
QTY / UNIT	MODEL USED ON	ASSY NO.
<b>MMX 4</b>		
APPLICATION		
CODE		

NOTICE TO PERSONS RECEIVING THIS DRAWING

THE TECHNICAL MATERIEL CORPORATION claims proprietary right in the material disclosed hereon. This drawing is issued in confidence for engineering information only and may not be reproduced or used to manufacture anything shown hereon without permission from THE TECHNICAL MATERIEL CORPORATION to the user. This drawing is loaned for mutual assistance and is subject to recall at any time.

SIZE	CODE IDENT. NO.	DWG NO.	ISSUE
B	82679	CK2264	X3
SCALE	SHEET	OF	

LAST SYMBOL MISSING SYMBOL  
 C24 C1 - C6  
 L15 L1, L2, L3, L6, L13, L7  
 CR5 R1, R2, R3  
 R12 CR1, CR2, CR3



UNLESS OTHERWISE SPECIFIED  
 1- ALL RESISTANCE ARE IN OHM, 1/4W  
 2- ALL CAPACITANCE ARE IN UF  
 3- ALL INDUCTANCE ARE IN UH

REQ'D ITEM	PART NUMBER	DESCRIPTION	SYM.
LIST OF MATERIAL			
THE TECHNICAL MATERIEL CORP. MAMARONECK, NEW YORK			
SCHEMATIC DIAGRAM RF OUTPUT			
SIZE	CODE IDENT. NO.	DWG NO.	ISSUE
B	82679	CK 2268	X4
SCALE		SHEET	OF
		1	1

FINAL APPROVAL	DATE	MECH. DES.	DATE	ELECT. DES.	DATE	CHECKED	DATE	DRAWN	DATE
								G.D.L.	2-25-88

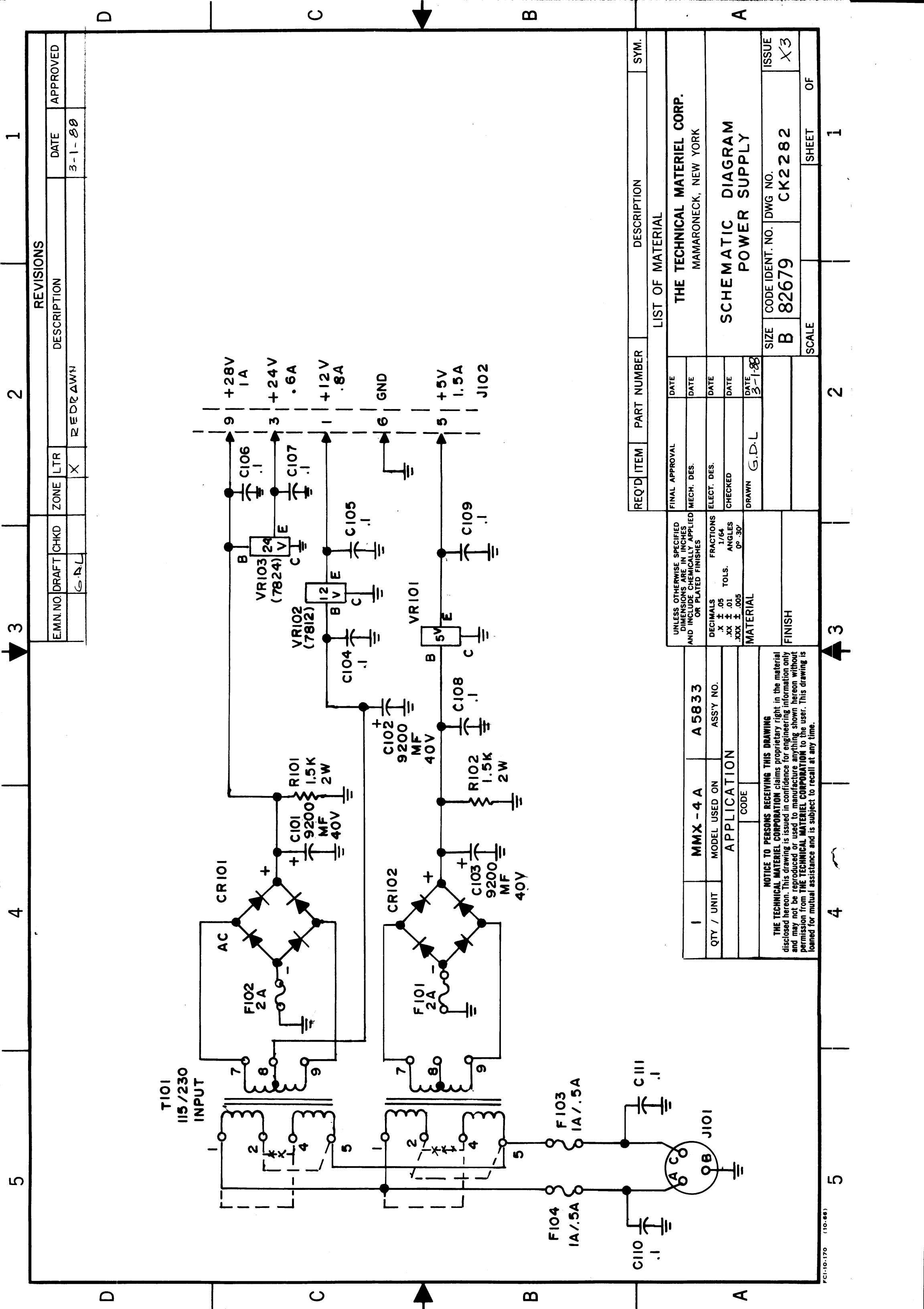
  

UNLESS OTHERWISE SPECIFIED DIMENSIONS ARE IN INCHES AND INCLUDE CHEMICALLY APPLIED OR PLATED FINISHES		FRACTIONS 1/64	
DECIMALS .X ± .05		TOLS. ANGLES	
.XX ± .01		° ± .30'	
.XXX ± .005			
MATERIAL			
FINISH			

QTY / UNIT	MODEL USED ON	ASSY NO.
1	MMX - 4	
APPLICATION		
CODE		

NOTICE TO PERSONS RECEIVING THIS DRAWING  
 THE TECHNICAL MATERIEL CORPORATION claims proprietary right in the material disclosed hereon. This drawing is issued in confidence for engineering information only and may not be reproduced or used to manufacture anything shown hereon without permission from THE TECHNICAL MATERIEL CORPORATION to the user. This drawing is loaned for mutual assistance and is subject to recall at any time.



REVISIONS			
EM.N.O.	DRAFT	CHKD	ZONE
	GAL		X
DESCRIPTION			REDRAWN
DATE			3-1-88
APPROVED			

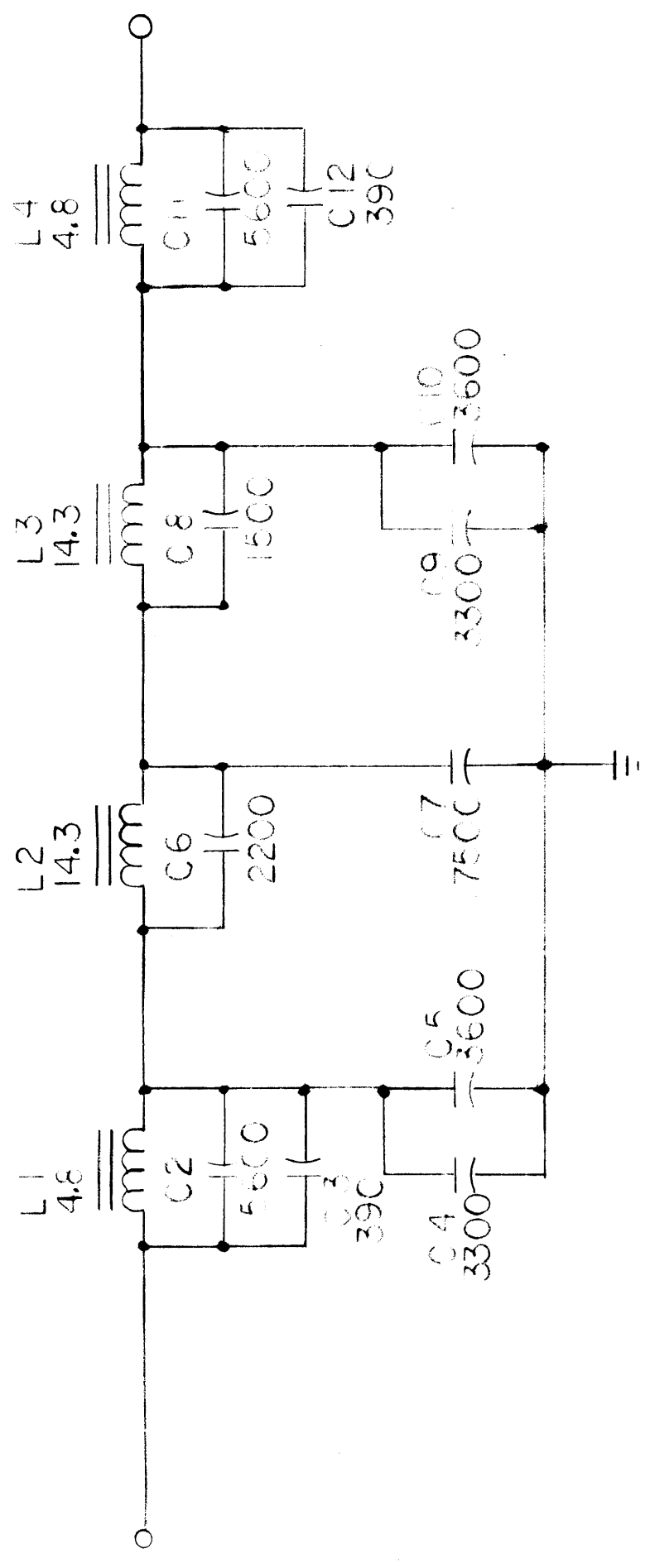
REQ'D ITEM	PART NUMBER	DESCRIPTION	SYM.
LIST OF MATERIAL			
THE TECHNICAL MATERIEL CORP. MAMARONECK, NEW YORK			
SCHEMATIC DIAGRAM POWER SUPPLY			
SIZE	CODE IDENT. NO.	DWG NO.	ISSUE
B	82679	CK2282	X3
SCALE			SHEET OF
			1

UNLESS OTHERWISE SPECIFIED DIMENSIONS ARE IN INCHES AND INCLUDE CHEMICALLY APPLIED OR PLATED FINISHES		DATE
DECIMALS		DATE
FRACTIONS		DATE
.X ± .05	1/64	DATE
.XX ± .01	ANGLES	DATE
.XXX ± .005	0° 30'	DATE
MATERIAL		
FINISH		

NOTICE TO PERSONS RECEIVING THIS DRAWING  
THE TECHNICAL MATERIEL CORPORATION claims proprietary right in the material disclosed hereon. This drawing is issued in confidence for engineering information only and may not be reproduced or used to manufacture anything shown hereon without permission from THE TECHNICAL MATERIEL CORPORATION to the user. This drawing is loaned for mutual assistance and is subject to recall at any time.

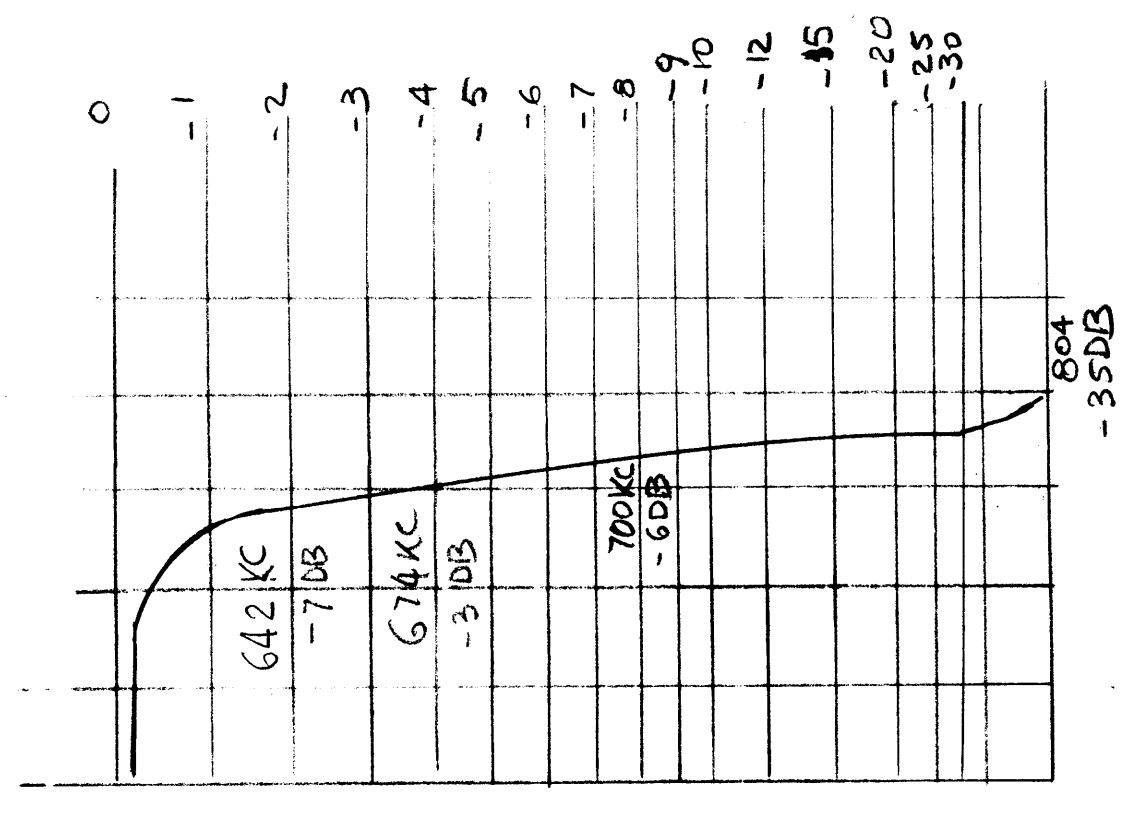
NOT FOR PRODUCTION

ZONE	LTR	DESCRIPTION	DATE	E.M.N.NO	DRAFT	CHKD	APPD



MISSING C1  
LAST C12  
L4

UNLESS OTHERWISE SPECIFIED  
ALL CAPACITORS ARE IN PICOFARADS  
ALL INDUCTORS ARE IN MICROHENREYS



REQ'D ITEM	PART NUMBER	DESCRIPTION	SYM.
LIST OF MATERIAL			
THE TECHNICAL MATERIEL CORP. MAMARONECK, NEW YORK			
FX308 LOW PASS 10KHZ TO 650 KHZ			
SIZE	CODE IDENT. NO.	DWG NO.	ISSUE
B	82679	CK 2288	0
SCALE	SHEET 1 OF 1		

UNLESS OTHERWISE SPECIFIED DIMENSIONS ARE IN INCHES AND INCLUDE CHEMICALLY APPLIED OR PLATED FINISHES	DECIMALS .X ± .05 .XX ± .01 .XXX ± .005	FRACTIONS 1/64 ANGLES 0°-30'
MATERIAL		
FINISH		

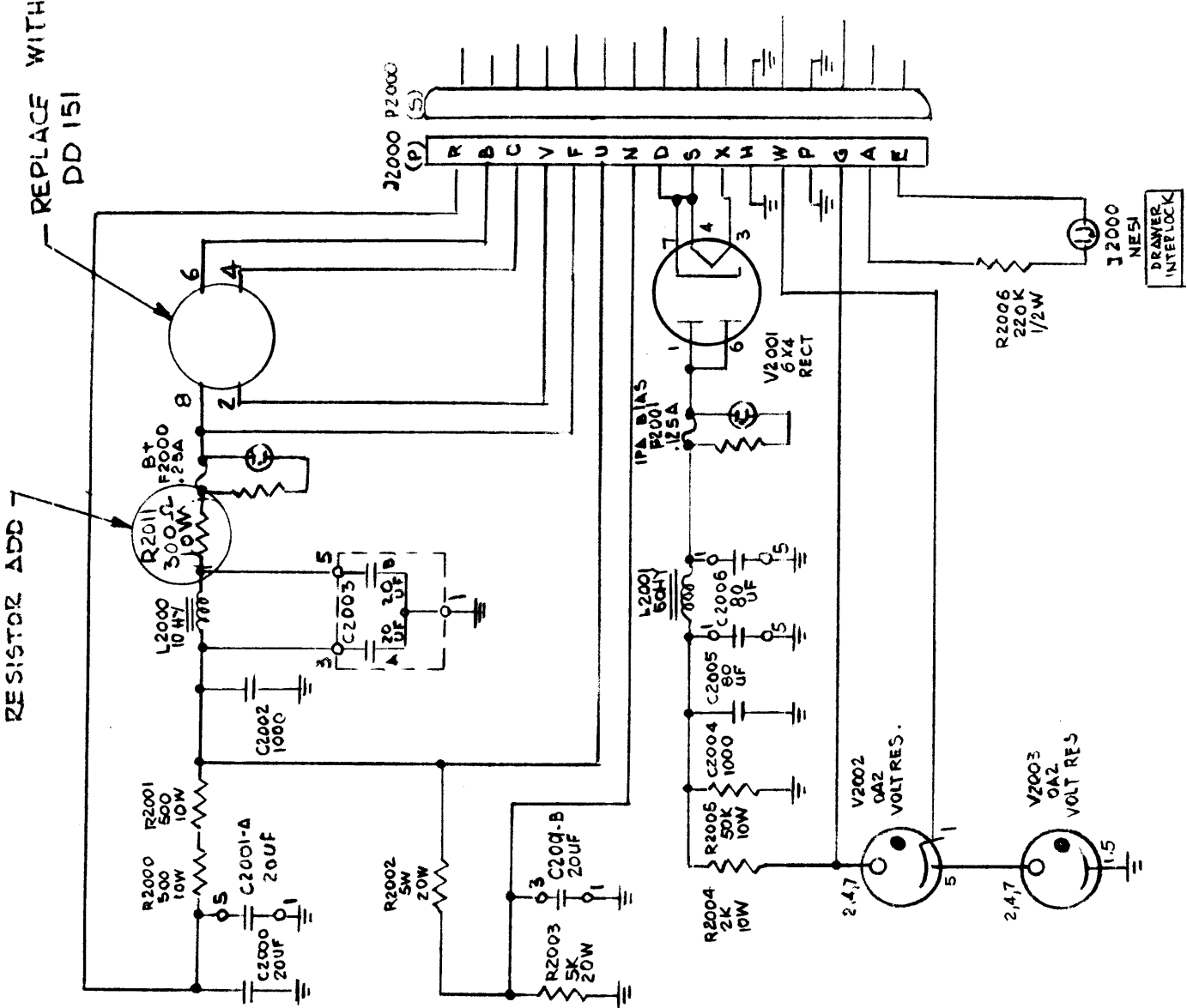
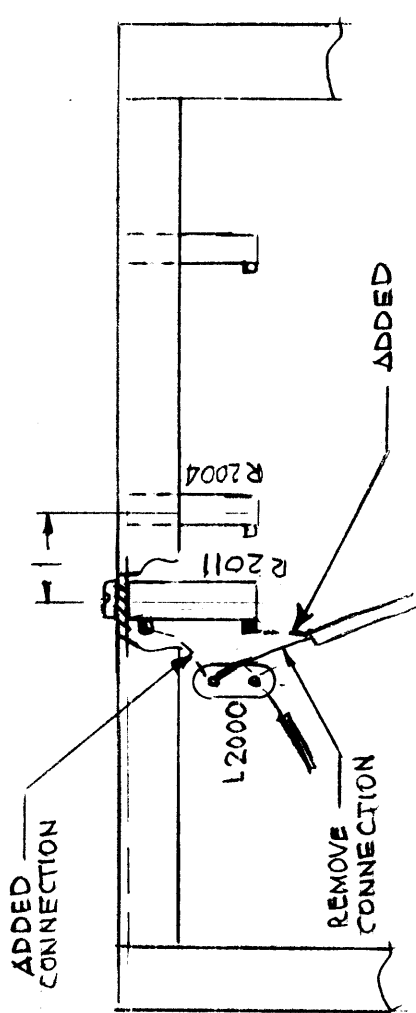
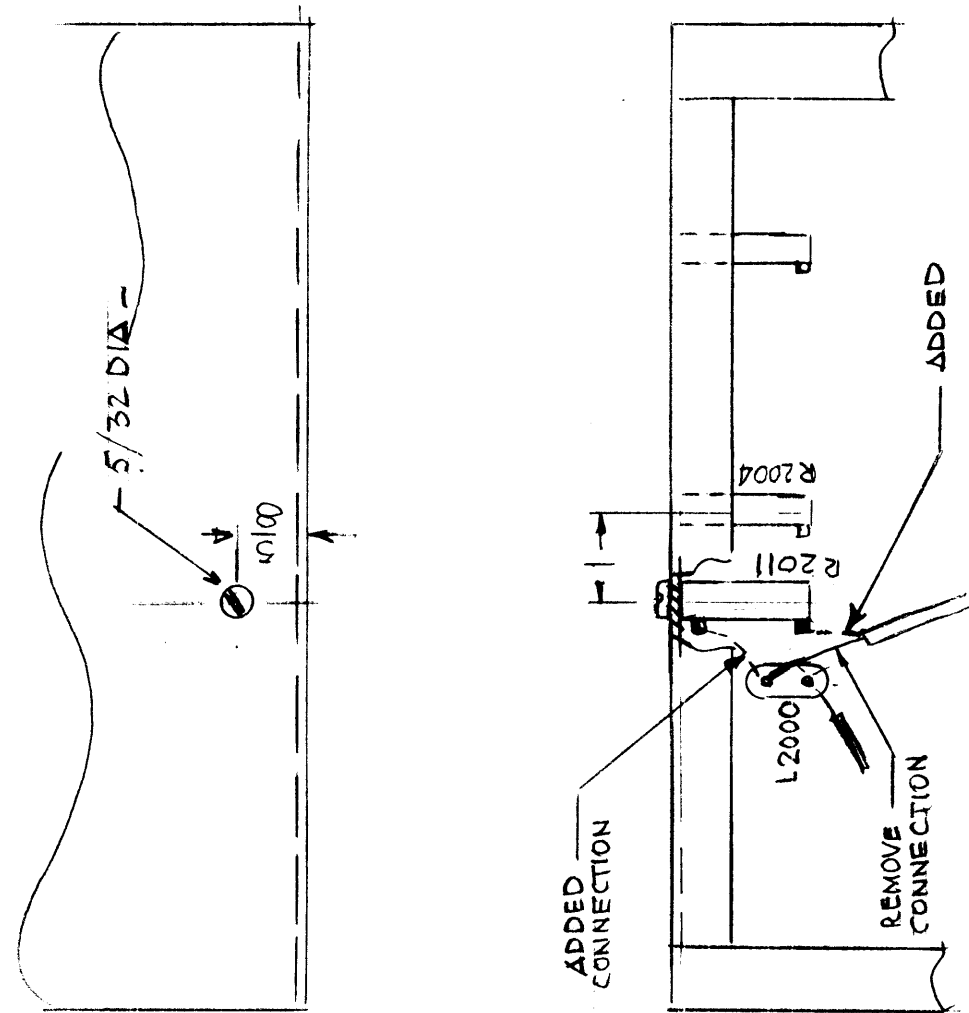
QTY / UNIT	MODEL USED ON	ASSY NO.
	AMC-( )	A5832
APPLICATION		
CODE		

NOTICE TO PERSONS RECEIVING THIS DRAWING  
THE TECHNICAL MATERIEL CORPORATION claims proprietary right in the material disclosed hereon. This drawing is issued in confidence for engineering information only and may not be reproduced or used to manufacture anything shown hereon without permission from THE TECHNICAL MATERIEL CORPORATION to the user. This drawing is loaned for mutual assistance and is subject to recall at any time.

1 2 3 4 5

E.M.N. NO		DRAFT	CHKD	ZONE	LTR	REVISIONS		DATE	APPROVED
-----------	--	-------	------	------	-----	-----------	--	------	----------

- DRILLING PLAN -



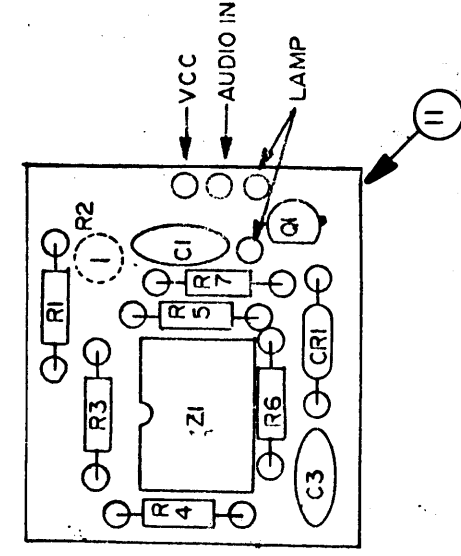
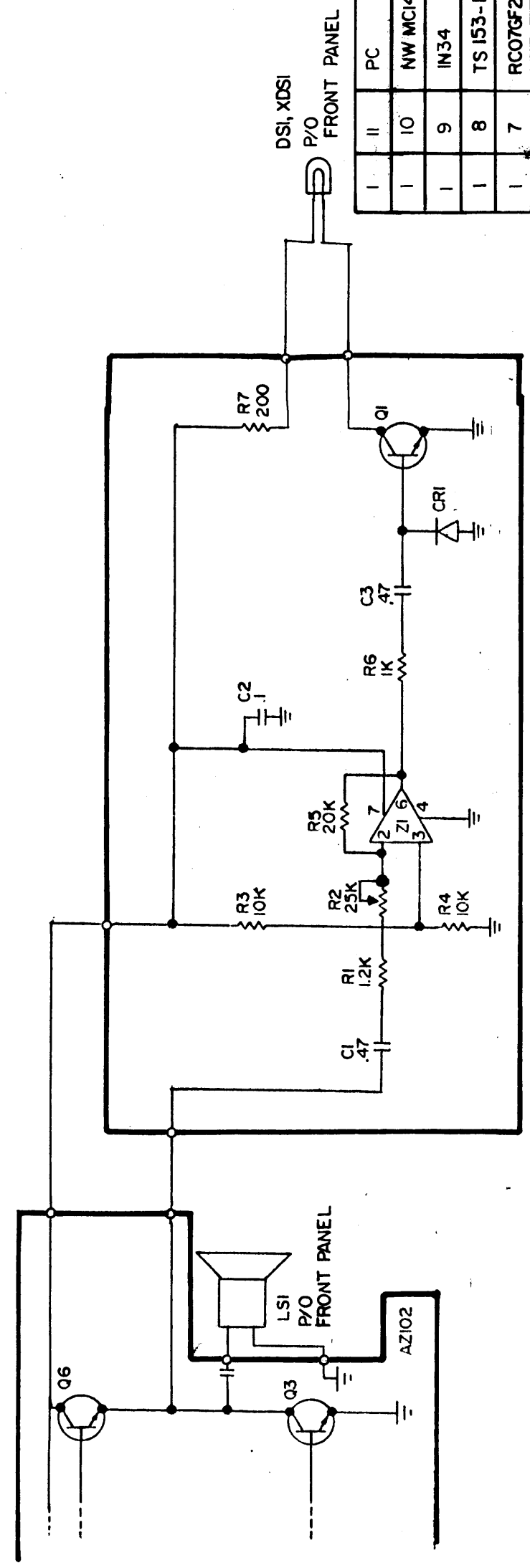
REQ'D	ITEM	PART NUMBER	DESCRIPTION	SYM.
LIST OF MATERIAL				
THE TECHNICAL MATERIEL CORP. MAMARONECK, NEW YORK				
DIAG. SCHEMATIC KIT 458				
FINAL APPROVAL	DATE	DATE	DATE	DATE
<i>[Signature]</i>	7/2/84			
UNLESS OTHERWISE SPECIFIED DIMENSIONS ARE IN INCHES AND INCLUDE CHEMICALLY APPLIED OR PLATED FINISHES				
DECIMALS FRACTIONS				
X ± .05 1/64				
.XX ± .01 ANGLES				
.XXX ± .005 0° .30'				
MATERIAL				
FINISH				
SIZE	CODE IDENT. NO.	DWG NO.	ISSUE	
B	82679	CK 2291		
SCALE	SHEET	OF		

QTY / UNIT	MODEL USED ON	ASSY NO.
	APT-10K	
APPLICATION		
CODE		

NOTICE TO PERSONS RECEIVING THIS DRAWING  
THE TECHNICAL MATERIEL CORPORATION claims proprietary right in the material disclosed hereon. This drawing is issued in confidence for engineering information only and may not be reproduced or used to manufacture anything shown hereon without permission from THE TECHNICAL MATERIEL CORPORATION to the user. This drawing is loaned for mutual assistance and is subject to recall at any time.

5 4 3 2 1

REVISIONS		DATE	APPROVED
EM.N. NO.	DRAFT	CHKD	ZONE
LTR	DESCRIPTION		



REQ'D	ITEM	PART NUMBER	DESCRIPTION	SYM.
1	11	PC	PRINTED CIRCUIT BD	
1	10	NW MCI436CP	OPERATIONAL, AMPLIFIER	Z1
1	9	1N34	DIODE	CR1
1	8	TS 153-II	HOLDER, LAMP	XDS1
1	7	RC07GF203J	RESISTOR, CARBON	R5
1	6	RC07GF201J	RESISTOR, CARBON	R7
1	5	RC07GF122J	RESISTOR, CARBON	R1
2	4	RC07GF103J	RESISTOR, CARBON	R3,4
1	3	RC07GF102J	RESISTOR, CARBON	R6
1	2	BI10-7	BULB, IND.	DS1
2	1	CC 131-44	CAPACITOR, CERAMIC	C1,3
				SYM.

LIST OF MATERIAL

FINAL APPROVAL	DATE	MECH. DES.	DATE	ELECT. DES.	DATE	CHECKED	DATE	DRAWN	DATE
<i>[Signature]</i>	8/14/64							RAW	8-24-66

UNLESS OTHERWISE SPECIFIED DIMENSIONS ARE IN INCHES AND INCLUDE CHEMICALLY APPLIED OR PLATED FINISHES	DECIMALS	FRACTIONS
.X ± .05	1/64	
.XX ± .01	ANGLES	
.XXX ± .005	° ± .30'	
MATERIAL		
FINISH		

BSP 3D(A1)	MODEL USED ON	ASSY NO.
APPLICATION		
QTY / UNIT	CODE	

NOTICE TO PERSONS RECEIVING THIS DRAWING  
 THE TECHNICAL MATERIEL CORPORATION claims proprietary right in the material disclosed hereon. This drawing is issued in confidence for engineering information only and may not be reproduced or used in manufacture anything shown hereon without permission from THE TECHNICAL MATERIEL CORPORATION to the user. This drawing is loaned for mutual assistance and is subject to recall at any time.

THE TECHNICAL MATERIEL CORP.  
 MAMARONECK, NEW YORK

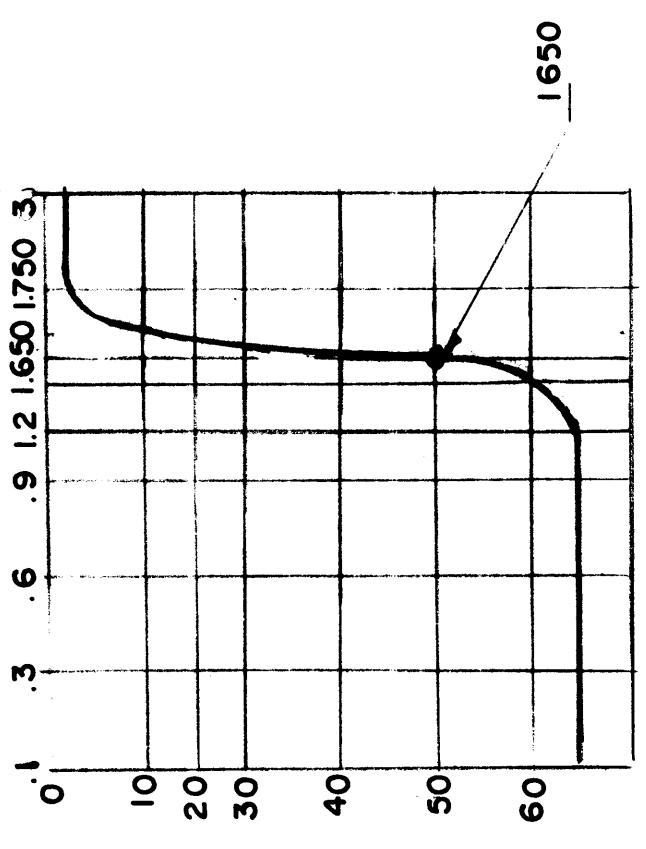
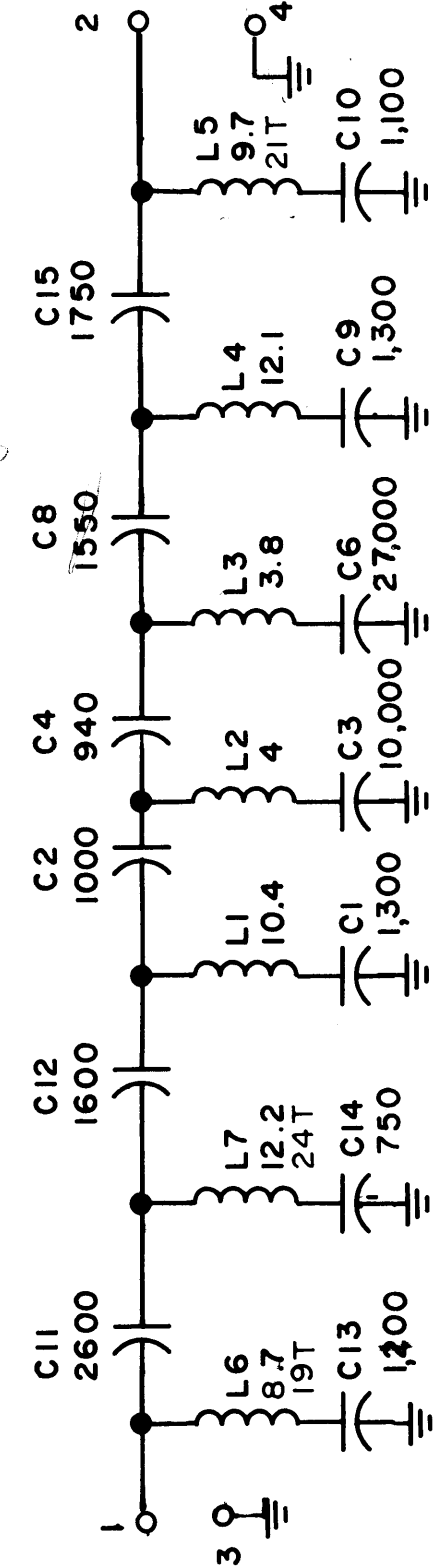
AUDIO INDICATOR CIRCUIT

SIZE	CODE IDENT. NO.	DWG NO.	ISSUE
B	82679	CK 2296	

SCALE	SHEET	OF
	1	1



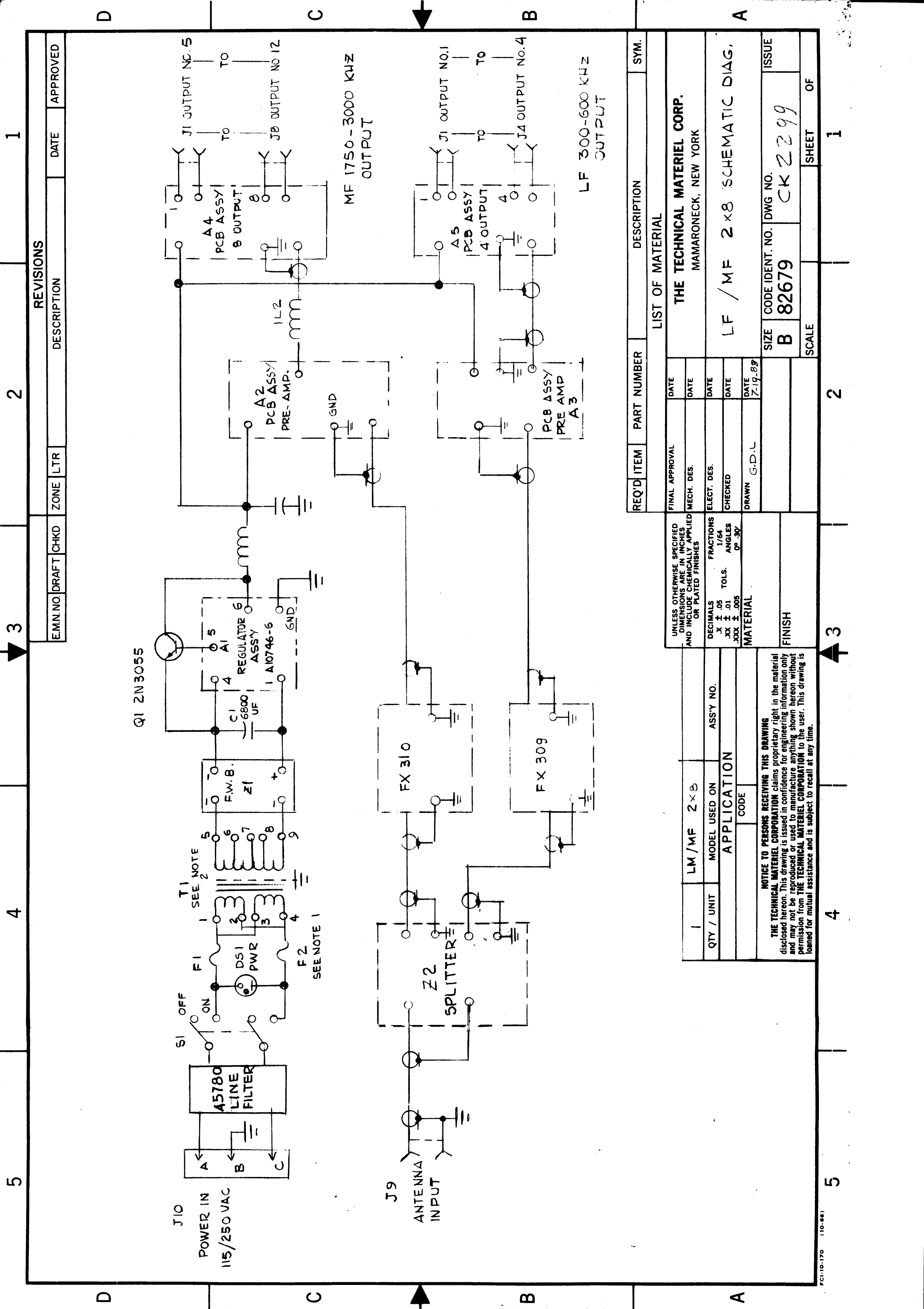
REVISIONS			
EM.N.O.	DRAFT	CHKD	ZONE
			LTR
DESCRIPTION		DATE	APPROVED



TYPICAL FREQUENCY RESPONSE

NOTES:  
 UNLESS OTHERWISE SPECIFICATION  
 ALL CAPACITOR VALUE ARE IN PF  
 ALL INDUCTANCE VALUE ARE IN UH

REQ'D ITEM	PART NUMBER	DESCRIPTION	SYM.
LIST OF MATERIAL			
THE TECHNICAL MATERIEL CORP. MAMARONECK, NEW YORK			
SCHEMATIC DIAGRAM FX 310 HIGH PASS			
FINAL APPROVED	DATE	MECH. DES.	DATE
<i>[Signature]</i>			
ELECT. DES.	DATE	CHECKED	DATE
DRAWN	G.D.L	DATE	10-19-65
UNLESS OTHERWISE SPECIFIED DIMENSIONS ARE IN INCHES AND INCLUDE CHEMICALLY APPLIED OR PLATED FINISHES	FRACTIONS 1/64	DECIMALS .X ± .05 TOLS. .XX ± .01 .XXX ± .005	ANGLES DP .30V
MATERIAL			FINISH
LF/MF 2 X 8			ASS'Y NO.
MODEL USED ON APPLICATION			
CODE			
NOTICE TO PERSONS RECEIVING THIS DRAWING			
THE TECHNICAL MATERIEL CORPORATION claims proprietary right in the material disclosed hereon. This drawing is issued in confidence for engineering information only and may not be reproduced or used to manufacture anything shown hereon without permission from THE TECHNICAL MATERIEL CORPORATION to the user. This drawing is loaned for mutual assistance and is subject to recall at any time.			
SIZE	CODE IDENT. NO.	DWG NO.	ISSUE
B	82679	CK 2298	
SCALE		SHEET	OF
		2	1



EM.N. NO.	DRAFT	CHKD	ZONE	LTR	DESCRIPTION	DATE	APPROVED
-----------	-------	------	------	-----	-------------	------	----------

REVISIONS	1	2	3	4	5
-----------	---	---	---	---	---

REQ'D ITEM	PART NUMBER	DESCRIPTION	SYM.
LIST OF MATERIAL			
THE TECHNICAL MATERIEL CORP. MAMARONECK, NEW YORK			
LF / MF 2 x 8 SCHEMATIC DIAG.			
FINAL APPROVAL	DATE	DATE	DATE
MECH. DES.	DATE	DATE	DATE
ELECT. DES.	DATE	DATE	DATE
CHECKED	DATE	DATE	DATE
DRAWN	G.D.L	DATE	7-19-88
UNLESS OTHERWISE SPECIFIED DIMENSIONS ARE IN INCHES AND INCLUDE CHEMICALLY APPLIED OR PLATED FINISHES		MATERIAL	
DECIMALS	FRACTIONS	FINISH	
.X ± .05	1/64	G.D.L	
.XX ± .01	TOLS.	G.D.L	
.XXX ± .005	ANGLES	G.D.L	
	90°	G.D.L	
CODE		FINISH	
LM/MF 2x8		FINISH	
MODEL USED ON		FINISH	
APPLICATION		FINISH	
ASSY NO.		FINISH	
QTY / UNIT		FINISH	
CODE		FINISH	
<p><b>NOTICE TO PERSONS RECEIVING THIS DRAWING</b></p> <p>THE TECHNICAL MATERIEL CORPORATION claims proprietary right in the material disclosed hereon. This drawing is issued in confidence for engineering information only and may not be reproduced or used to manufacture anything shown hereon without permission from THE TECHNICAL MATERIEL CORPORATION to the user. This drawing is loaned for mutual assistance and is subject to recall at any time.</p>			
SIZE	CODE IDENT. NO.	DWG NO.	ISSUE
B	82679	CK 2299	
SCALE	SHEET	OF	
	2	1	