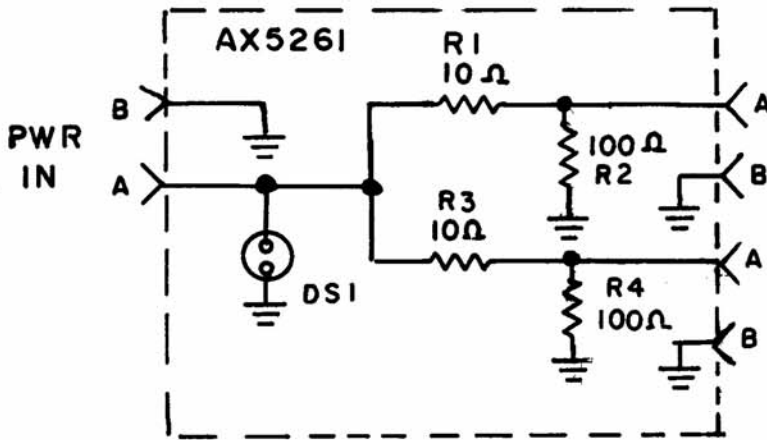


APPLICATION				REVISIONS					
QTY	MODEL USED ON	ASS'Y NO.	LTR	DESCRIPTION	DATE	E.M.N.NO	DRAFT	CHKD	APPD

LF/MF 2X8



<small>UNLESS OTHERWISE SPECIFIED DIMENSIONS ARE IN INCHES AND INCLUDE CHEMICALLY APPLIED OR PLATED FINISHES</small> <small>DECIMALS FRACTIONS</small> <small>.X ± .05 1/64</small> <small>.XX ± .01 TOLS. ANGLES</small> <small>.XXX ± .005 0°-30'</small>	REQ'D	ITEM	PART NUMBER	DESCRIPTION	SYM.	
	LIST OF MATERIAL					
	FINAL APPROVAL		DATE		THE TECHNICAL MATERIEL CORP. MAMARONECK, NEW YORK SCHEMATIC DIAGRAM TRANSIENT PROTECTION & SPLITTER	
	MECH. DES.		DATE			
	ELECT. DES.		DATE			
CHECKED		DATE				
MATERIAL	DRAWN		G.D.L	DATE	10-11-68	
FINISH	SIZE		A	CODE IDENT. NO.	82679	
	DWG NO.		CK 2297	ISSUE		
<small>NOTICE TO PERSONS RECEIVING THIS DRAWING</small> <small>THE TECHNICAL MATERIEL CORPORATION claims proprietary right in the material disclosed hereon. This drawing is issued in confidence for engineering information only and may not be reproduced or used to manufacture anything shown hereon without permission from THE TECHNICAL MATERIEL CORPORATION to the user. This drawing is loaned for mutual assistance and is subject to recall at any time.</small>			SCALE	SHEET	OF	