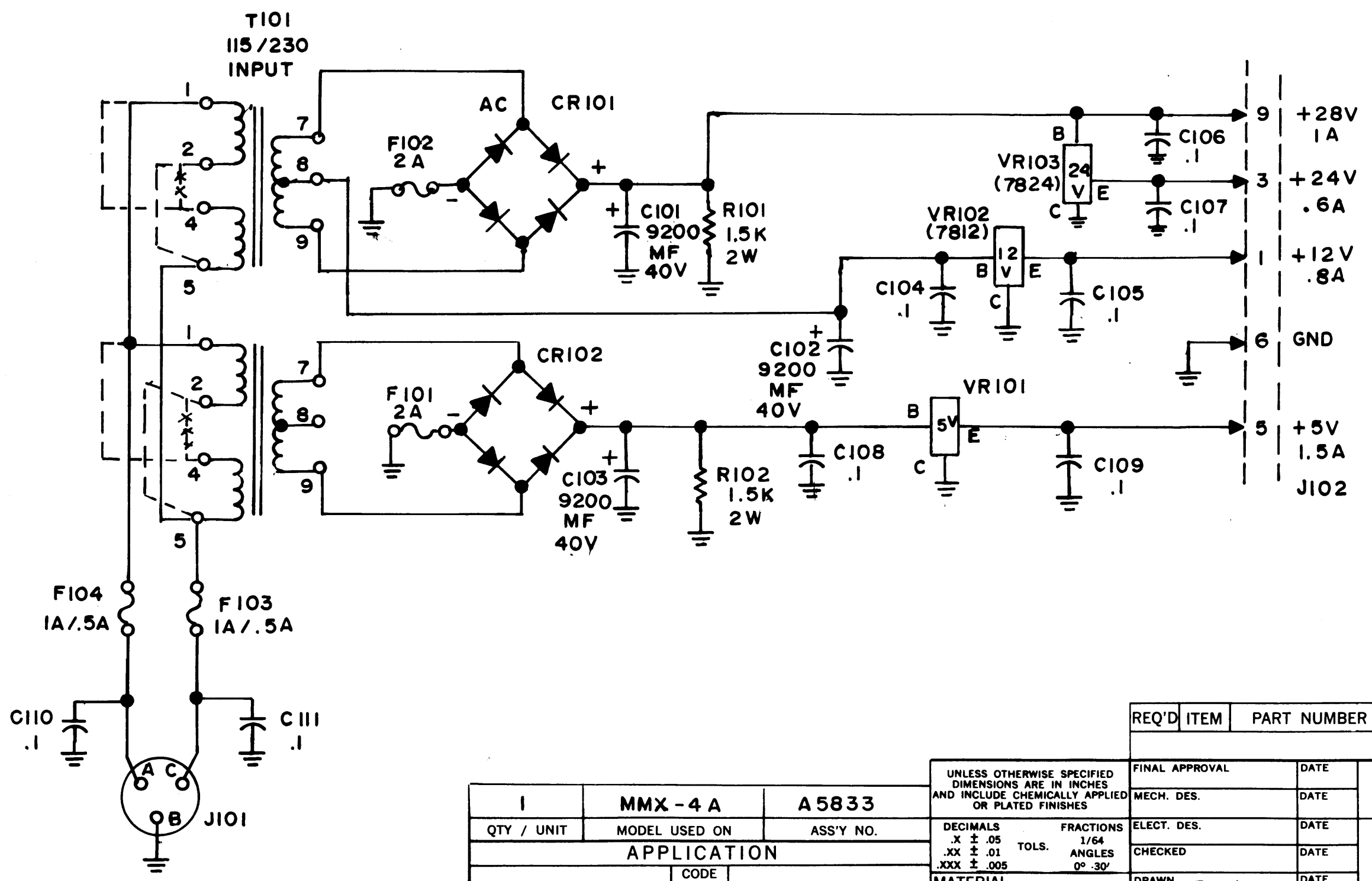


REVISIONS							
E.M.N. NO.	DRAFT	CHKD	ZONE	LTR	DESCRIPTION	DATE	APPROVED
	G.D.L.			X	REDRAWN	3-1-88	



1	MMX - 4 A	A 5833
QTY / UNIT	MODEL USED ON	ASS'Y NO.
APPLICATION		
	CODE	

NOTICE TO PERSONS RECEIVING THIS DRAWING
 THE TECHNICAL MATERIEL CORPORATION claims proprietary right in the material disclosed hereon. This drawing is issued in confidence for engineering information only and may not be reproduced or used to manufacture anything shown hereon without permission from THE TECHNICAL MATERIEL CORPORATION to the user. This drawing is loaned for mutual assistance and is subject to recall at any time.

UNLESS OTHERWISE SPECIFIED DIMENSIONS ARE IN INCHES AND INCLUDE CHEMICALLY APPLIED OR PLATED FINISHES	
DECIMALS .X ± .05 .XX ± .01 .XXX ± .005	FRACTIONS TOLS. 1/64 ANGLES 0° - 30'
MATERIAL	
FINISH	

REQ'D	ITEM	PART NUMBER	DESCRIPTION	SYM.
LIST OF MATERIAL				
THE TECHNICAL MATERIEL CORP. MAMARONECK, NEW YORK				
SCHEMATIC DIAGRAM POWER SUPPLY				
FINAL APPROVAL	DATE	DATE		
MECH. DES.	DATE	DATE		
ELECT. DES.	DATE	DATE		
CHECKED	DATE	DATE		
DRAWN	G.D.L.	DATE	3-1-88	
SIZE	B	CODE IDENT. NO.	82679	DWG NO.
			CK2282	ISSUE
			X3	
SCALE		SHEET	OF	