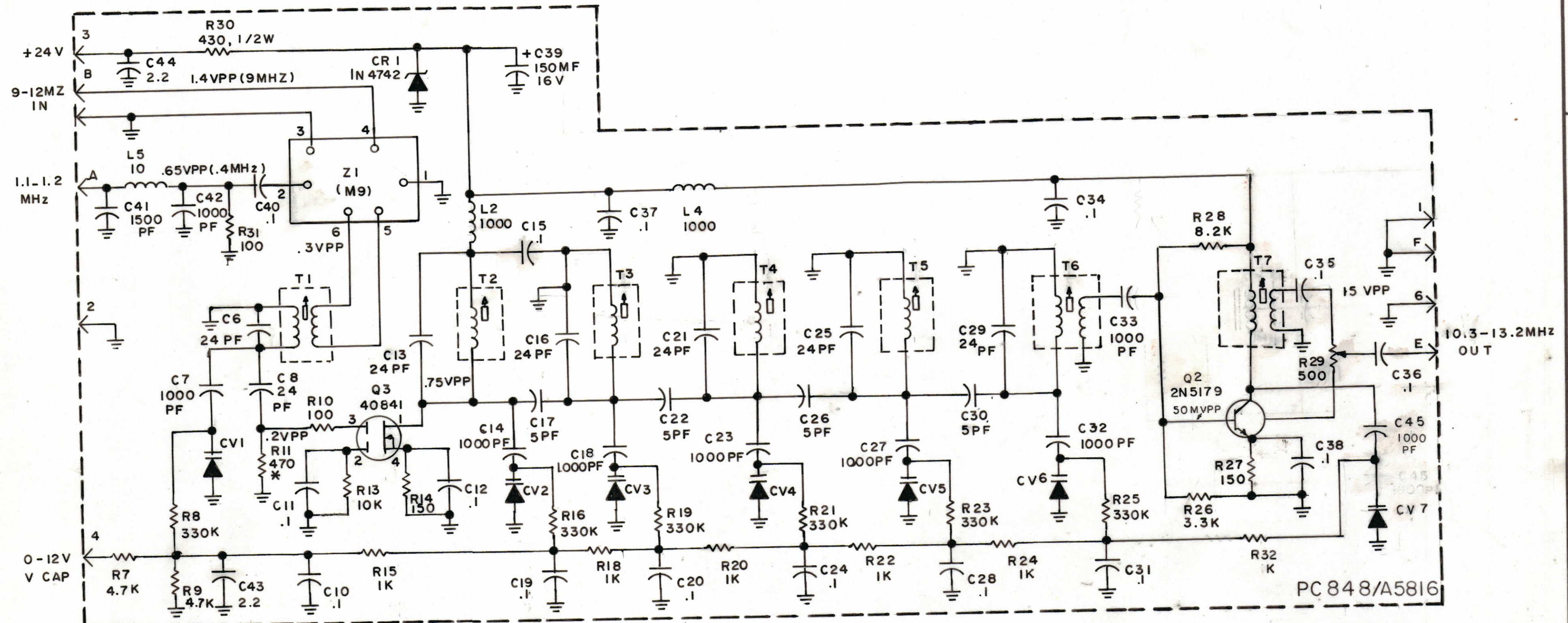


REVISIONS						
ZONE	LTR	DESCRIPTION	DATE	E.M.N.O	DRAFT	CHKD APPD
	X2	REDRAWN & UPDATED	1-19-89		GDL	
	X3	L2 WAS 220, L4 120	2-28-89		GDL	



PC 848/A5816

VOLTAGES SHOWN TAKEN AT DIAL 29 MHZ

UNLESS OTHERWISE SPECIFIED
 1- ALL INDUCTANCE ARE IN μ H
 2- ALL CAPACITANCE ARE IN μ FD
 3- ALL RESISTANCE ARE IN OHM, 1/4W
 4- ALL CV ARE MV 2115
 * DENOTE FACTORY ADJ
 ** INITIAL TUNING

DIAL FREQ MHZ	TUNING V PIN 4	MHZ FREQ OUT PIN E	DIAL FREQ MHZ	TUNING V PIN 4	MHZ FREQ OUT PIN E
29	.6 **	10.4	14	4.0	11.9
28	.8	10.5	13	4.3	12.0
27	.85	10.6	12	4.6	12.1
26	1.1	10.7	11	5.0	12.2
25	1.35	10.8	10	5.35	12.3
24	1.5	10.9	9	5.9	12.4
23	1.7	11.0	8	6.1	12.5
22	1.85	11.1	7	6.7	12.6
21	2.1	11.2	6	7.0	12.7
20	2.3	11.3	5	7.5	12.8
19	2.6	11.4	4	8.0	12.9
18	2.9	11.5	3	8.7	13.0
17	3.1	11.6	2	9.1	13.1
16	3.4	11.7	1	9.8	13.2
15	3.7	11.8	0	10.2	13.3

LAST SYMBOL MISSING SYMBOL
 C45 C2, C3, C4, C5
 L5 R1 - R6, R17
 Q3 R1
 R32 Q1
 T7
 CR1
 CV7

1	MMX-4	
QTY / UNIT	MODEL USED ON	ASS'Y NO.
APPLICATION		
CODE		
NOTICE TO PERSONS RECEIVING THIS DRAWING		
THE TECHNICAL MATERIEL CORPORATION claims proprietary right in the material disclosed herein. This drawing is issued in confidence for engineering information only and may not be reproduced or used to manufacture anything shown hereon without permission from THE TECHNICAL MATERIEL CORPORATION to the user. This drawing is loaned for mutual assistance and is subject to recall at any time.		

TOLERANCES ON DECIMALS

.X ± .05	± 1/64
.XX ± .01	ANGLES
.XXX ± .005	± 0° - 30'

MATERIAL FINISH

QTY. REQ.	ITEM	PART NO.	DESCRIPTION	SYMBOL
LIST OF MATERIAL				
FINAL APPROVAL		DATE		THE TECHNICAL MATERIEL CORP. MAMARONECK, NEW YORK SCHEMATIC, DIAGRAM 10.3-13.2 MHz SYNT (10.3-13.2 AMP)
MECH. DES.		DATE		
ELECT. DES.		DATE		
CHECKED		DATE		
DRAWN		DATE		
		G.O. LUCIA 1-19-89		
SIZE	CODE IDENT. NO.	DWG NO.	ISSUE	
C	82679	CK 2278	X3	
SCALE			SHEET	OF