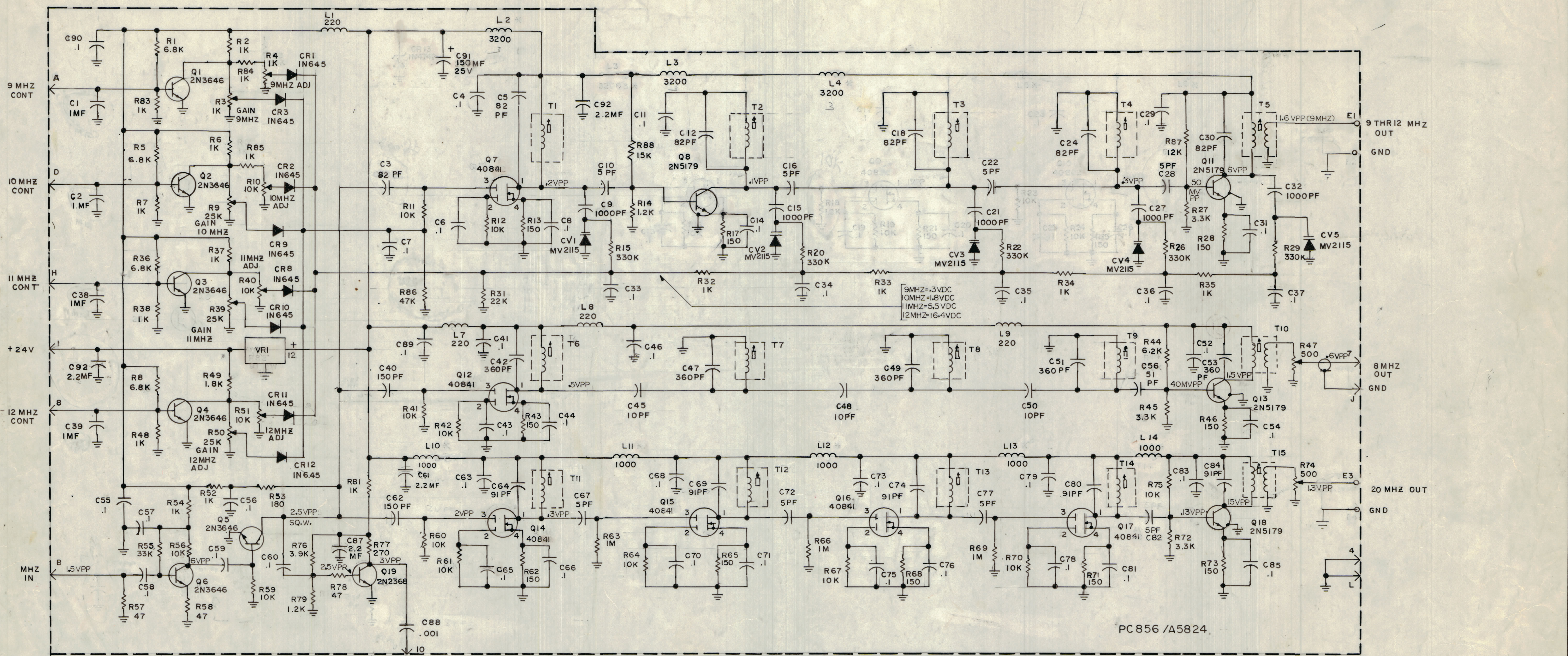


REVISIONS							
E.M.NO	DRAFT	CHKD	ZONE	LTR	DESCRIPTION	DATE	APPROVED
				X5	ADD L21 DEL CR13, R82	1-15-86	
				A	RELEASE FOR PRODUCTION 2-13-86		
				A	Q8 WAS 40841, Q10 DEL, C13, C14, C15, C20, C25, C26, R10, R18, R19, R21, R23, R24, R25 DELETED- C28 WAS 15PF, C3 WAS 620PF, (287 WAS 6.2K, R88 ADD.	2-14-89	
				B	L5, L6 DELETED- L2, L3, L4, L10, L11, L12, L13 WERE FERRITE BEAD	3-1-89	



LAST SYMBOL
 C92
 L14
 Q19
 R88
 T15
 CR12

MISSING SYMBOL
 CR 4 - CR 7 CR13
 R30, R82, R16, R18, R19,
 R21, R23, R24, R25
 C13, C19, C20, C25, C26

UNLESS OTHERWISE SPECIFIED
 1- ALL CAPACITANCE ARE IN UF
 2- ALL INDUCTANCE ARE IN MH
 3- ALL RESISTANCE ARE IN OHM, 1/4 W
 * DENOTE FERRITE BEAD
 T1 TO T4, T6 TO T9 II TURNS TT285-5 NO SEC.
 T11 TO T14 TT285-10 NO SEC.

MMX-4		
QTY / UNIT	MODEL USED ON	ASS'Y NO.
APPLICATION		
CODE		
NOTICE TO PERSONS RECEIVING THIS DRAWING THE TECHNICAL MATERIEL CORPORATION claims proprietary right in the material disclosed hereon. This drawing is issued in confidence for engineering information only and may not be reproduced or used to manufacture anything shown hereon without permission from THE TECHNICAL MATERIEL CORPORATION to the user. This drawing is loaned for mutual assistance and is subject to recall at any time.		

QTY. REQ.	ITEM	PART NO.	DESCRIPTION	SYMBOL
LIST OF MATERIAL				
THE TECHNICAL MATERIEL CORP. MAMARONECK, NEW YORK				
SCHEMATIC DIAGRAM SPECTRUM GENERATOR				
MATERIAL		FINISH		
SIZE		CODE/IDENT NO./DWG NO.	ISSUE	
D		82679 CK 2274	B	
SCALE		SHEET OF		