

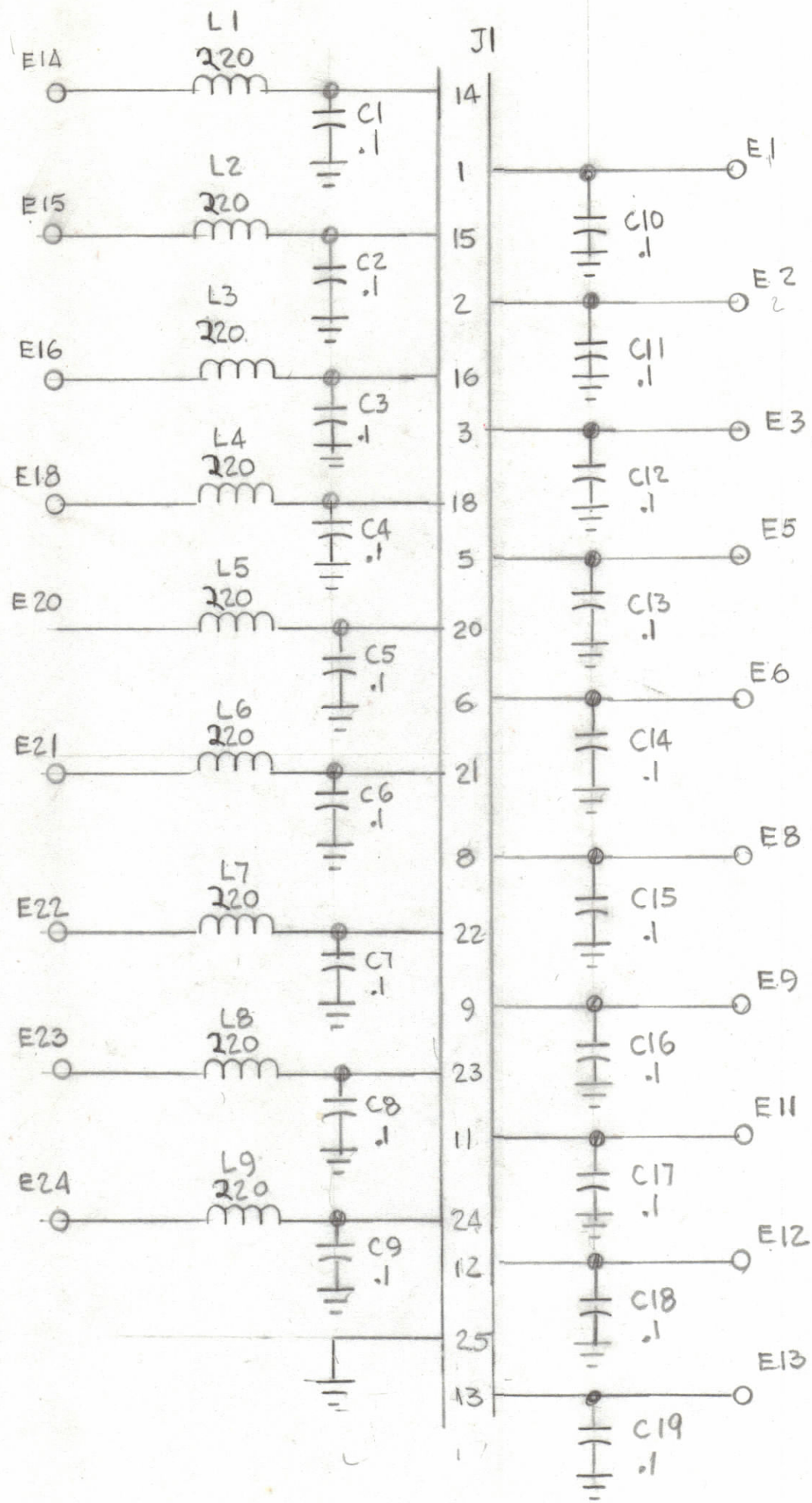
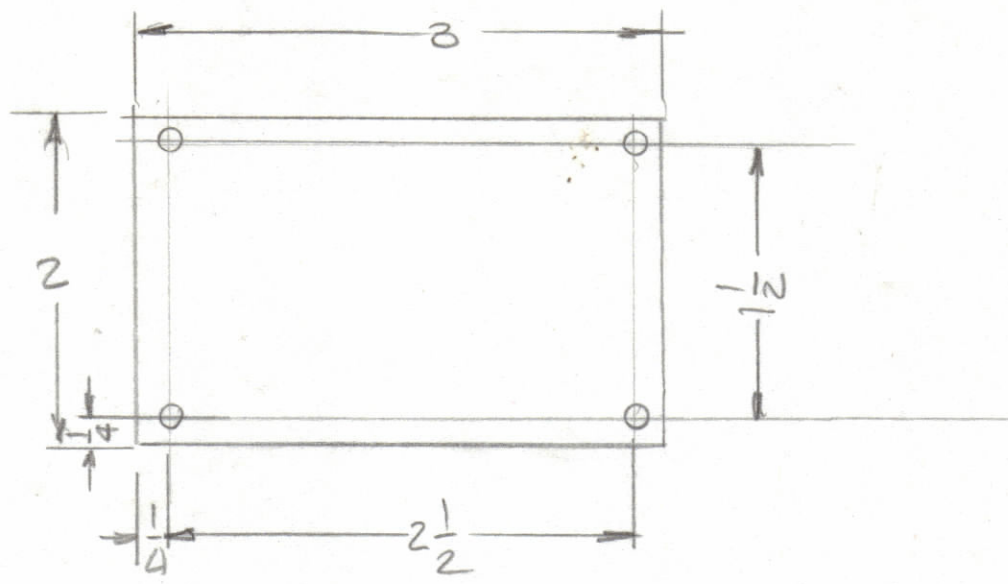
4

3

2

1

| REVISIONS | | | | | | |
|-----------|-----|-------------|------|----------|-------|-----------|
| ZONE | LTR | DESCRIPTION | DATE | E.M.N.NO | DRAFT | CHKD APPD |
| | | | | | | |



NOTE:

ALL CAPACITORS VALUE ARE IN MICROFARADS
 ALL COIL VALUE ARE IN HENRIES

REF: A 5829

| QTY. REQ. | ITEM | PART NO. | DESCRIPTION | SYMBOL |
|--|------|---------------|-------------|-------------------|
| LIST OF MATERIAL | | | | |
| THE TECHNICAL MATERIEL CORP. MAMARONECK, NEW YORK | | | | |
| SCHEMATIC DIAG. REMOTE INPUT FILTER | | | | |
| FINAL APPROVAL | | DATE | | C 82679 CK 2270 X |
| MECH. DES. | | DATE | | |
| ELECT. DES. | | DATE | | |
| CHECKED | | DATE | | |
| DRAWN | | DATE | | |
| MATERIAL | | SIZE | | ISSUE |
| FINISH | | CODE IDENT.NO | | OF |
| | | DWG NO. | | |
| | | SCALE | | |
| | | SHEET | | |

MMX-4

| QTY / UNIT | MODEL USED ON | ASS'Y NO. |
|--|---------------|-----------|
| | | |
| APPLICATION | | |
| | CODE | |
| <p style="font-size: small;">NOTICE TO PERSONS RECEIVING THIS DRAWING THE TECHNICAL MATERIEL CORPORATION claims proprietary right in the material disclosed hereon. This drawing is issued in confidence for engineering information only and may not be reproduced or used to manufacture anything shown hereon without permission from THE TECHNICAL MATERIEL CORPORATION to the user. This drawing is loaned for mutual assistance and is subject to recall at any time.</p> | | |

4

3

2

1