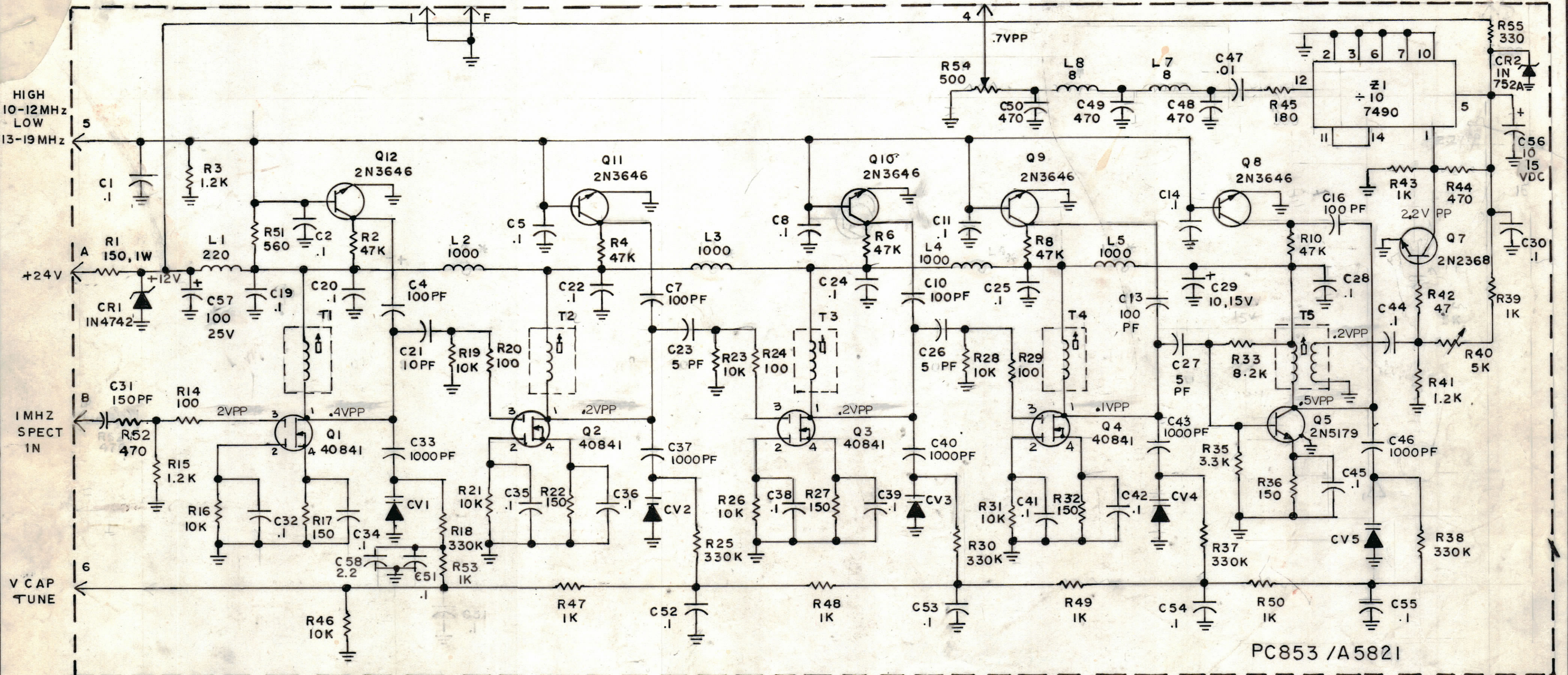


MISSING SYMBOL	LAST SYMBOL
C9, C15, C17, C18, C3, C6, C12	C58
R5, R7, R9, R11, R12, R13, R34	L8
Q6,	Q12
L6	R55
	T5
	Z1
	CR1
	CV5

REVISIONS						
ZONE	LTR	DESCRIPTION	DATE	E.M.N.O	DRAFT	CHKD APPD
		Changed chart	2-12-86		RAW	
A		Release for Production				
		R52 & C31 RELOCATED	3-1-89		G.D.L	
B		5V LINE REMOVE, LG DEL. R53, CR2 ADD.	12-20-86		C.D.L	
C		L1-L5 WERE FERRITE BEAD, R45 WAS 330	3-1-89		G.D.L	

1-1.9 FOR 100KHZ
1,10,100KHZ
1.1-2.0MHZ FOR 1MHZ
TCF



PC853 /A5821

100KHZ 1KHZ 10KHZ 100KHZ Z107, Z108, Z109, Z110			1MHZ Z111			
FREQ MHZ	LEVEL PIN 5	TUNING V PIN 6	FREQ MHZ	LEVEL PIN 5	TUNING V PIN 6	FREQ DIGIT
10	HIGH	0.25 +	13	HIGH	9.5	0
11		2.1	12		2.0	1
12	HIGH	7.5	11	HIGH	0.7**	2
13	LOW	0.25	20	LOW	8.5	3
14		.75	19		6.0	4
15		1.5	18		3.9	5
16		2.6	17		2.5	6
17		4.2	16		1.6	7
18		6.2	15		.9	8
19	LOW	8.5	14	LOW	.35	9

UNLESS OTHERWISE SPECIFIED
 1-ALL CAPACITANCE ARE IN UF D
 2-ALL INDUCTANCE ARE IN UH
 3-ALL RESISTANCE ARE IN OHM, 1/4 W
 4- ALL CV ARE MV2113
 * DENOTE FERRITE BEAD
 ** INITIAL TUNING 11-20MHZ (1MHZ)
 + INITIAL TUNING 10-19MHZ (.1, 1, 10, 100KHZ)

5	MMX-4	
QTY/UNIT	MODEL USED ON	ASS'Y NO.
	APPLICATION	
	CODE	

NOTICE TO PERSONS RECEIVING THIS DRAWING
 THE TECHNICAL MATERIEL CORPORATION claims proprietary right in the material disclosed hereon. This drawing is issued in confidence for engineering information only and may not be reproduced or used to manufacture anything shown hereon without permission from THE TECHNICAL MATERIEL CORPORATION to the user. This drawing is loaned for mutual assistance and is subject to recall at any time.

QTY. REQ.	ITEM	PART NO.	DESCRIPTION	SYMBOL
LIST OF MATERIAL				
THE TECHNICAL MATERIEL CORP. MAMARONECK, NEW YORK				
SCHEMATIC DIAGRAM TUNABLE COMB FILTER .1, 1, 10, 100KHZ, 1MHZ				
FINAL APPROVAL		DATE		
MECH. DES.		DATE		
ELECT. DES.		DATE		
CHECKED		DATE		
DRAWN		DATE		
MATERIAL		SIZE CODE IDENT.NO DWG NO.		
FINISH		C 82679 CK2269		
SCALE		SHEET OF		