

5

4

3

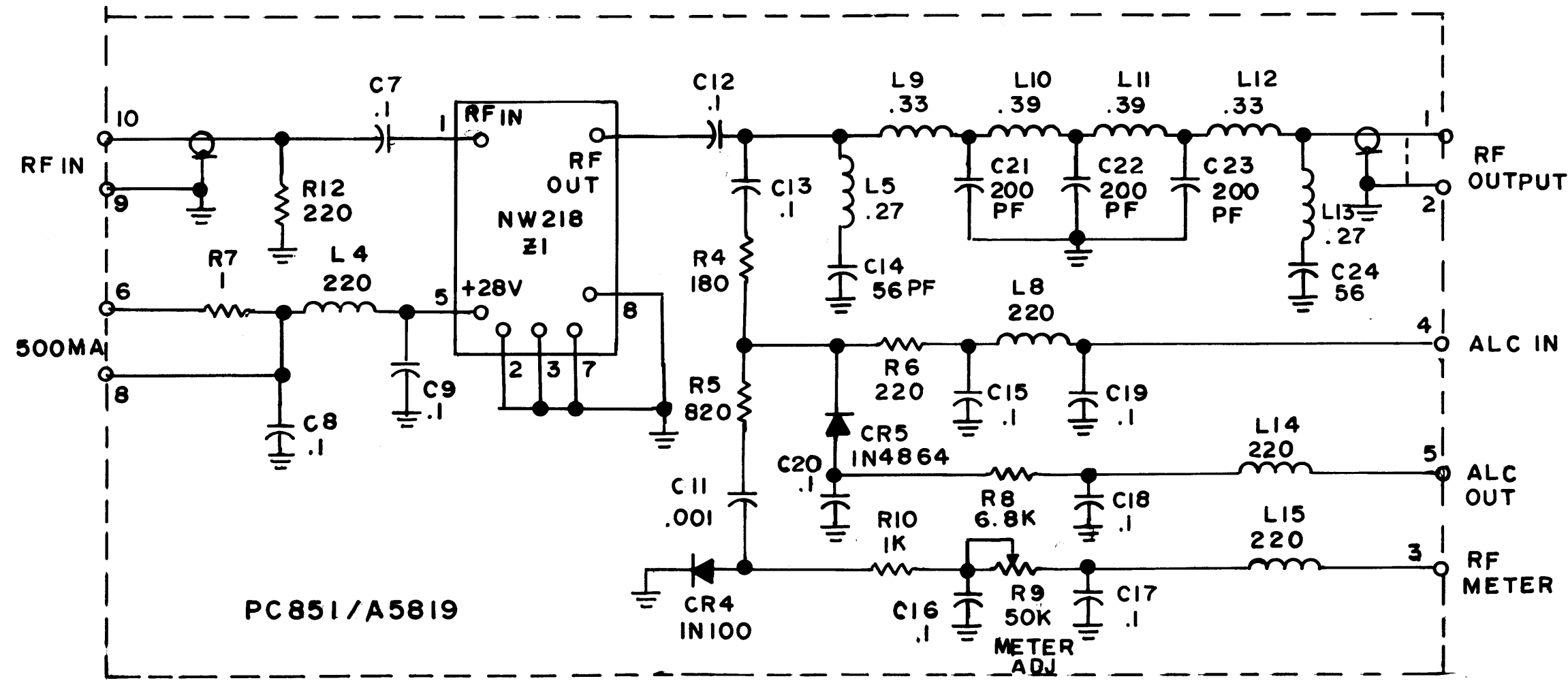
2

1

REVISIONS

E.M.N. NO.	DRAFT	CHKD	ZONE	LTR	DESCRIPTION	DATE	APPROVED
				X3	REDRAWN	2-25-88	
				X4	VOA MODIFIED (C25, B0PF removed)	12-15-89	

LAST SYMBOL MISSING SYMBOL
 C24 C1 - C6
 L15 L1, L2, L3, L6, L13, L7
 CR5 R1, R2, R3
 R12 CR1, CR2, CR3



UNLESS OTHERWISE SPECIFIED
 1- ALL RESISTANCE ARE IN OHM, 1/4W
 2- ALL CAPACITANCE ARE IN UF
 3- ALL INDUCTANCE ARE IN UH

MMX-4		
QTY / UNIT	MODEL USED ON	ASS'Y NO.
APPLICATION		
CODE		

NOTICE TO PERSONS RECEIVING THIS DRAWING
 THE TECHNICAL MATERIEL CORPORATION claims proprietary right in the material disclosed hereon. This drawing is issued in confidence for engineering information only and may not be reproduced or used to manufacture anything shown hereon without permission from THE TECHNICAL MATERIEL CORPORATION to the user. This drawing is loaned for mutual assistance and is subject to recall at any time.

UNLESS OTHERWISE SPECIFIED
 DIMENSIONS ARE IN INCHES
 AND INCLUDE CHEMICALLY APPLIED
 OR PLATED FINISHES

DECIMALS	FRACTIONS
.X ± .05	1/64
.XX ± .01	ANGLES
.XXX ± .005	0° - 30'

MATERIAL
 FINISH

REQ'D	ITEM	PART NUMBER	DESCRIPTION	SYM.
LIST OF MATERIAL				
FINAL APPROVAL				
MECH. DES.				
ELECT. DES.				
CHECKED				
DRAWN G.D.L.				
DATE 2-25-88				
SIZE	CODE IDENT. NO.	DWG NO.	ISSUE	
B	82679	CK2268	X4	
SCALE			SHEET	OF

THE TECHNICAL MATERIEL CORP.
 MAMARONECK, NEW YORK
 SCHEMATIC DIAGRAM
 RF OUTPUT

5

4

3

2

1