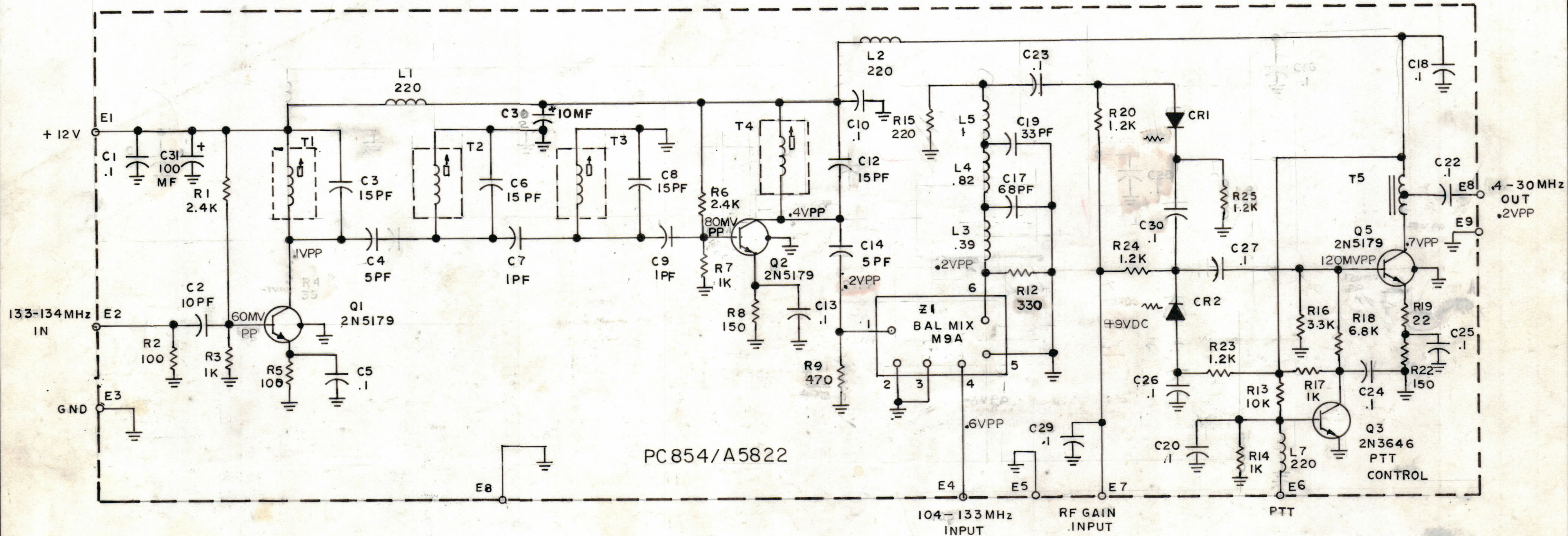


REVISIONS						
ZONE	LTR	DESCRIPTION	DATE	E.M.N.O	DRAFT	CHKD APPD
	X1	R125 WAS L7				
	X2	R12 WAS 100; R21 WAS 100				
	X3	RELEASE FOR PRODUCTION				
	X4	R19 WAS 43Ω	2-23-85		GDL	
	X5	C30, C31 ADD. Z1 WAS M6	3-7-89		GDL	

ALL READINGS TAKEN AT 29 MHz
100 mW OUTPUT (REPRODUCIBLE)



PC854/A5822

UNLESS OTHERWISE SPECIFIED
1- ALL CAPACITANCE ARE IN UFD
2- ALL INDUCTANCE ARE IN UH
3- ALL RESISTANCE ARE IN OHM

LAST SYMBOL MISSING SYMBOL
C32 C11, C15, C21, C16
L7 L6
Q5 Q4
R25 R10, R11
T5
Z1
CR2

ALL VOLTAGES TAKEN AT 29 MHz
100 mW OUTPUT

QTY / UNIT	MODEL USED ON	ASS'Y NO.
	MMX-4	
APPLICATION		
	CODE	
NOTICE TO PERSONS RECEIVING THIS DRAWING THE TECHNICAL MATERIEL CORPORATION claims proprietary right in the material disclosed hereon. This drawing is issued in confidence for engineering information only and may not be reproduced or used to manufacture anything shown hereon without permission from THE TECHNICAL MATERIEL CORPORATION to the user. This drawing is loaned for mutual assistance and is subject to recall at any time.		

QTY. REQ.	ITEM	PART NO.	DESCRIPTION	SYMBOL
LIST OF MATERIAL				
FINAL APPROVAL		DATE		
MECH. DES.		DATE		
ELECT. DES.		DATE		
CHECKED		DATE 8-2-85		
DRAWN		DATE 7-25-85		
TOLERANCES ON				
DECIMALS		FRACTIONS		
.X ± .05		± 1/64		
.XX ± .01		ANGLES		
.XXX ± .005		± 0°-30'		
MATERIAL				
FINISH				

QTY. REQ.	ITEM	PART NO.	DESCRIPTION	SYMBOL
LIST OF MATERIAL				
THE TECHNICAL MATERIEL CORP. MAMARONECK, NEW YORK				
SCHEMATIC DIAGRAM TRANSLATOR				
SIZE	CODE IDENT. NO.	DWG NO.	ISSUE	
C	82679	CK 2267	X5	
SCALE	SHEET			OF