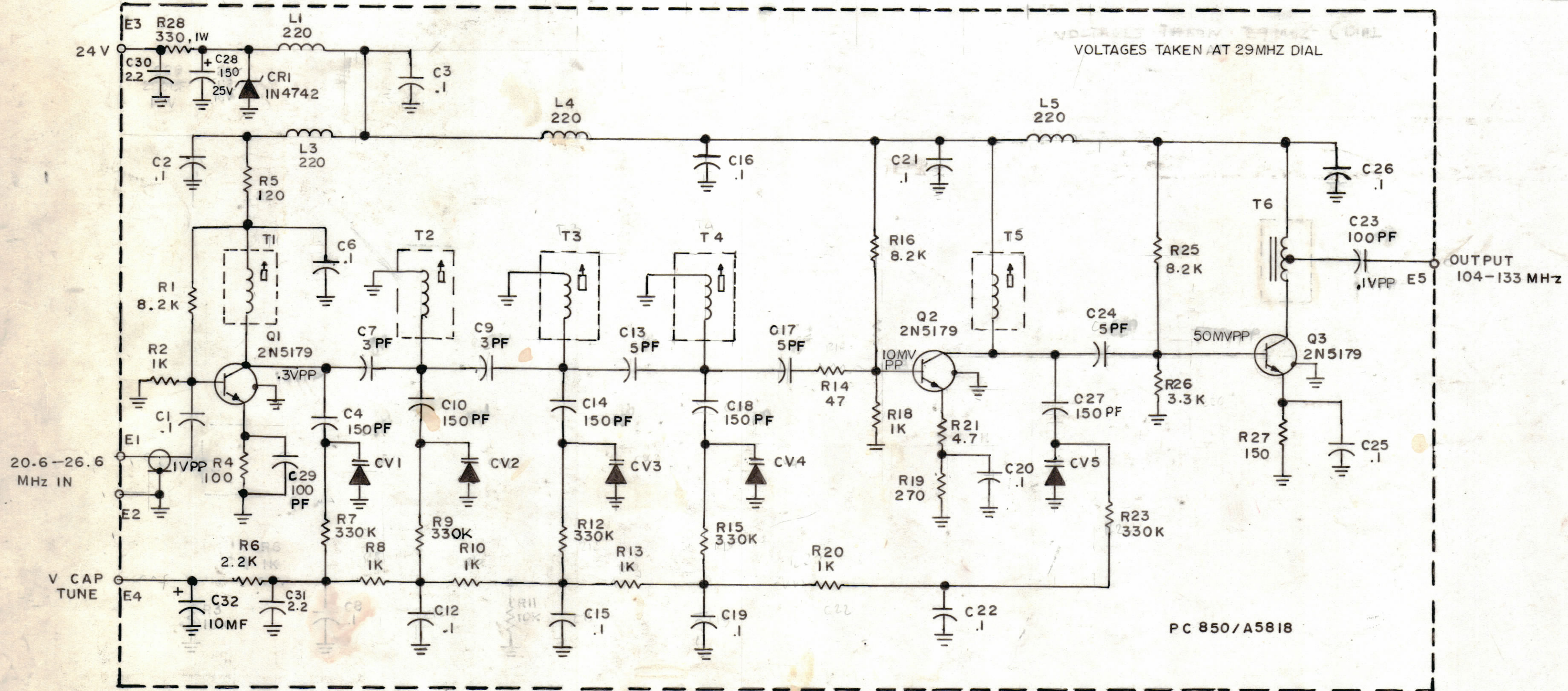


UNLESS OTHERWISE SPECIFIED
 1- ALL RESISTANCES ARE IN OHMS, 1/AW
 2- ALL CAPACITANCES ARE IN μ FD.
 3- ALL INDUCTANCES ARE IN μ H
 4- ALL CV ARE MV2105

DIAL	X5FREQ	V CAP	DIAL	X5FREQ	V CAP	DIAL	X5FREQ	V CAP
29	104	.4	18	115		6	127	
28	105		17	116	1.8	5	128	4.7
27	106		16	117		4	129	
26	107	.65	15	118		3	130	6.0
25	108		14	119	2.2	2	131	
24	109		13	120		1	132	
23	110	.9	12	121		0	133	6.5
22	111		11	122	3.0			
21	112		10	123				
20	113	1.3	9	124				
19	114		8	125	3.8			
			7	126				

REVISIONS							
ZONE	LTR	DESCRIPTION	DATE	E.M.N.NO	DRAFT	CHKD	APPD
	X2	C30 & C31 ADD	7-26-85				
	X3	R3, C8 R11 DEL. C28 WAS 220UF 16V	2-24-88				
	X4	C32 ADDED	3-1-89				



LAST SYMBOL

- C32
- L5
- CR1
- CV5
- Q3
- R28
- T6

MISSING SYMBOL

- C11, C5, C8
- R17, R22, R3, R5, R11, R24
- L2

I	MMX-4	
QTY / UNIT	MODEL USED ON	ASS'Y NO.
APPLICATION		
CODE		

NOTICE TO PERSONS RECEIVING THIS DRAWING
 THE TECHNICAL MATERIEL CORPORATION claims proprietary right in the material disclosed hereon. This drawing is issued in confidence for engineering information only and may not be reproduced or used to manufacture anything shown hereon without permission from THE TECHNICAL MATERIEL CORPORATION to the user. This drawing is loaned for mutual assistance and is subject to recall at any time

UNLESS OTHERWISE SPECIFIED
 DIMENSIONS ARE IN INCHES
 AND INCLUDE CHEMICALLY APPLIED
 OR PLATED FINISHES

TOLERANCES ON

DECIMALS	FRACTIONS
.X \pm .05	\pm 1/64
.XX \pm .01	ANGLES
.XXX \pm .005	\pm 0' - 30'

MATERIAL
 FINISH

QTY. REQ.	ITEM	PART NO.	DESCRIPTION	SYMBOL
LIST OF MATERIAL				
THE TECHNICAL MATERIEL CORP. MAMARONECK, NEW YORK				
SCHEMATIC DIAGRAM 103 X 5 AMP Hz AMP. (103 - 133 MHz)				
SIZE	CODE	IDENT. NO.	DWG NO.	ISSUE
C	82679		CK2265	X4
SCALE				SHEET OF

FINAL APPROVAL	DATE
MECH. DES.	DATE
ELECT. DES.	DATE
CHECKED <i>G.D.L.</i>	DATE 7-9-85
DRAWN G.D.L.	DATE 7-9-85