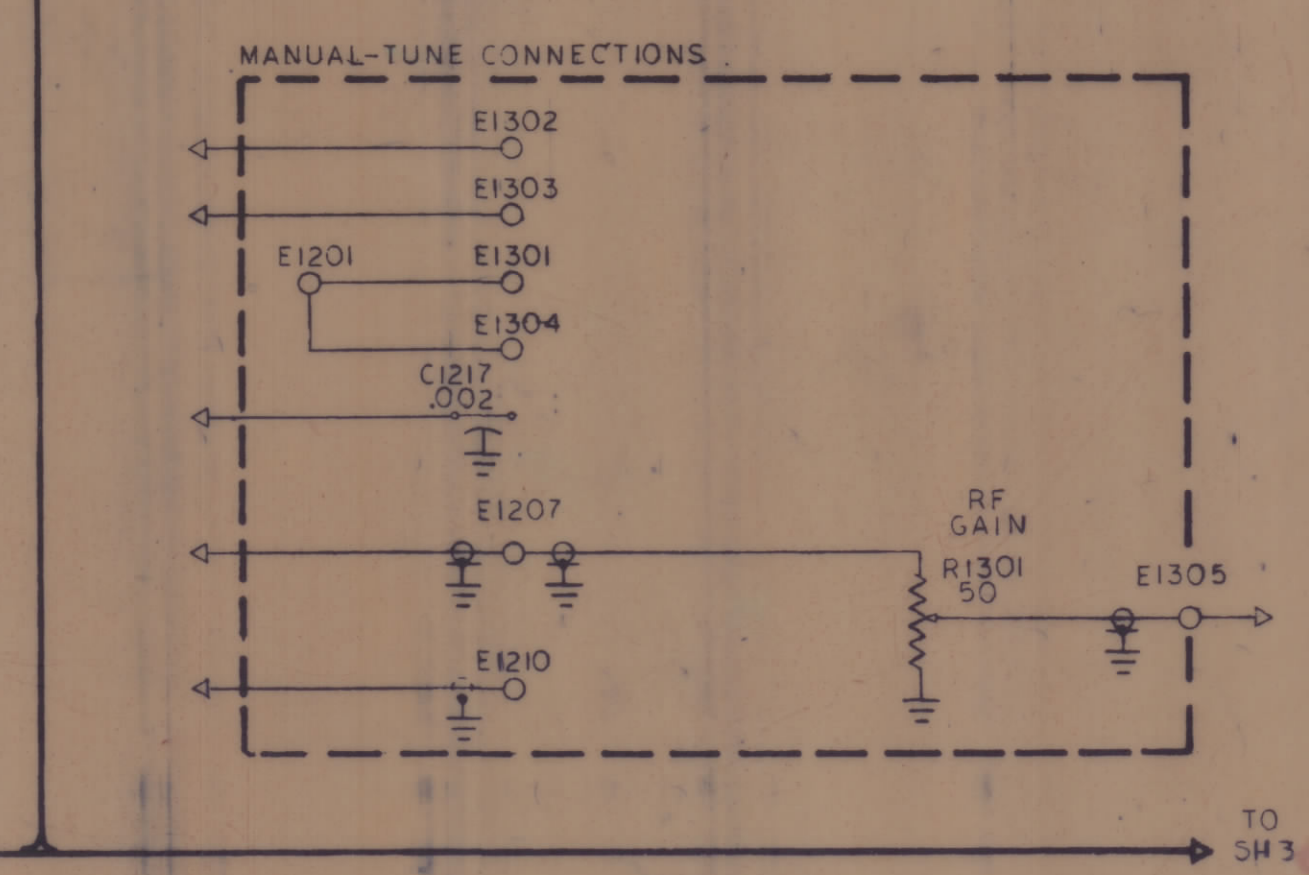
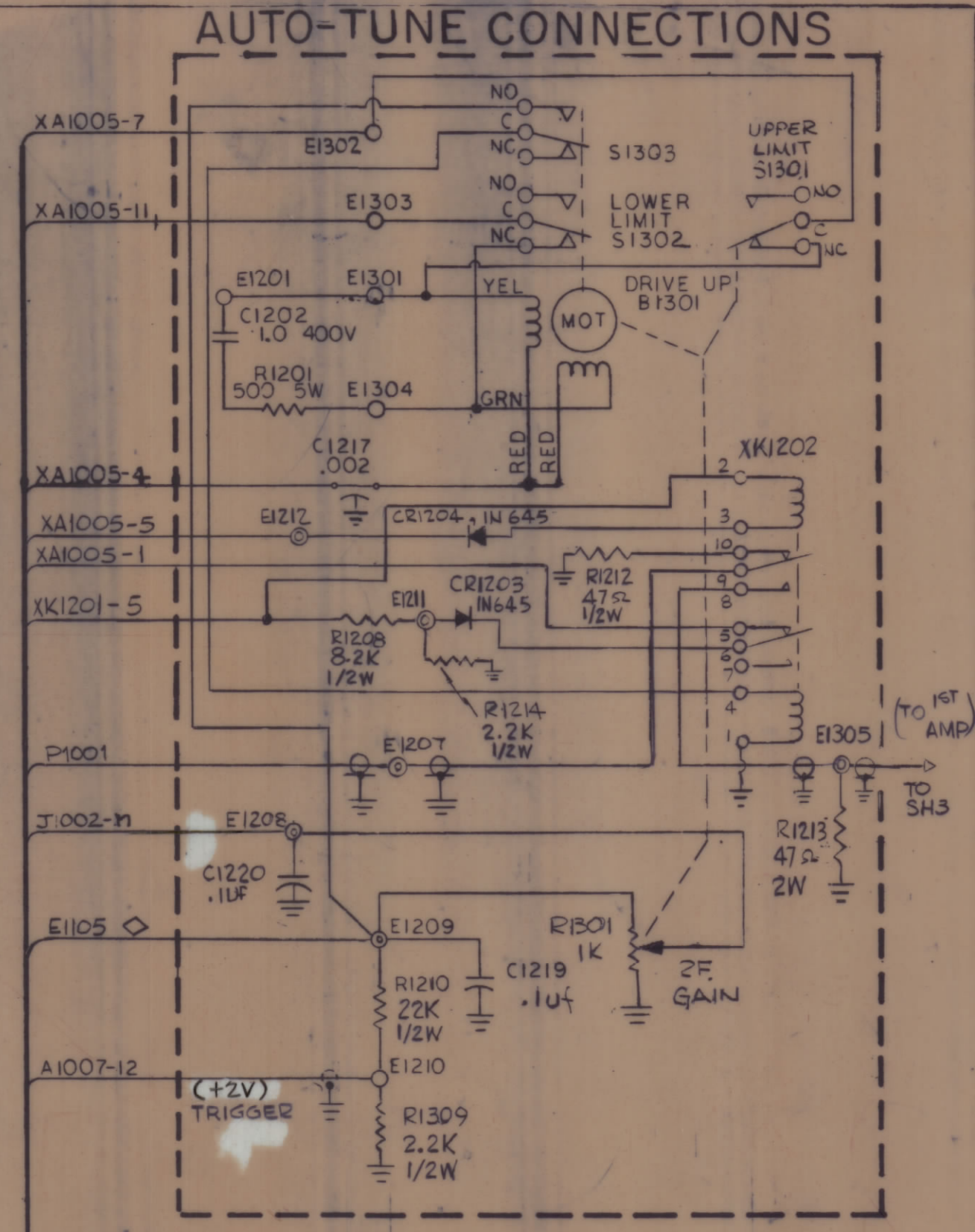
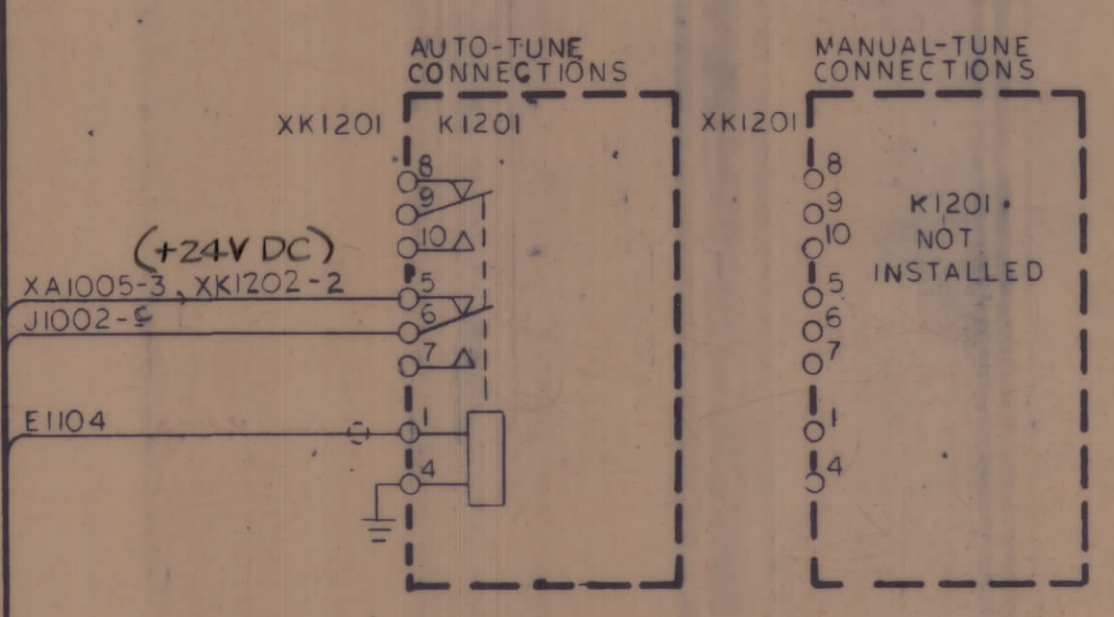
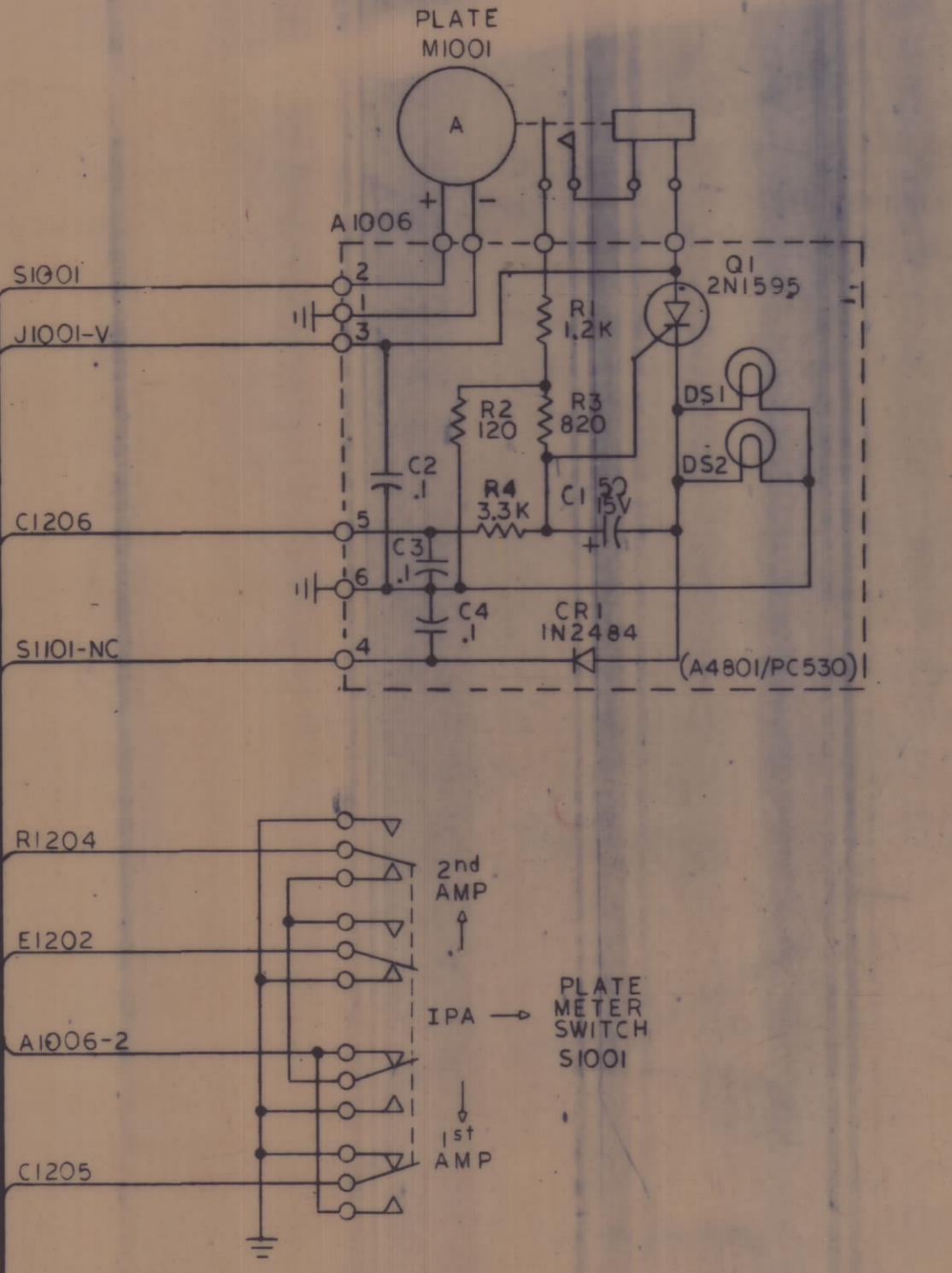


(A5629) NOT USED WITH MANUAL TRANSMITTER



1000		A1001		A1001A		A1002	
LAST SYMBOLS	MISS SYM	LAST SYM	MISS SYM	LAST SYM	MISS SYM	LAST SYM	MISS SYM
A1008	XA1005	A1		C12		C11	
C1001	XF1004	B1		E12		CR1	
E1001		C5				E23	
F1004		S2				J1	
J1007						K1	
L1001						L3	
M1001						R3	
P1001						S2	
S1001						XK1	

FOR A1003 & A1004 SYMBOL CHARTS SEE APPROPRIATE SCHEMATICS.

REVISIONS						
ZONE	178	DATE	BY	NO	DRAFT	APPD

NOTICE TO PERSONS RECEIVING THIS DRAWING
THE TECHNICAL MATERIEL CORP. CONSIDERS THIS DRAWING AS THE PROPERTY OF THE COMPANY AND IT IS NOT TO BE REPRODUCED OR COPIED IN ANY MANNER WITHOUT THE WRITTEN PERMISSION OF THE COMPANY. THIS DRAWING IS LOANED TO YOU BY THE COMPANY AND IS TO BE RETURNED TO THE COMPANY UPON REQUEST.

FINAL APPROV: *[Signature]* DATE: 10/26/78

TECH DES: *[Signature]*

CHECKED: *[Signature]*

DRAWN: G.D.L. DATE: 5-11-78

THE TECHNICAL MATERIEL CORP.
MAMARONECK, NEW YORK

DIAGRAM, SCHEMATIC
DRIVER DRAWER AX 5235

SIZE CODE IDENT. NO. DWG NO. ISSUE
82679 CK2194

SCALE SHEET 2 OF 4