

5

4

3

2

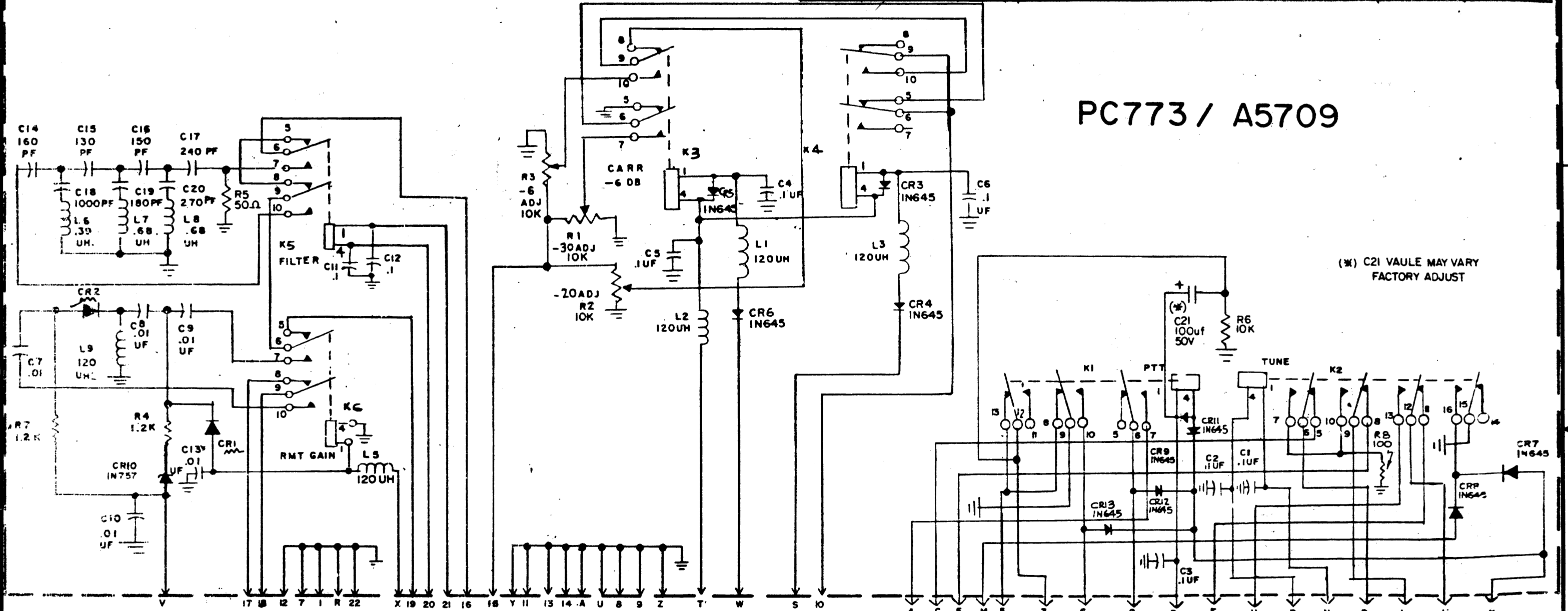
1

REVISIONS

E.M.N. NO.	DRAFT	CHKD	ZONE	LTR	DESCRIPTION	DATE	APPROVED
					ORIGINAL RELEASE for PRODUCTION	5-1-81	

# PC773 / A5709

(\*) C21 VAULE MAY VARY  
FACTORY ADJUST



REQ'D	ITEM	PART NUMBER	DESCRIPTION	SYM.
LIST OF MATERIAL				
THE TECHNICAL MATERIEL CORP. MAMARONECK, NEW YORK				
SCHEMATIC DIAGRAM PTT / CARRIER				
SIZE	CODE IDENT. NO.	DWG NO.	ISSUE	
B	82679	CK2192	Ø	
SCALE			SM666	OF

1	MMX-2B	A5709
QTY / UNIT	MODEL USED ON	ASS'Y NO.
APPLICATION		
CODE		
<p><b>NOTICE TO PERSONS RECEIVING THIS DRAWING</b>          THE TECHNICAL MATERIEL CORPORATION claims proprietary right in the material disclosed hereon. This drawing is issued in confidence for engineering information only and may not be reproduced or used to manufacture anything shown hereon without permission from THE TECHNICAL MATERIEL CORPORATION to the user. This drawing is loaned for mutual assistance and is subject to recall at any time.</p>		

UNLESS OTHERWISE SPECIFIED  
DIMENSIONS ARE IN INCHES  
AND INCLUDE CHEMICALLY APPLIED  
OR PLATED FINISHES

DECIMALS      FRACTIONS  
.X ± .05      TOLS.      1/64  
.XX ± .01      ANGLES  
.XXX ± .005      0° - 30'

MATERIAL

FINISH

FINAL APPROVAL	DATE
MECH. DES.	DATE
ELECT. DES.	DATE
CHECKED	DATE
DRAWN	DATE

5

4

3

2

1