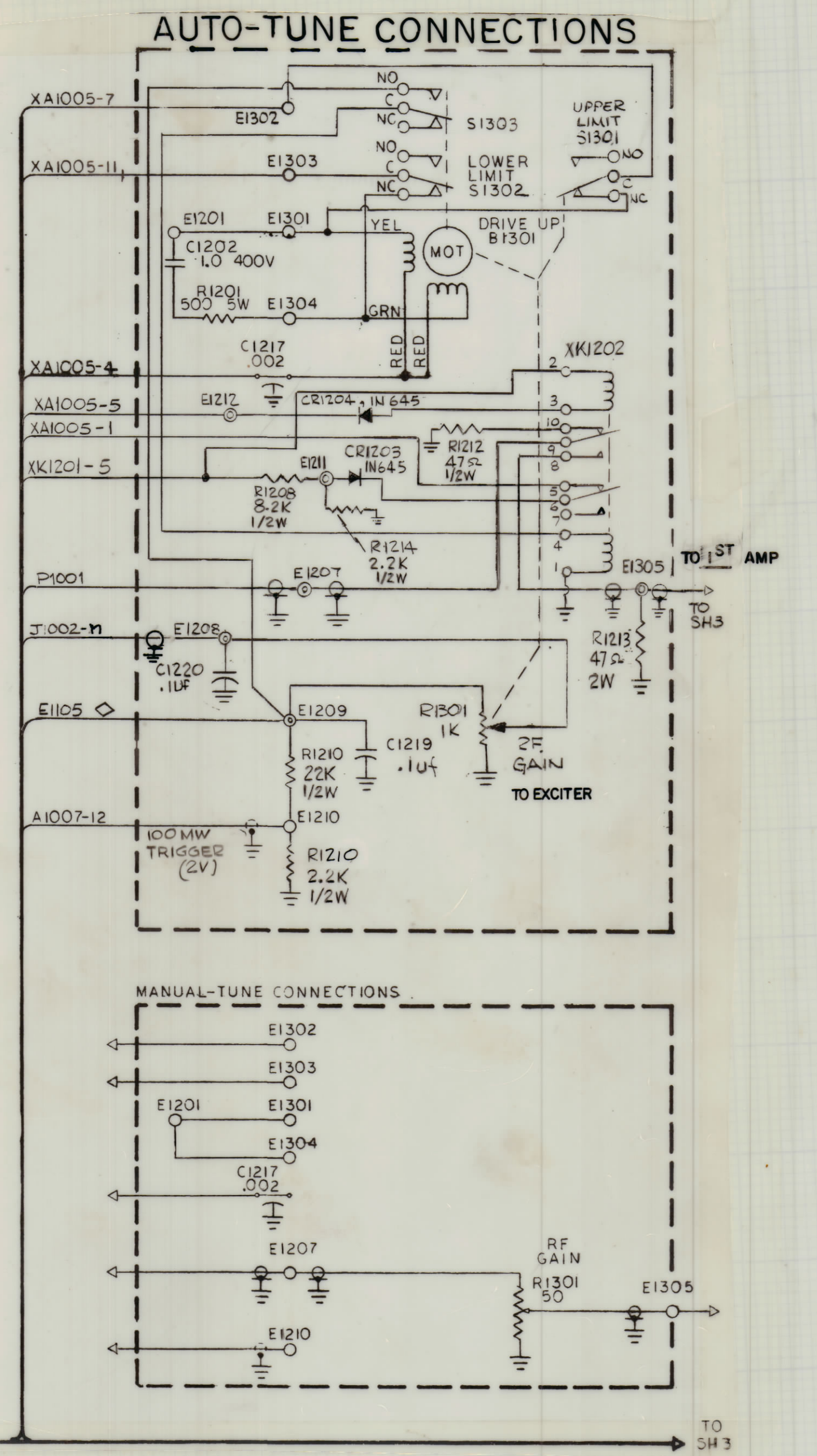
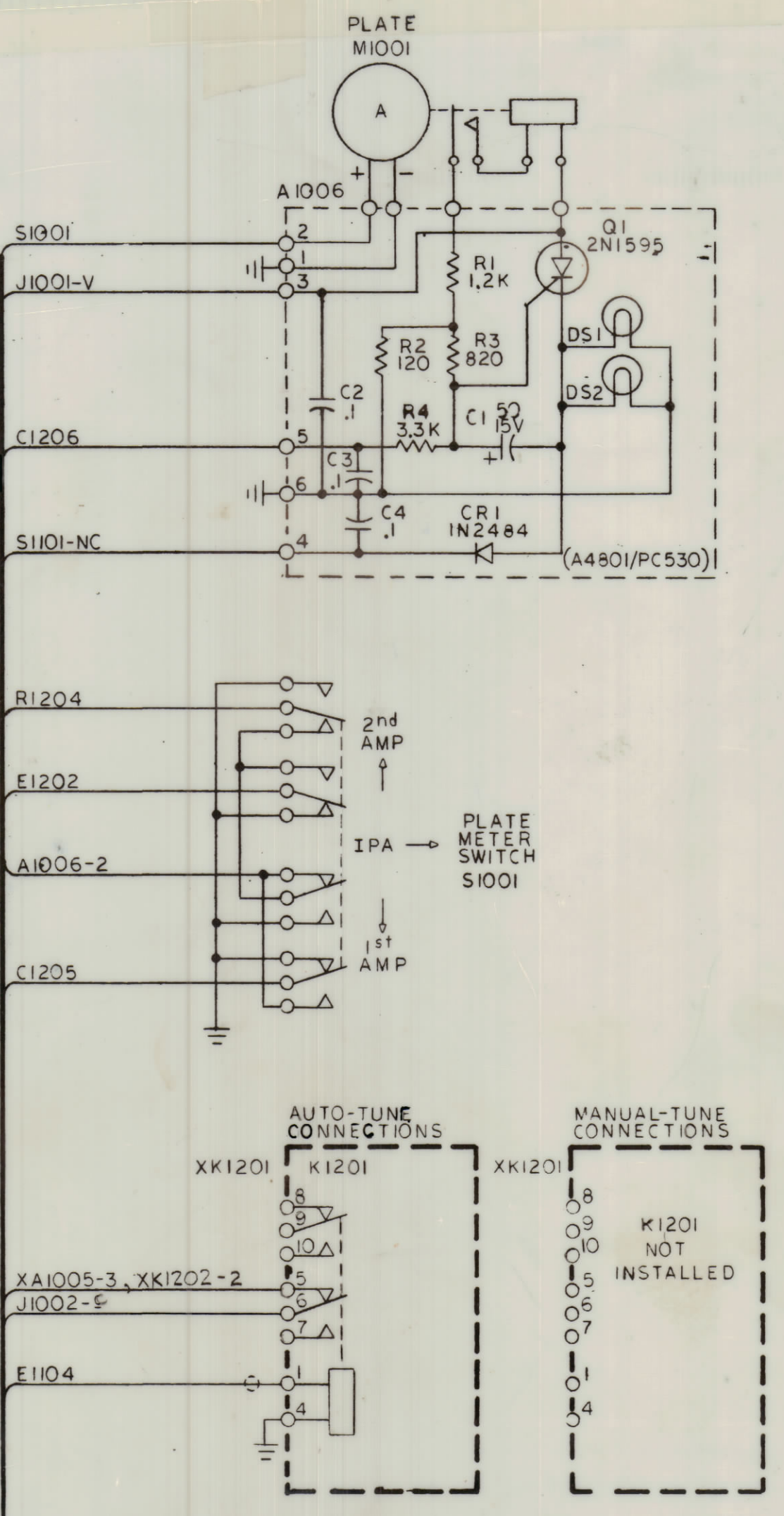
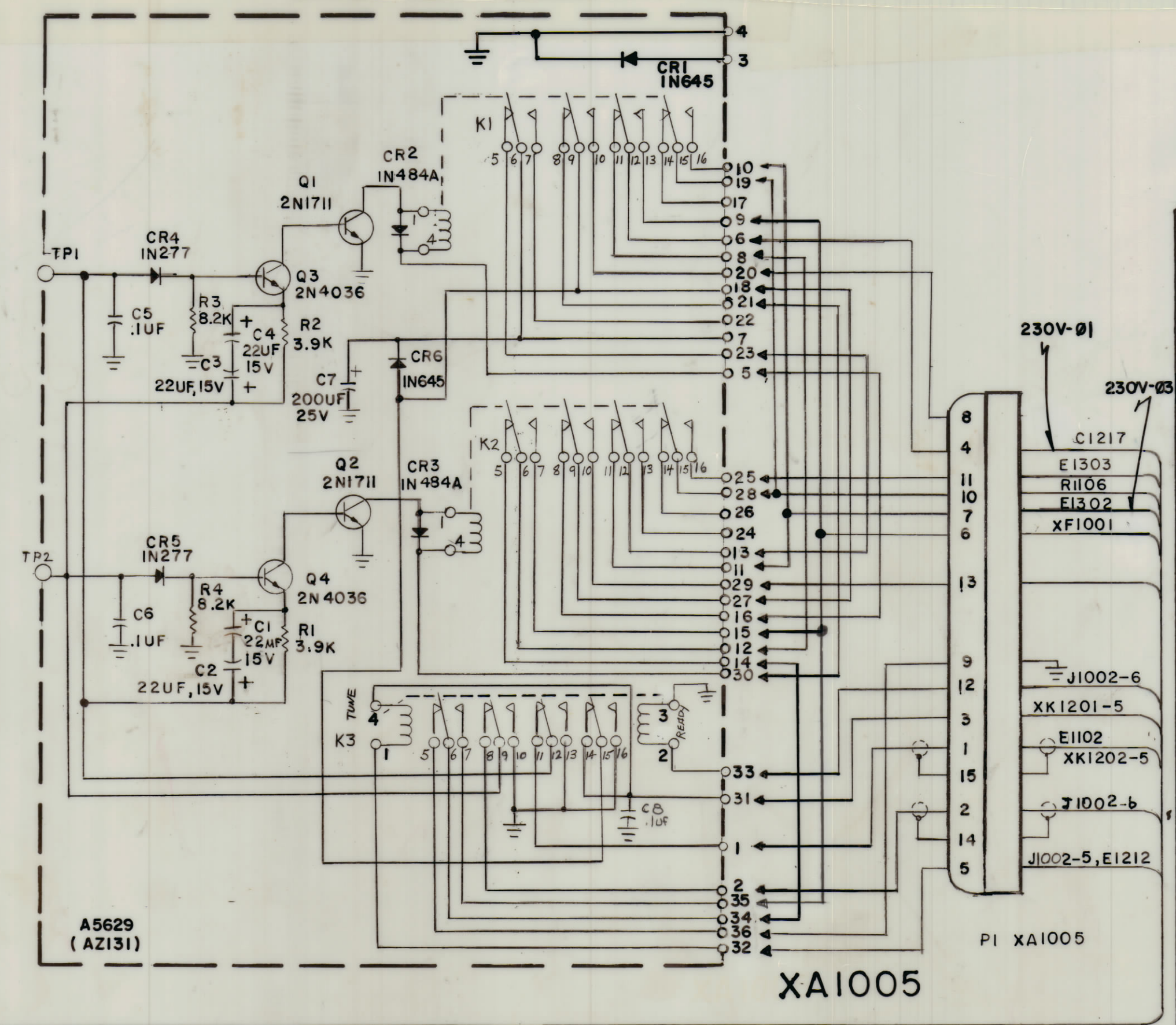
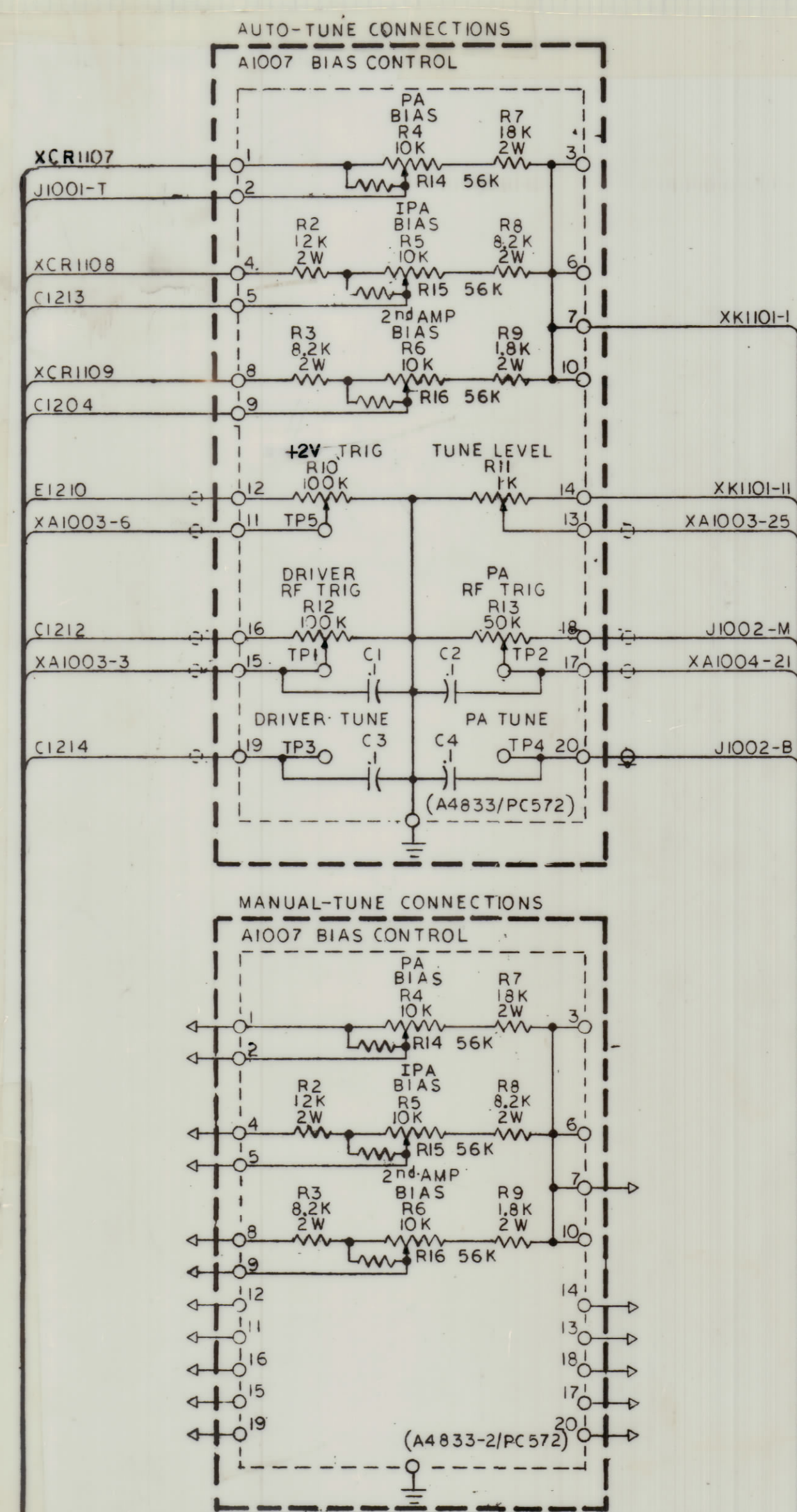


REVISIONS						
ZONE	LTR	DESCRIPTION	DATE	E.M.N.O	DRAFT	CHKD APPD
		ORIGINAL RELEASE	9-26-80			
A		SEE SHEET ①	10-16-80		RU	



TO SH1

TO SH3

AIO07	
LAST SYM	MISS SYM
C4	
E20	
R16	R1
TP5	

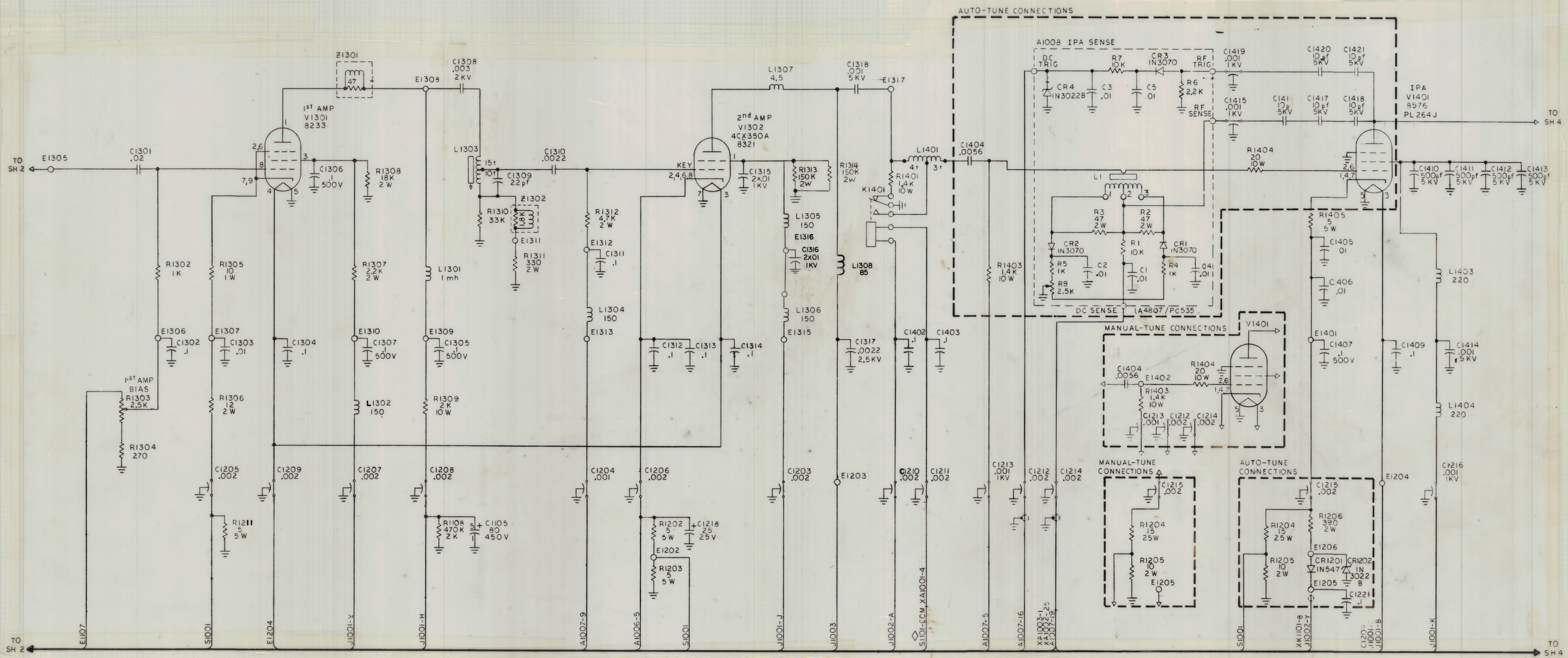
AIO05	
LAST SYM	MISS SYM
C8	
CR6	
K3	
Q4	
R4	

AIO06	
LAST SYM	MISS SYM
C4	
CR1	
DS2	
E6	
Q1	
R4	
XDS2	

LAST SYM	MISS SYM

LIST OF MATERIAL			
FINAL APPROVAL	DATE	10/26/80	
MECH. DES.	DATE		
ELECT. DES.	DATE		
CHECKED	DATE		
DRAWN	DATE	8-21-80	
		THE TECHNICAL MATERIEL CORP. MAMARONECK, NEW YORK	
		DIAGRAM SCHEMATIC AX5232 DRIVER DRAWER	
SIZE	CODE IDENT. NO.	DWG. NO.	ISSUE
	82679	CK2179	A
SCALE			SHEET 2 OF 4

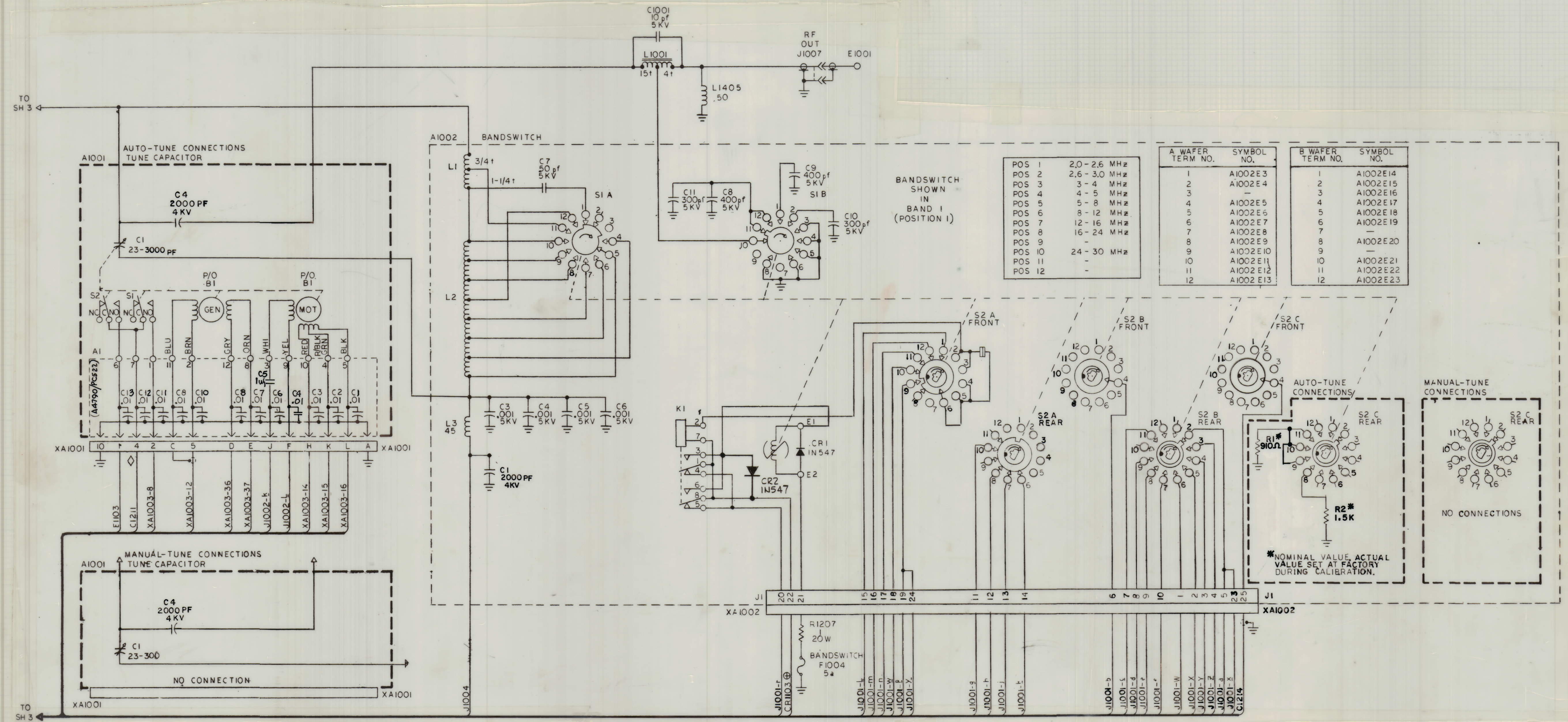
REVISIONS						
ZONE	LTR	DESCRIPTION	DATE	E.M.N.O	DRAFT	CHKD APPD
		ORIGINAL RELEASE	7-26-80			
A		SEE SHEET ①	10-16-80			RU



1200		1300		1400		A1008	
LAST SYM	MISS SYM	LAST SYM	MISS SYM	LAST SYM	MISS SYM	LAST SYM	MISS SYM
C1221	C1201	B1301		B1401	C1401,8	C5	
CR1204		C1318		C1421		CR4	
E1212		E1317		E1402		L1	
K1202		L1308		K1401		RB	
R1214		R1314		L1405	L1402		
S1201		S1303		R1405	R1402		
XK1201		V1302		S1401			
		XV1302		V1401			
		Z1302		XV1401			

QTY. REQ.	ITEM	PART NO.	DESCRIPTION	SYMBOL
LIST OF MATERIAL				
THE TECHNICAL MATERIEL CORP. MAMARONECK, NEW YORK				
DIAGRAM SCHEMATIC AX5232 DRIVER DRAWER				
FINAL APPROVAL	DATE			
MECH. DES.	DATE			
ELECT. DES.	DATE			
CHECKED	DATE			
DRAWN	DATE			
SIZE		CODE IDENT. NO.	DWG. NO.	ISSUE
		82679	CK2179	A
SCALE				SHEET 3 OF 4

REVISIONS						
ZONE	LTR	DESCRIPTION	DATE	E.M.N.O	DRAFT	CHKD
	0	ORIGINAL RELEASE	7-26-80			
	A	SEE SHEET ①	10-16-80			



NOTE 1. PARTIAL REFERENCE DESIGNATIONS ARE SHOWN. FOR COMPLETE DESIGNATION PREFIX THE PART DESIGNATION WITH THE SUB ASSEMBLY DESIGNATION.

NOTE 2. IS REFERENCE INDICATOR FOR THE 24V. REGULATED DC SUPPLY.

NOTE 3. UNLESS OTHERWISE SPECIFIED:
ALL RESISTANCE VALUES IN OHMS 1/2 WATT
ALL CAPACITANCE VALUES IN MICROFARADS.
ALL INDUCTANCE VALUES IN MICROHENRIES

A1001		A1001A1		A1002	
LAST SYM	MISS SYM	LAST SYM	MISS SYM	LAST SYM	MISS SYM
A1		C12		CR1	
B1		E12		E23	
C4	C2,			J1	
S2				K1	
				L3	
				R2	
				S2	
				XK1	

QTY. REQ.	ITEM	PART NO.	DESCRIPTION	SYMBOL
LIST OF MATERIAL				
THE TECHNICAL MATERIEL CORP. MAMARONECK, NEW YORK				
DIAGRAM SCHEMATIC AX5232 DRIVER DRAWER				
FINAL APPROVAL	DATE			
MECH. DES.	DATE			
ELECT. DES.	DATE			
CHECKED	DATE			
DRAWN	DATE			
SIZE		CODE IDENT. NO.	DWG. NO.	ISSUE
		82679	CK2179	A
SCALE				SHEET 4 OF 4