

REVISIONS						
ZONE	LTR	DESCRIPTION	DATE	DRAFT	CHK'D	APPD

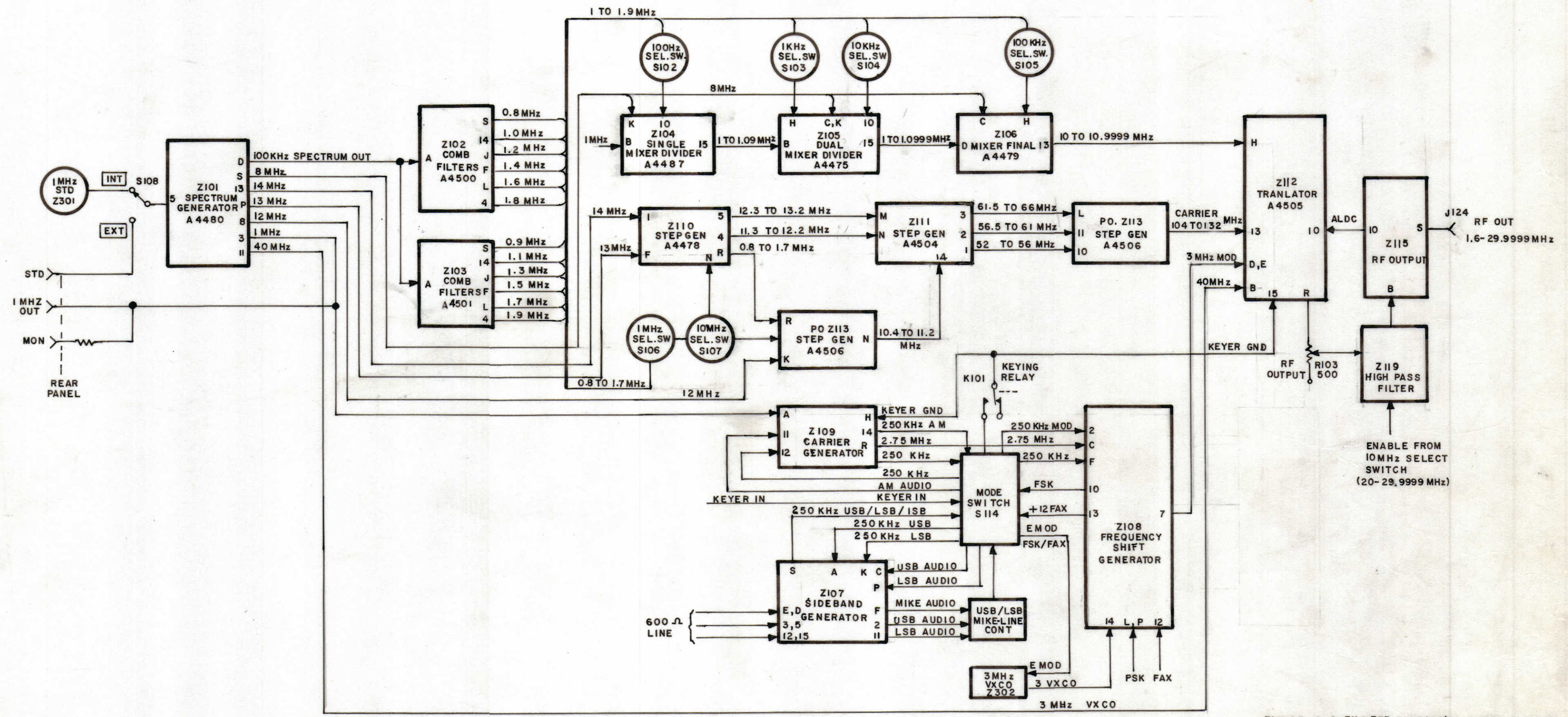


FIGURE 4-2 EXCITER, SIMPLIFIED BLOCK DIAGRAM

QTY. REQ.	ITEM	PART NO.	DESCRIPTION	SYMBOL										
LIST OF MATERIAL														
<b>THE TMC SYSTEMS AND POWER CORPORATION</b> SPRINGFIELD, VIRGINIA														
<table border="1" style="width: 100%;"> <tr> <td>FINAL APPROVAL</td> <td>DATE</td> </tr> <tr> <td>MECH. DES.</td> <td>DATE</td> </tr> <tr> <td>ELECT. DES.</td> <td>DATE</td> </tr> <tr> <td>CHECKED</td> <td>DATE</td> </tr> <tr> <td>DRAWN</td> <td>DATE</td> </tr> </table>					FINAL APPROVAL	DATE	MECH. DES.	DATE	ELECT. DES.	DATE	CHECKED	DATE	DRAWN	DATE
FINAL APPROVAL	DATE													
MECH. DES.	DATE													
ELECT. DES.	DATE													
CHECKED	DATE													
DRAWN	DATE													
MATERIAL			SIZE	CODE IDENT. NO.										
FINISH			C	24146										
			DWG NO.	CKZ166										
			SCALE	SHEET OF										

**INTERPRET DRAWING PER LISTED DOCUMENTS**

DIMENSIONING  
MIL - STD - 8  
SURFACE ROUGHNESS  
MIL - STD - 10  
ABBREVIATIONS  
MIL - STD - 12  
ELECTRONIC SYMBOLS  
MIL - STD - 15  
WELDING SYMBOLS  
JAN - STD - 19

**NOTICE TO PERSONS RECEIVING THIS DRAWING**  
THE TMC SYSTEMS AND POWER CORPORATION claims proprietary right in the material disclosed herein. This drawing is issued in confidence for engineering information only and may not be reproduced or used to manufacture anything shown hereon without permission from THE TMC SYSTEMS AND POWER CORPORATION to the user. This drawing is loaned for mutual assistance and is subject to recall at any time.