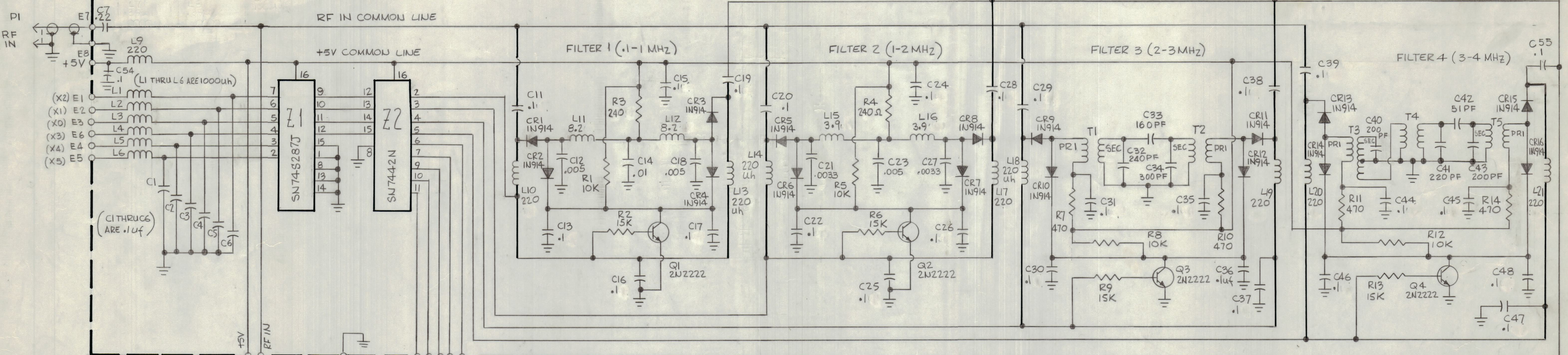


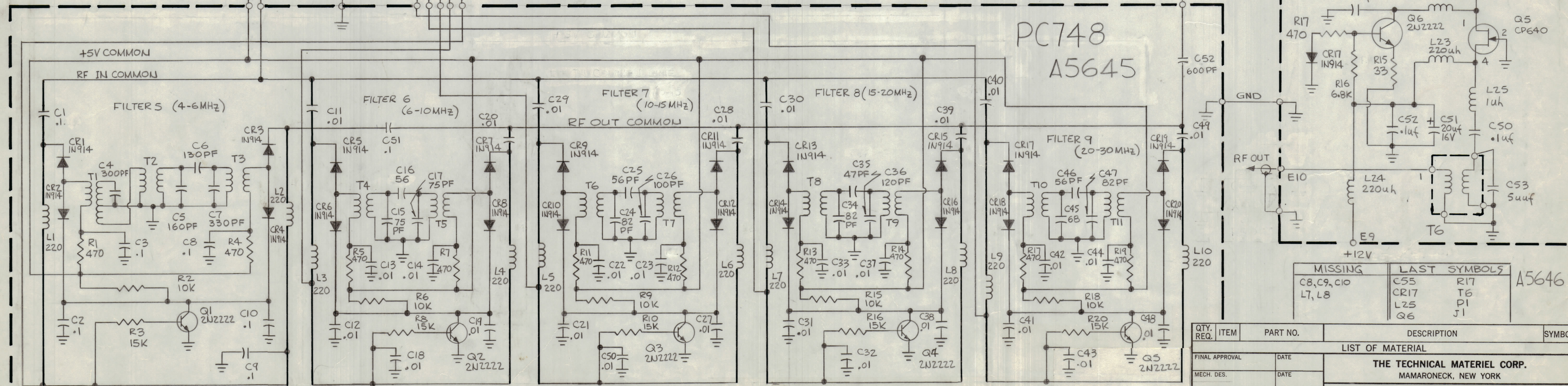
REVISIONS							
E.M.N.O	DRAFT	CHKD	ZONE	LTR	DESCRIPTION	DATE	APPROVED
GDL			X1		OUTPUT DESIGNATIONS CLARIFIED	12-13-76	
			X2		AT TERMINAL E10 J1 DELETED	2-3-77	

PC749 A5646

RF OUT COMMON LINE



PC748 A5645



MISSING	LAST SYMBOLS
C8, C9, C10	C55
L7, L8	CR17
	L25
	Q6
	R17
	T6
	P1
	J1

QTY. REQ.	ITEM	PART NO.	DESCRIPTION	SYMBOL
LIST OF MATERIAL				
THE TECHNICAL MATERIEL CORP. MAMARONECK, NEW YORK				
SCHEMATIC DIAGRAM PRE-SELECTOR MULTI BAND				
DRAWN R. UZZO DATE 11-23-76				
SIZE CODE IDENT NO. DWG NO. ISSUE				
D 82679 CK2152 X2				
SCALE SHEET OF				

NOTE - UNLESS OTHERWISE SPECIFIED  
 1- ALL CAPACITANCE VALUES ARE IN MICROFARADS  
 2- ALL RESISTANCE VALUES ARE IN OHMS 1/W  
 3- ALL INDUCTANCE VALUES ARE IN UHY

MISSING	LAST SYMBOLS
C52	Q5
CR20	R20
L10	T11

A5645