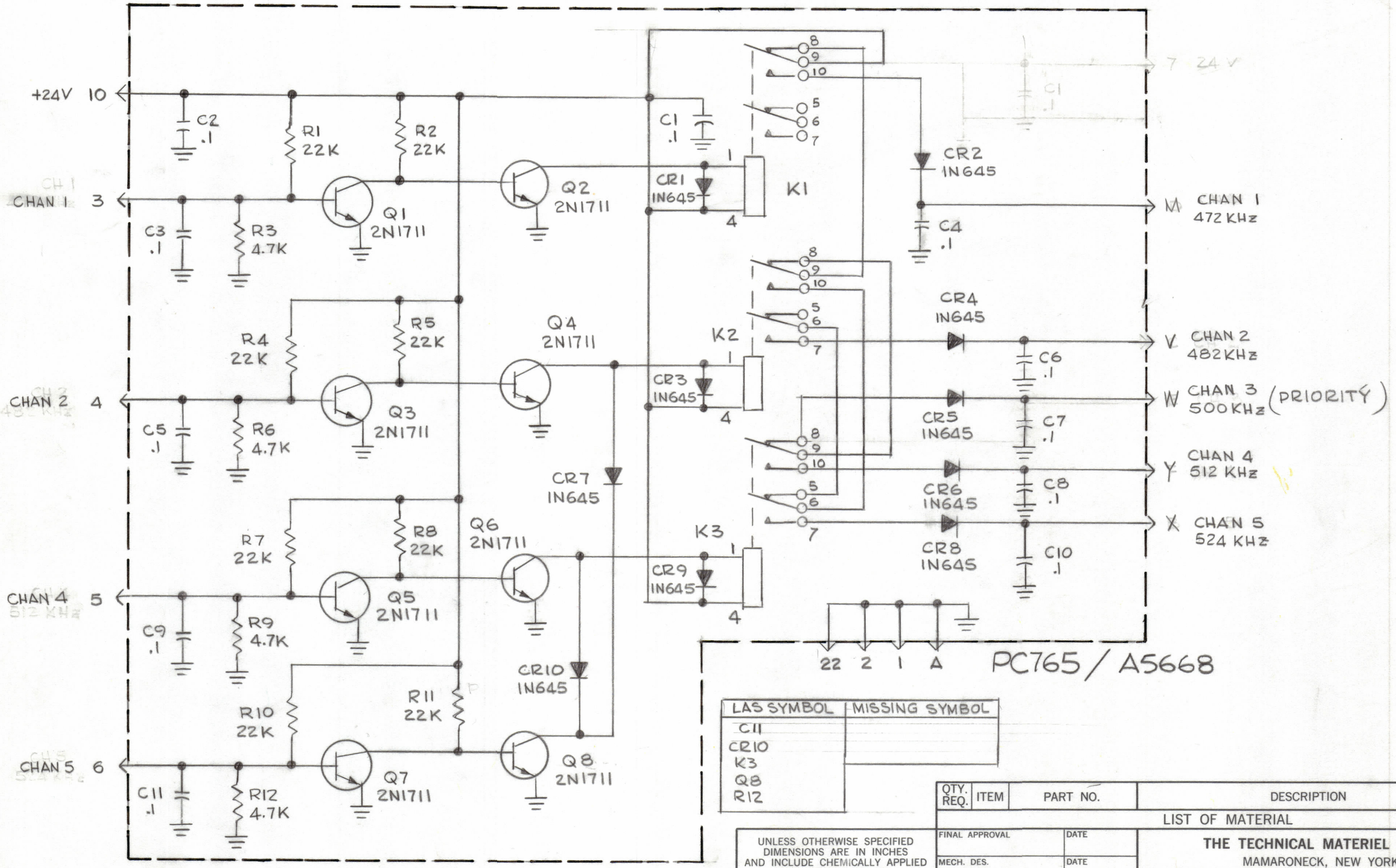


REVISIONS						
ZONE	LTR	DESCRIPTION	DATE	E.M.N.NO	DRAFT	CHKD APPD



LAS SYMBOL	MISSING SYMBOL
C11	
CR10	
K3	
Q8	
R12	

QTY. REQ.	ITEM	PART NO.	DESCRIPTION	SYMBOL
LIST OF MATERIAL				
THE TECHNICAL MATERIEL CORP. MAMARONECK, NEW YORK				
SCHEMATIC, DIAG. CHANNEL CARD (REMOTE)				
SIZE	CODE IDENT.NO.	DWG NO.	ISSUE	
C	82679	CK 2139		
SCALE	SHEET			OF

UNLESS OTHERWISE SPECIFIED DIMENSIONS ARE IN INCHES AND INCLUDE CHEMICALLY APPLIED OR PLATED FINISHES	
TOLERANCES ON	
DECIMALS	FRACTIONS
.X ± .05	± 1/64
.XX ± .01	ANGLES
.XXX ± .005	± 0° -30'
MATERIAL	
FINISH	

1	AX5221	A5668
QTY / UNIT	MODEL USED ON	ASSY NO.
APPLICATION		
CODE		
NOTICE TO PERSONS RECEIVING THIS DRAWING		
THE TECHNICAL MATERIEL CORPORATION claims proprietary right in the material disclosed herein. This drawing is issued in confidence for engineering information only and may not be reproduced or used to manufacture anything shown hereon without permission from THE TECHNICAL MATERIEL CORPORATION to the user. This drawing is loaned for mutual assistance and is subject to recall at any time.		

NOTES:
 1- ALL RESISTANCE VALUES ARE IN OHMS 1/4W
 2- ALL CAPACITANCE VALUES ARE IN MICROFARADS