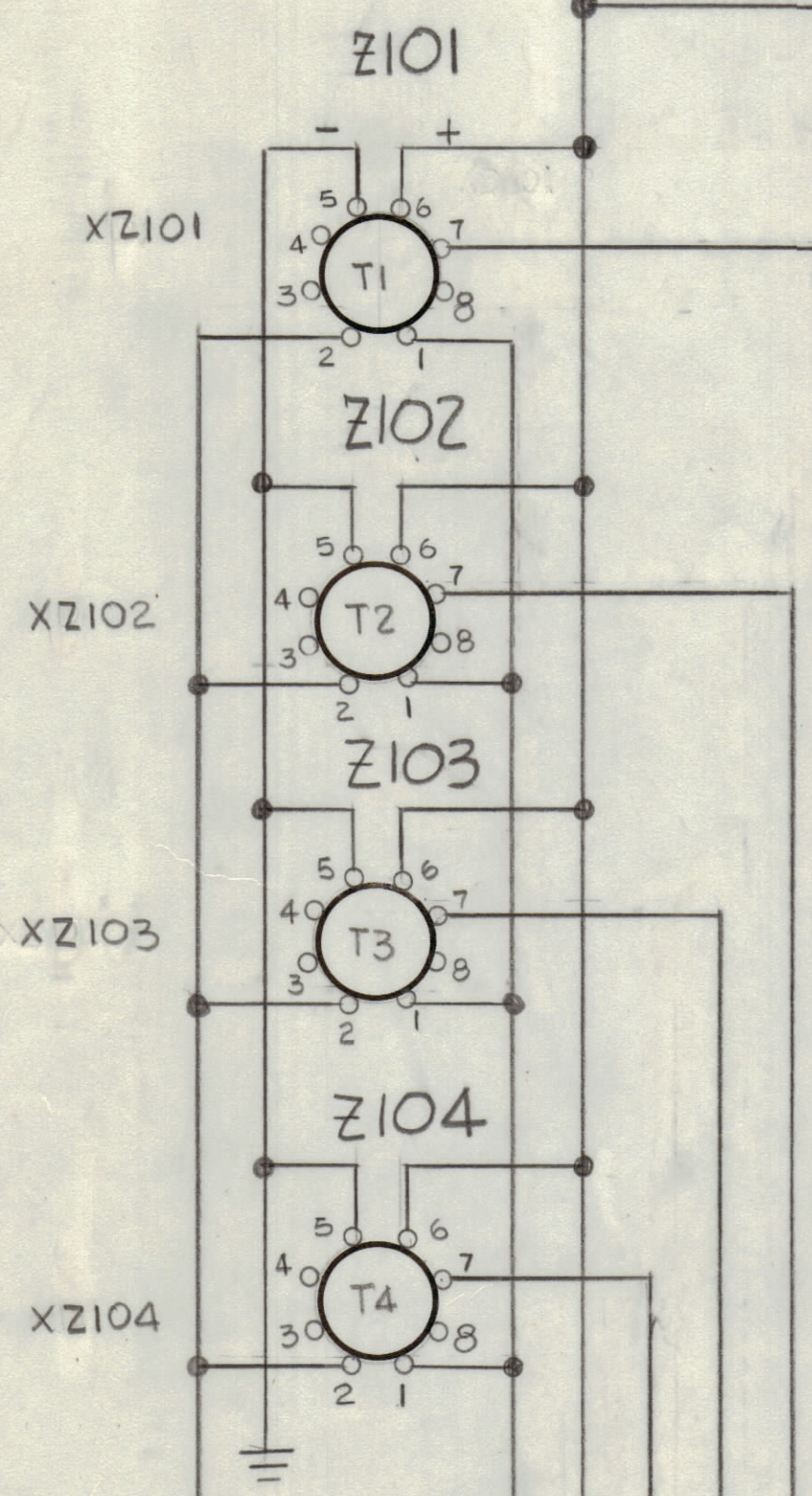
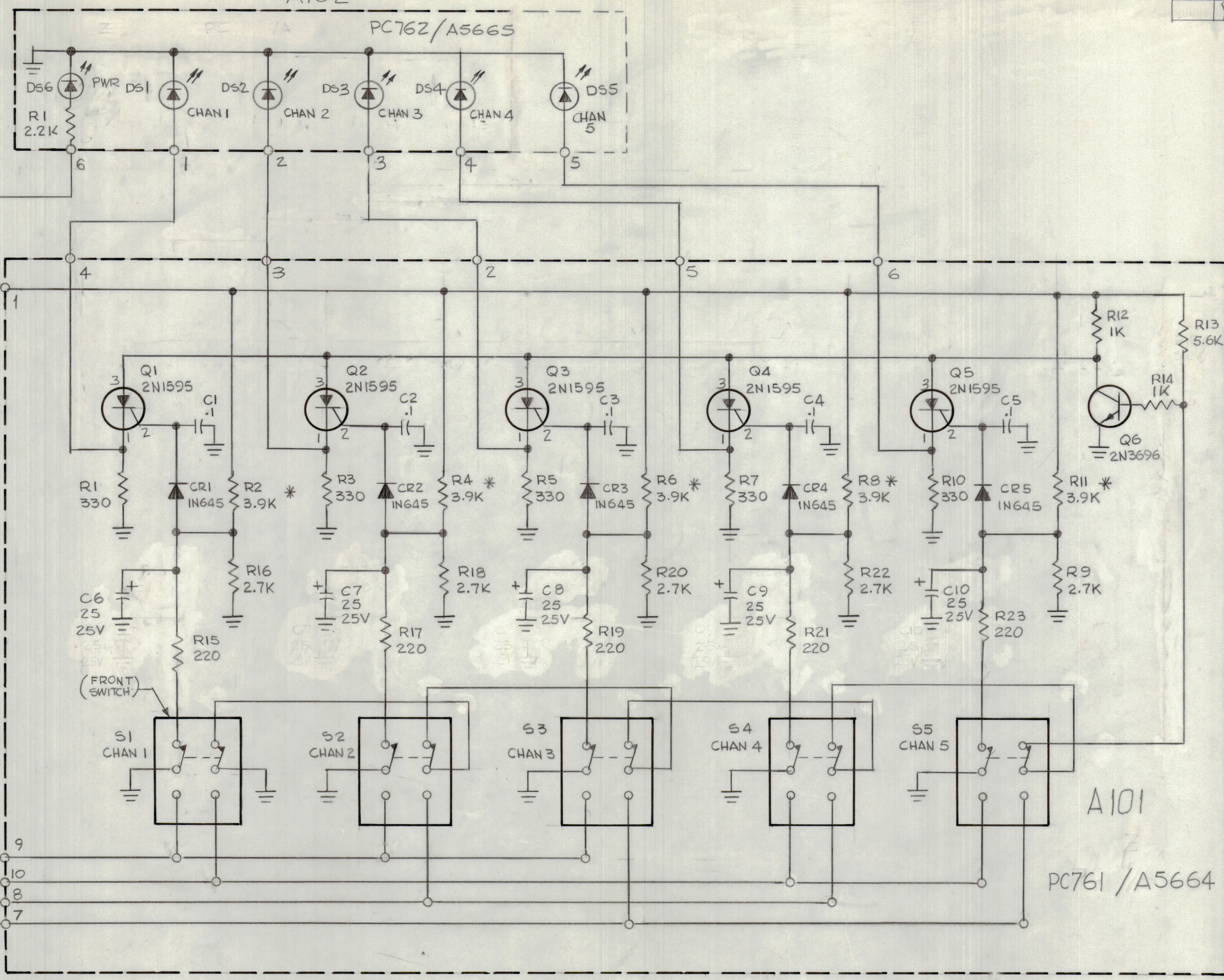
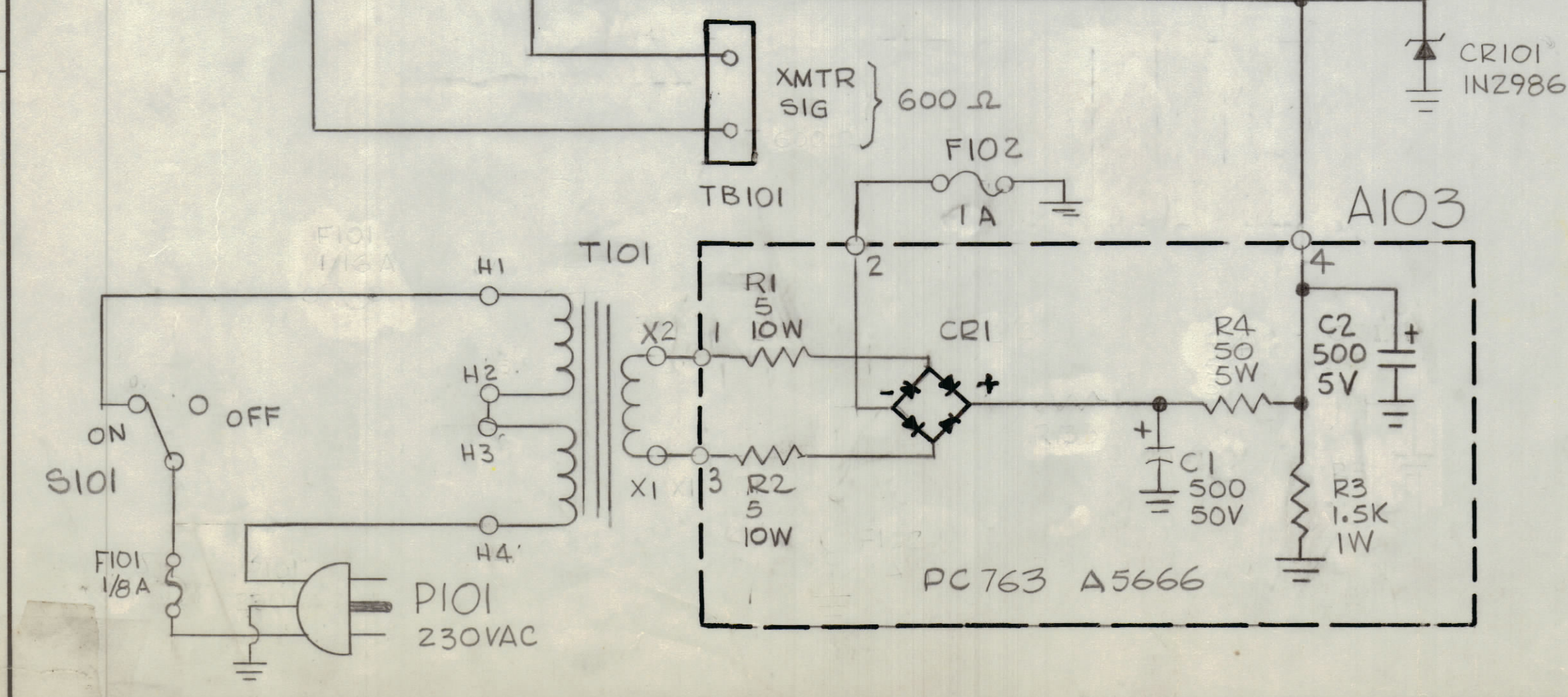


REVISIONS							
E.M.N.O.	DRAFT	CHKD	ZONE	LTR	DESCRIPTION	DATE	APPROVED
				X1	SYMBOLS CLARIFIED	3-30-77	
				X2	C6-C10 & R14 RELOCATED		



NOTE:
UNLESS OTHERWISE SPECIFIED
1- ALL RESISTANCE VALUES ARE IN OHMS 1/4W
2- ALL CAPACITANCE VALUES ARE IN MICROFARADS.
* USE 3.9K VALUE MAY VARY FROM (3.9K TO 6.8K)



A101
PC761/A5664

LAST SYMBOL	MISSING SYMBOL
C10	
CR5	
Q6	
R23	
S5	

A103
PC763/A5666

LAST SYMBOL	MISSING SYMBOL
C2	
CR1	
R4	

A102
PC762/A5665

LAST SYMBOL	MISSING SYMBOL
DS6	
R1	

QTY / UNIT	MODEL USED ON	RCMT-1 ASS'Y NO.
1	AX 5220	
APPLICATION		
CODE		
MATERIAL		
FINISH		

NOTICE TO PERSONS RECEIVING THIS DRAWING
THE TECHNICAL MATERIEL CORPORATION claims proprietary right in the material disclosed herein. This drawing is issued in confidence for engineering information only and may not be reproduced or used to manufacture anything shown herein without permission from THE TECHNICAL MATERIEL CORPORATION to the user. This drawing is loaned for mutual assistance and is subject to recall at any time.

QTY. REQ.	ITEM	PART NO.	DESCRIPTION	SYMBOL
LIST OF MATERIAL				
FINAL APPROVAL				
MECH. DES.				
ELECT. DES.				
CHECKED				
DRAWN GDL				
DATE 3-15-77				
THE TECHNICAL MATERIEL CORP. MAMARONECK, NEW YORK				
SCHEMATIC, DIAGRAM PROGRAMMER				
SIZE		CODE IDENT NO.		ISSUE
D		82679		CK 2138
SCALE		SHEET		OF