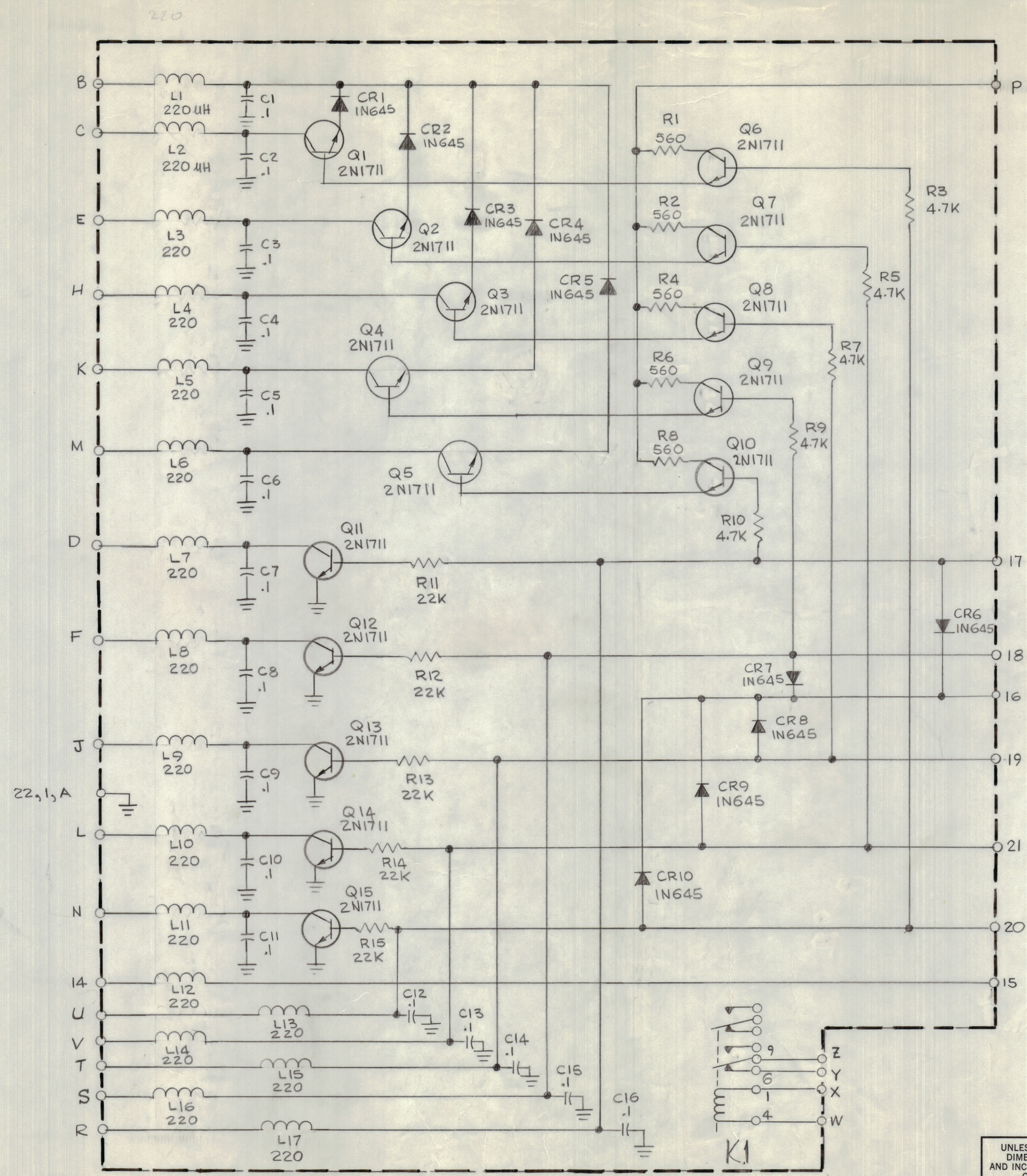


REVISIONS							
E.M.N.NO	DRAFT	CHKD	ZONE	LTR	DESCRIPTION	DATE	APPROVED
	SDL			X1	R1, R2, R4, R6, R8 WAS 220-Ω	6-27-77	



NOTES:
UNLESS OTHERWISE SPECIFIED
ALL RESISTA

1	MFR 10K	
QTY / UNIT	MODEL USED ON	ASS'Y NO.
APPLICATION		
CODE		
<small>NOTICE TO PERSONS RECEIVING THIS DRAWING</small> <small>THE TECHNICAL MATERIEL CORPORATION claims proprietary right in the material disclosed hereon. This drawing is issued in confidence for engineering information only and may not be reproduced or used to manufacture anything shown hereon without permission from THE TECHNICAL MATERIEL CORPORATION to the user. This drawing is loaned for mutual assistance and is subject to recall at any time.</small>		

UNLESS OTHERWISE SPECIFIED DIMENSIONS ARE IN INCHES AND INCLUDE CHEMICALLY APPLIED OR PLATED FINISHES	
DECIMALS	FRACTIONS
.X ± .05	± 1/64
.XX ± .01	ANGLES
.XXX ± .005	± 0° -30'

QTY. REQ.	ITEM	PART NO.	DESCRIPTION	SYMBOL
LIST OF MATERIAL				
THE TECHNICAL MATERIEL CORP. MAMARONECK, NEW YORK				
SCHEMATIC DIAGRAM EXCITER CONTROL				
MATERIAL			SIZE	CODE IDENT NO. DWG NO.
FINISH			D	82679 CK 2137
			SCALE	SHEET OF
FINAL APPROVAL _____ DATE _____ MECH. DES. _____ DATE _____ ELECT. DES. _____ DATE _____ CHECKED _____ DATE _____ DRAWN G.D.L. _____ DATE 3-17-77		ISSUE X1		