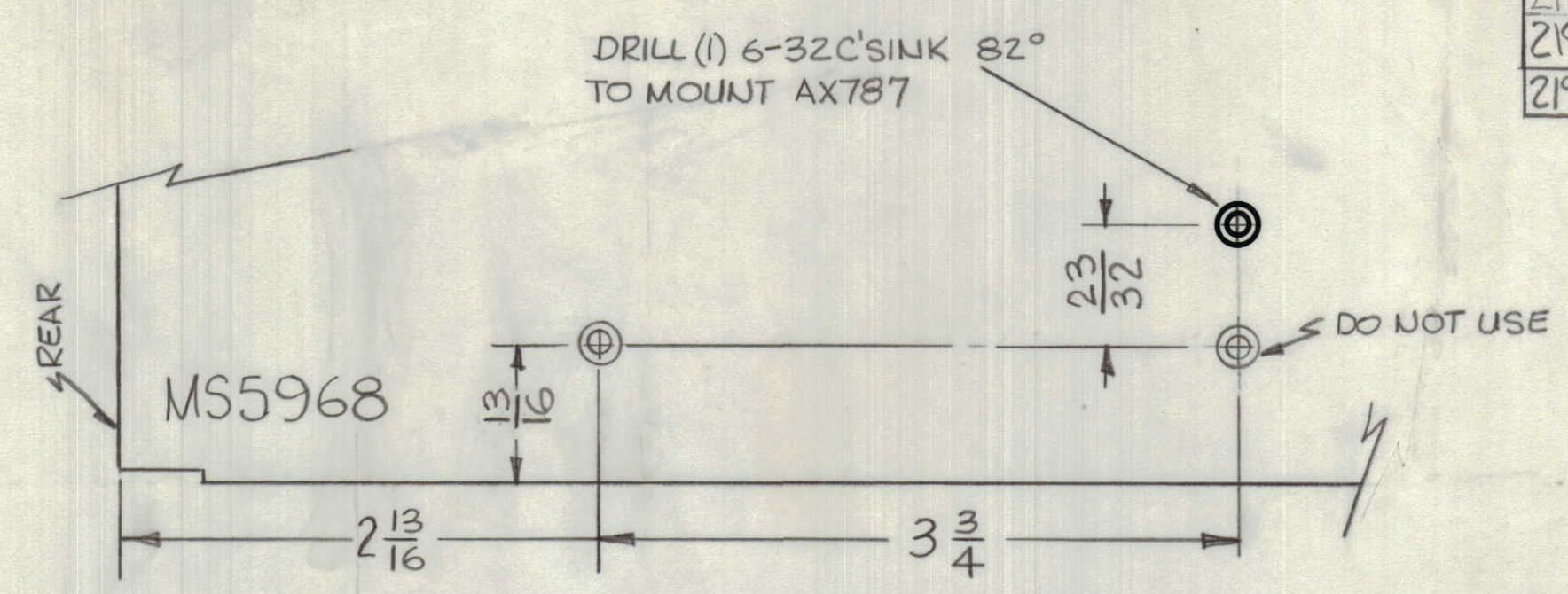
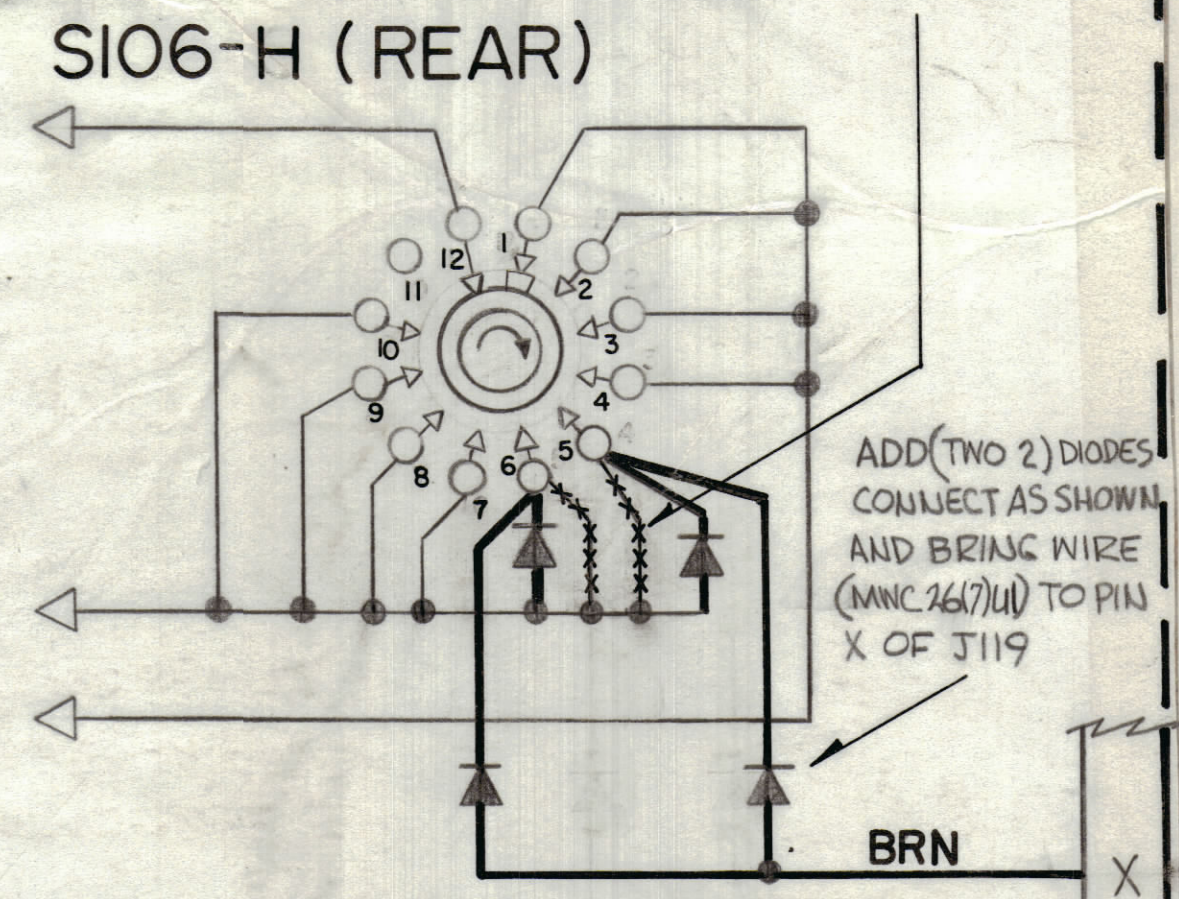


REVISIONS							
E.M.NNO	DRAFT	CHKD	ZONE	LTR	DESCRIPTION	DATE	APPROVED
21753	MC			A	ORIGINAL RELEASE FOR PRODUCTION	5/1/76	
21930	MC			B	SHIT OF 2, A4879-PC600 A1001 OVLD PIN K WAS H, PIN H WAS K	1-8-80	FB
21993	MC			C	SEE SHEET 2 OF 2	3-23-82	
				C	R5 and R6 were 15K (SHEET 2)	1-11-83	

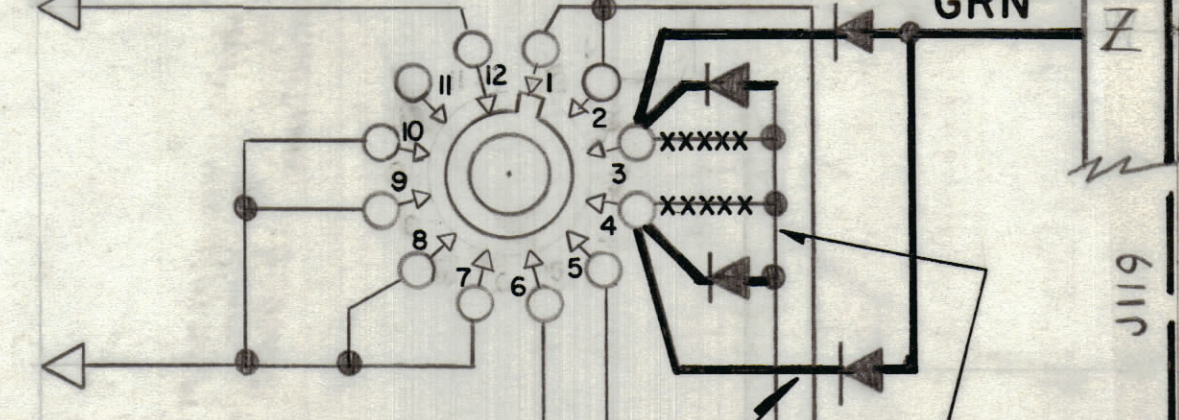


MMXA-2
(REFERENCE CK2067)

ON SWITCH MARKED SIO6 (WAFER H REAR) BREAK LINES TO LUGS 5 & 6 SHOWN XXXXX INSERT (2 TWO) DIODES IN 645 AS SHOWN



SIO6-G (REAR)



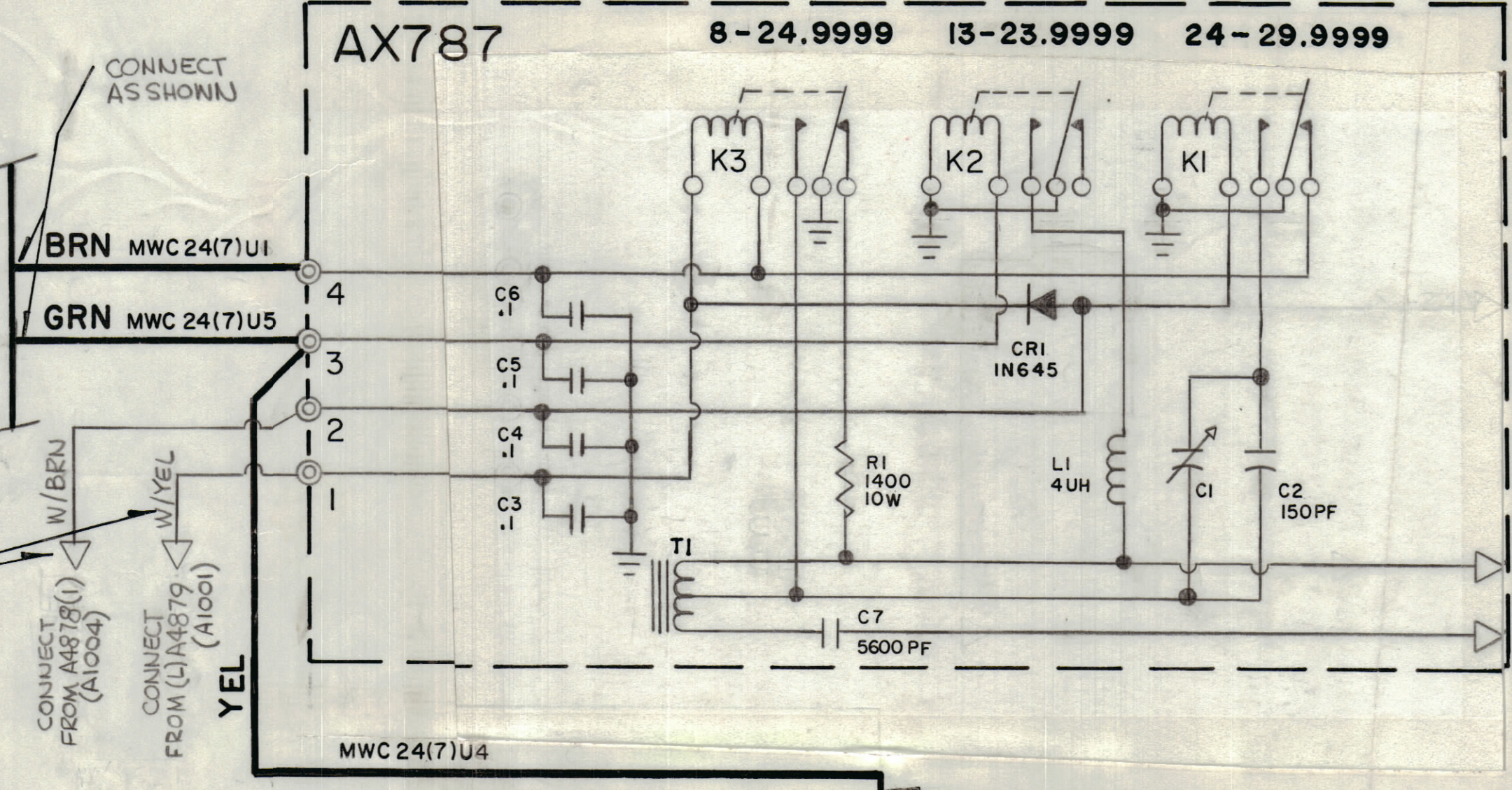
ADD (TWO) DIODES CONNECT AS SHOWN AND BRING WIRE (MWC 24(7)U5) TO PIN W OF J119

OPEN CONNECTOR P2106, P2003 AND SOLDER IN WIRES. (J119) (P2106) A LINE EXIST ON PIN (Z), THIS WIRE MUST BE REMOVED AND SOLDERED INTO PIN (P) OF (J119) (P2106) THIS LEAVES PIN (Z) OPEN TO FACILITATE THE INSTALLATION SHOWN ABOVE.

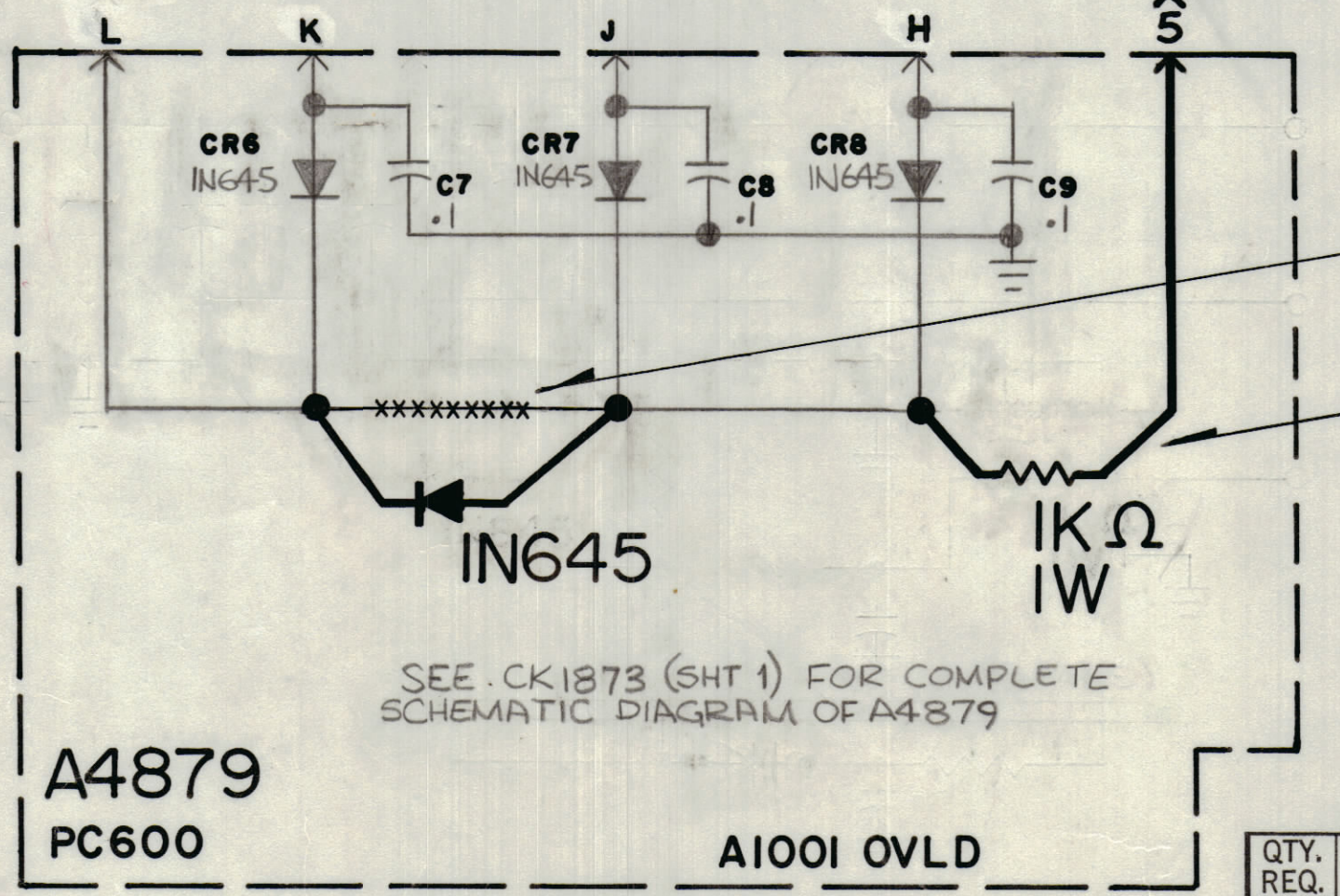
ATTACH CAV1802 TO CAV148 AND RUN (2) WIRE CABLE DIRECT FROM J119 TO J1003

TLAA-1K

REPLACE A4909 WITH AX787 AND CONNECT WIRES AS DETAILED BELOW, (1) ONE C'SINK HOLE MUST BE DRILLED ON THE SIDE PLATE TO FACILITATE AX787 SEE DETAIL ABOVE (REFERENCE DRAWING AX787)



TO C1218
TO A4807 (A1007) L1



ON A4879 (PC600) OVLD PRINTED CIRCUIT BD (A1001) OPEN LAND BETWEEN CR6 AND CR7 AND INSERT ONE DIODE (IN645) AS SHOWN.
ADD (1) RESISTOR (1K, 1W) AS SHOWN AND BRING OUT LAND TO CONNECTOR FINGER (5)

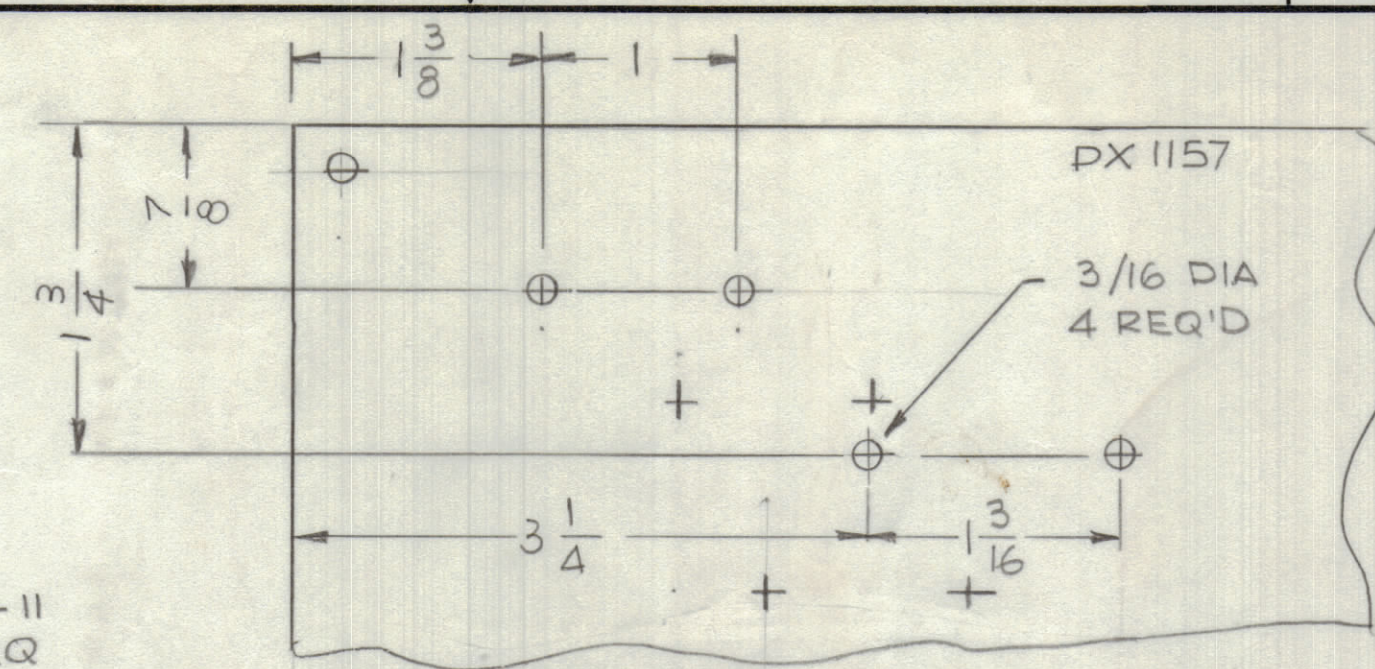
HETA-1KJ, KIT417		
QTY / UNIT	MODEL USED ON	ASS'Y NO.
APPLICATION		
CODE		
MATERIAL		
FINISH		

UNLESS OTHERWISE SPECIFIED DIMENSIONS ARE IN INCHES AND INCLUDE CHEMICALLY APPLIED OR PLATED FINISHES		FINAL APPROVAL	DATE
TOLERANCES ON		MECH. DES.	DATE
DECIMALS	FRACTIONS	ELECT. DES.	DATE
.X ± .05	1/64	CHECKED	DATE
.XX ± .01	ANGLES	DRAWN	DATE
.XXX ± .005	± 0° -30'		

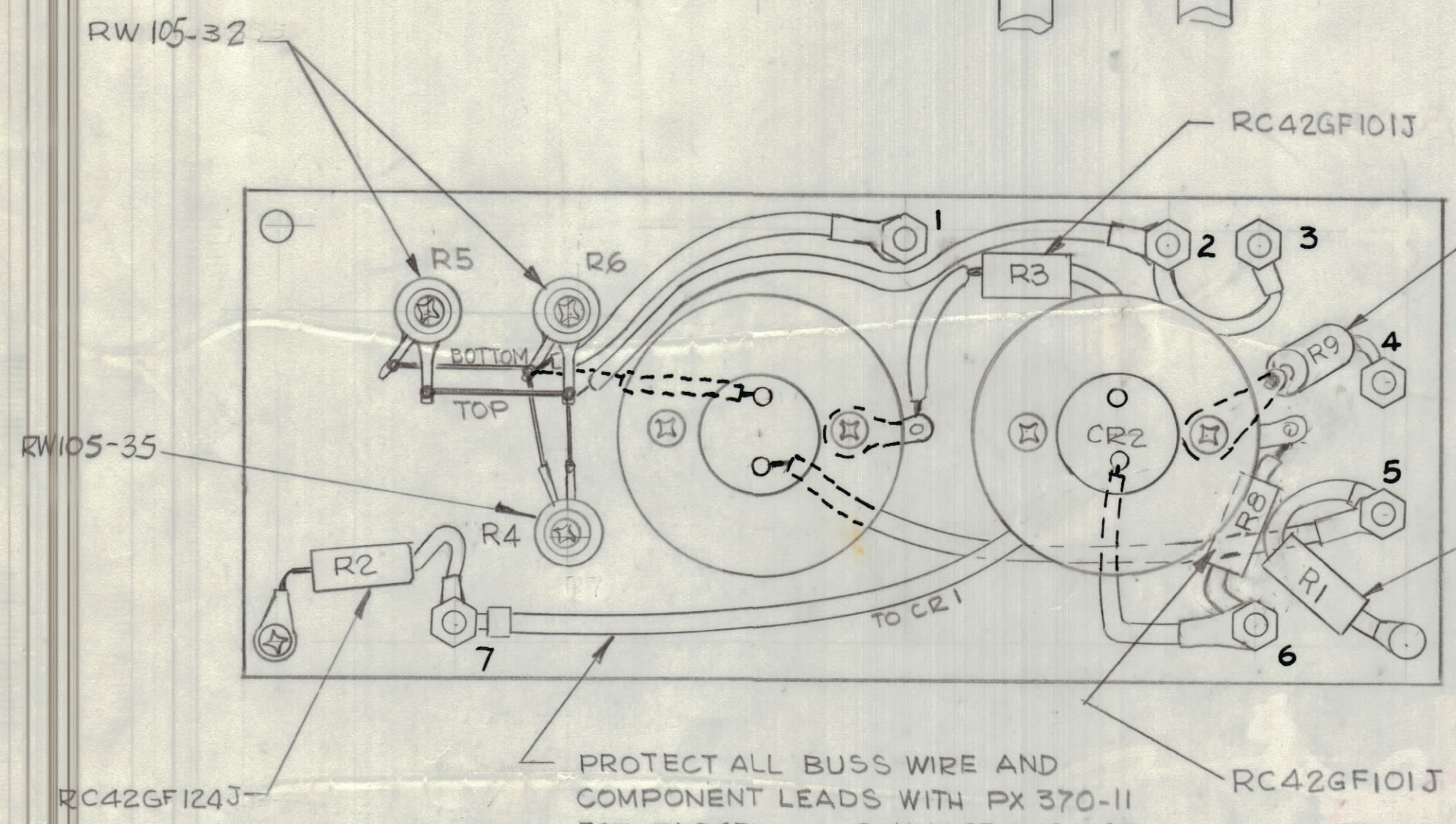
QTY. REQ.	ITEM	PART NO.	DESCRIPTION	SYMBOL
LIST OF MATERIAL				
THE TECHNICAL MATERIEL CORP. MAMARONECK, NEW YORK				
DIAGRAM, SCHEMATIC				
DISTORTION & POWER MODIFICATION KIT417				
SIZE	CODE IDENT NO.	DWG NO.	ISSUE	
D	82679	CK2126	C	
SCALE	SHEET			OF 2

NOTICE TO PERSONS RECEIVING THIS DRAWING
THE TECHNICAL MATERIEL CORPORATION claims proprietary right in the material disclosed herein. This drawing is issued in confidence for engineering information only and may not be reproduced or used to manufacture anything shown herein without permission from THE TECHNICAL MATERIEL CORPORATION to the user. This drawing is loaned for mutual assistance and is subject to recall at any time.

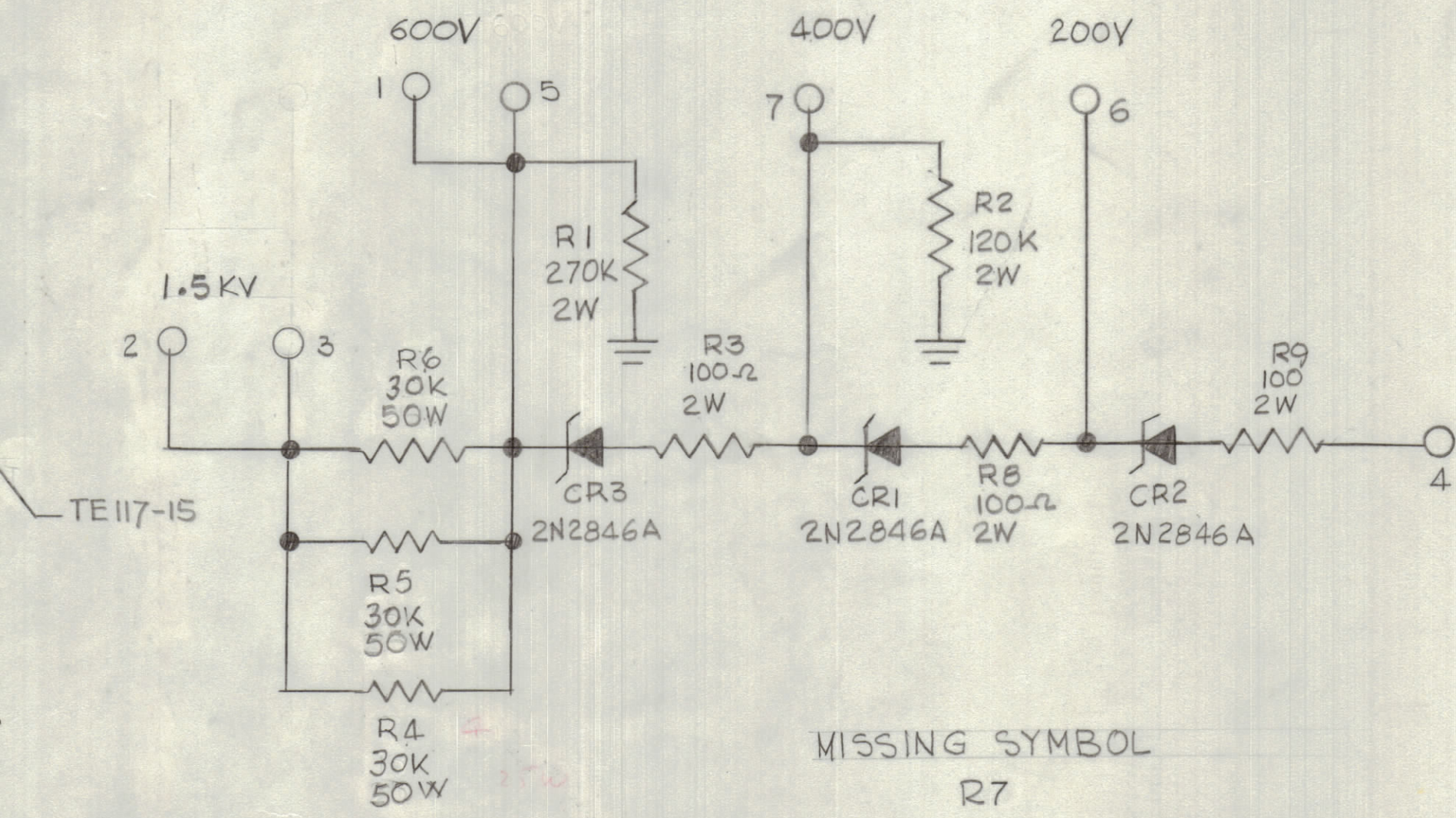
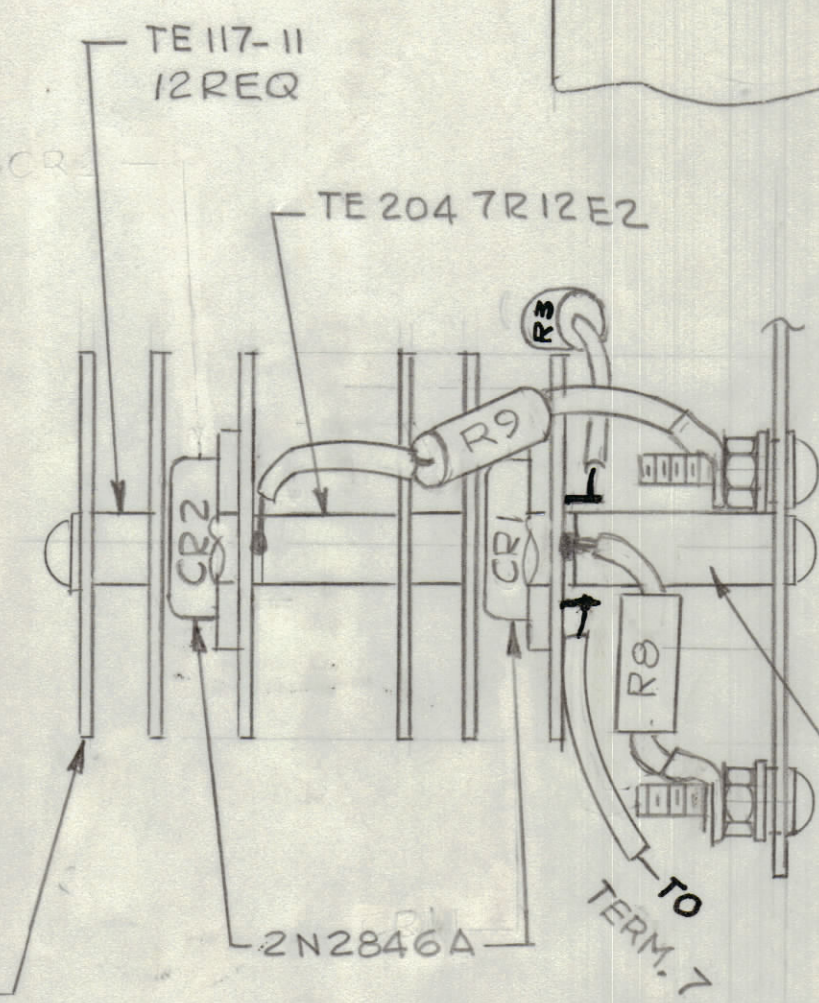
REVISIONS					DATE	APPROVED
E.M.N.O.	DRAFT	CHKD	ZONE	LTR	DESCRIPTION	
	CL				ORIGINAL RELEASE FOR PRODUCTION	3/11/76
21753	Mod			A	SEE SHEET 1	1-8-80
21930	Mod			B	R4 Was 15K, 600V and 1.5KV Added	3-23-82
21993	Mod			C	R5 and R6 were 15K	1-11-83



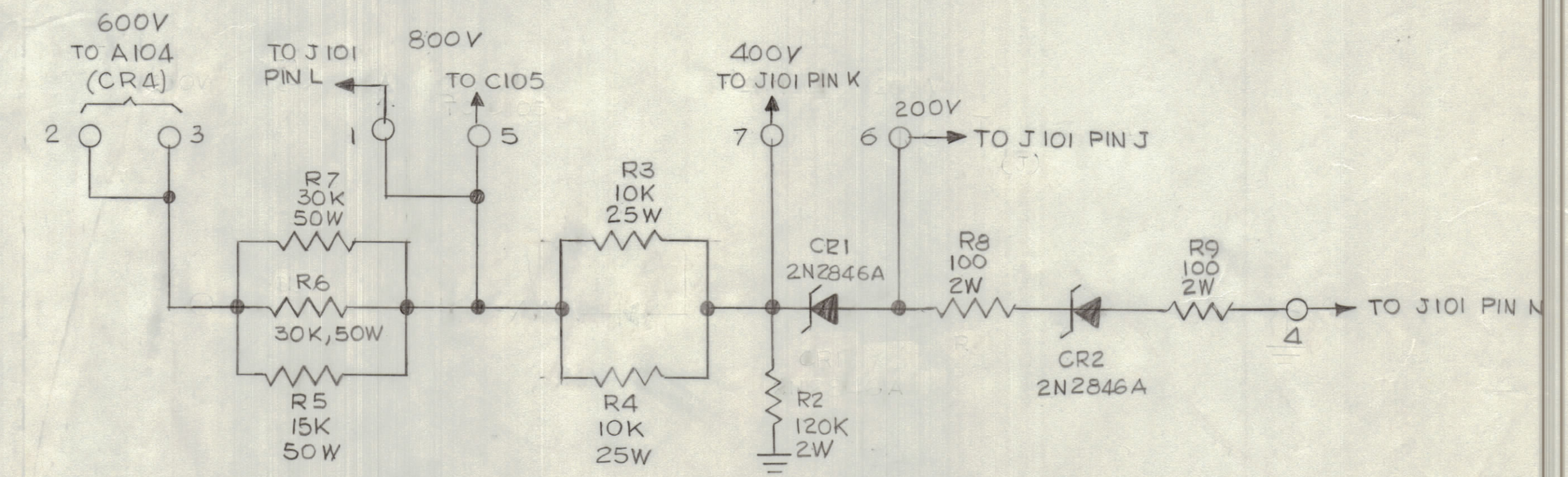
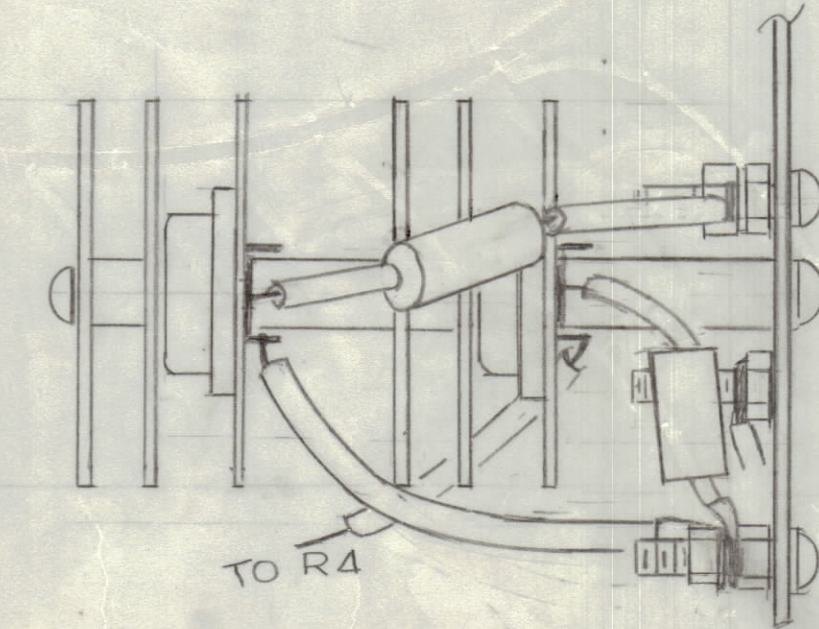
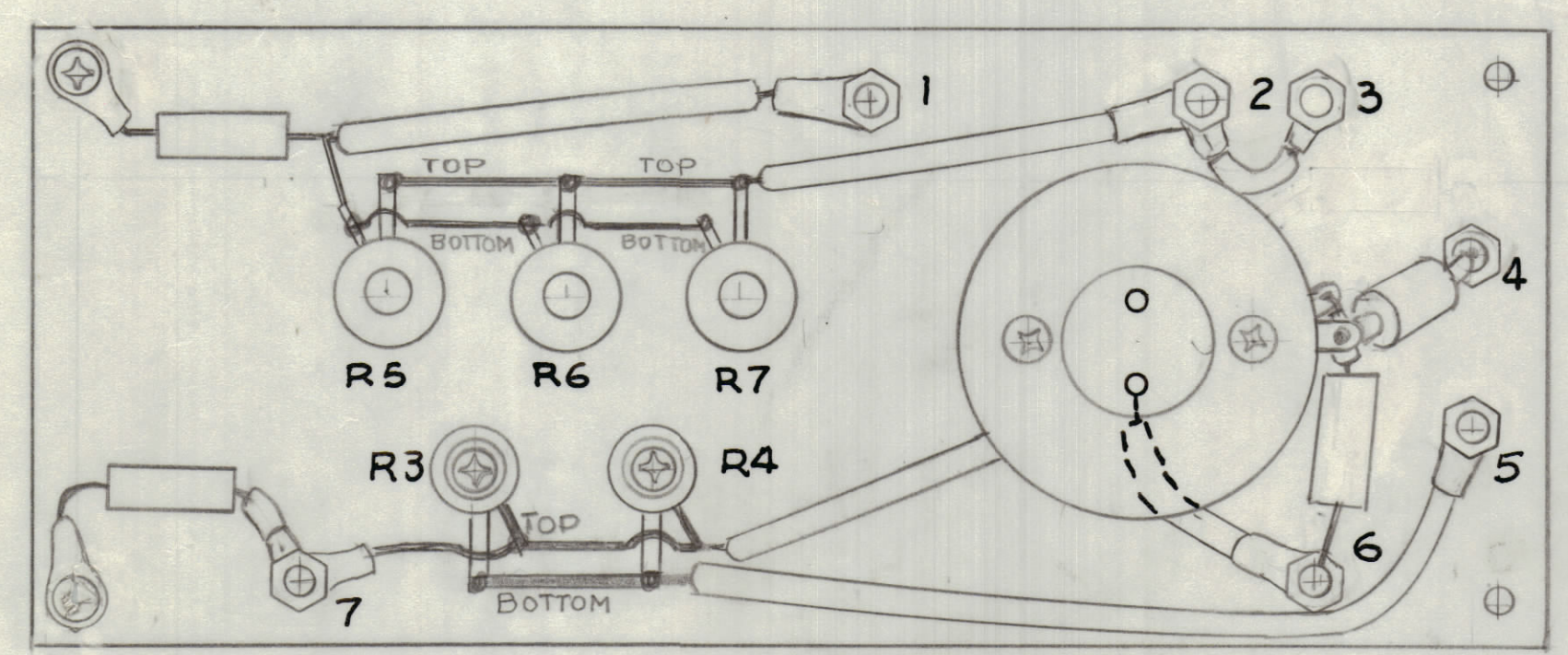
NOTE:
(4) FOUR 3/16 DIA HOLES MUST BE ADDED TO PX1157, TO MOUNT CR3 R6 AND R5.



PROTECT ALL BUSS WIRE AND COMPONENT LEADS WITH PX 370-11 FOR ELECTRICAL CONNECTIONS USE WL 100-6 AS REQ (SEE PICTORIAL) AND TERMINATE WITH TE 104-4 AS REQ.



MODIFIED ASSEMBLY



BEFORE MODIFICATION

1	KIT-417	
QTY / UNIT	MODEL USED ON	ASS'Y NO.
APPLICATION		
CODE		
NOTICE TO PERSONS RECEIVING THIS DRAWING		
THE TECHNICAL MATERIEL CORPORATION claims proprietary right in the material disclosed hereon. This drawing is issued in confidence for engineering information only and may not be reproduced or used to manufacture anything shown hereon without permission from THE TECHNICAL MATERIEL CORPORATION to the user. This drawing is loaned for mutual assistance and is subject to recall at any time.		

QTY. REQ.	ITEM	PART NO.	DESCRIPTION	SYMBOL
LIST OF MATERIAL				
UNLESS OTHERWISE SPECIFIED DIMENSIONS ARE IN INCHES AND INCLUDE CHEMICALLY APPLIED OR PLATED FINISHES				
TOLERANCES ON				
DECIMALS	FRACTIONS			
X ± .05	± 1/64			
.XX ± .01	ANGLES			
.XXX ± .005	± 0° -30'			
MATERIAL				
FINISH				
THE TECHNICAL MATERIEL CORP. MAMARONECK, NEW YORK				
DIAGRAM, SCHEMATIC DISTORTION & POWER MODIFICATION KIT 417				
SIZE	CODE	IDENT NO.	DWG NO.	ISSUE
D	82679	CK 2126		C
SCALE				
				SHEET 2 OF 2