

5

4

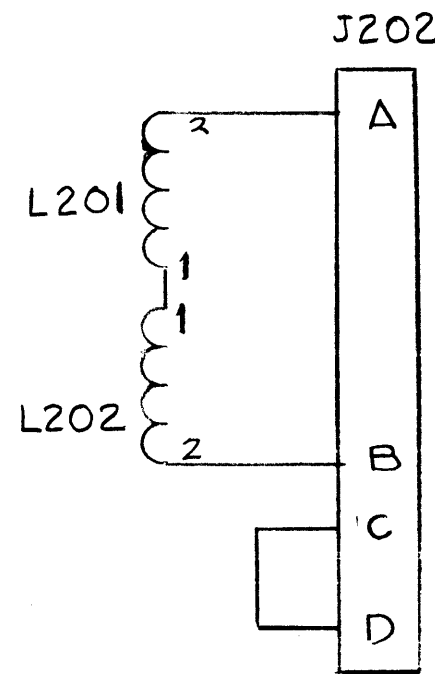
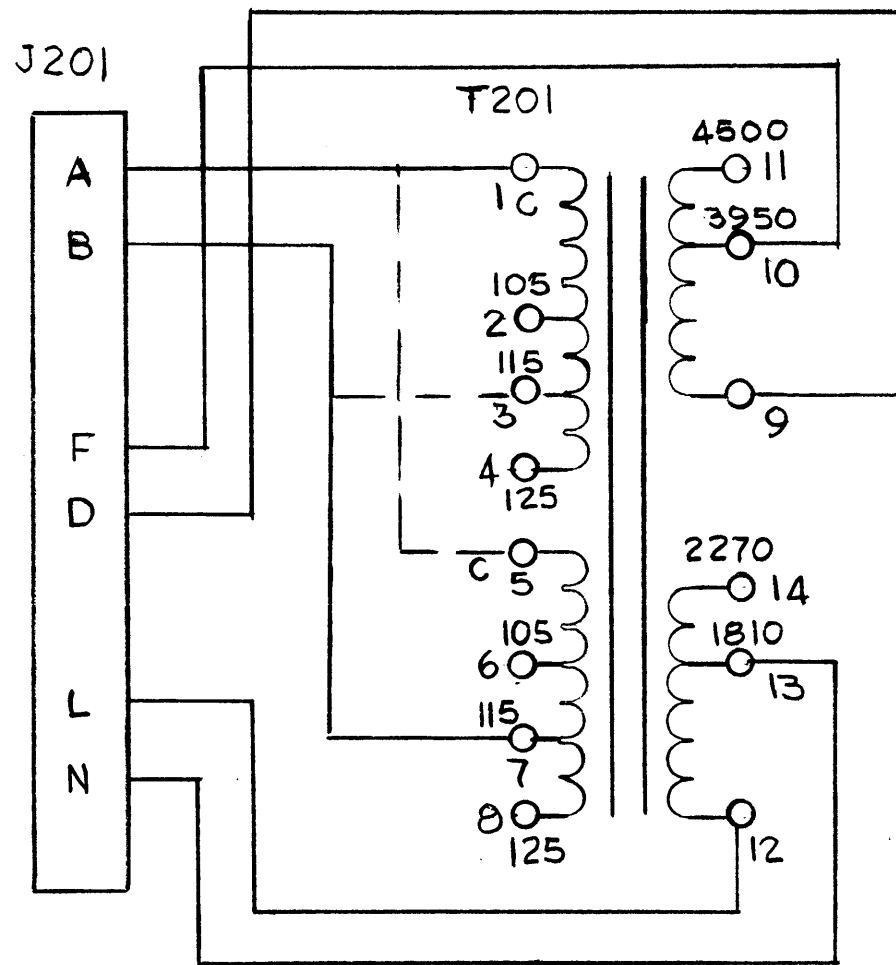
3

2

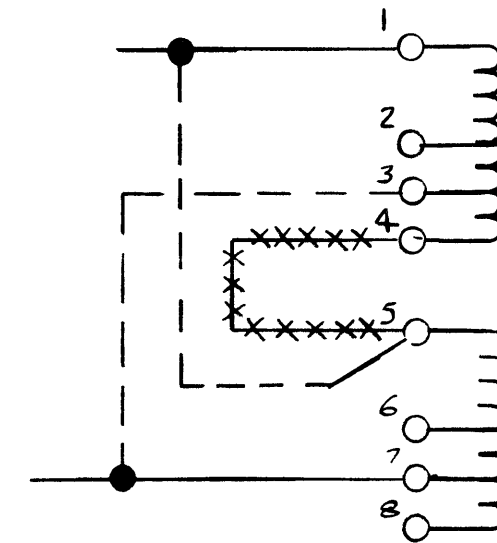
1

| REVISIONS | | | | | | | |
|------------|-------|------|------|-----|------------------|---------|----------|
| E.M.N. NO. | DRAFT | CHKD | ZONE | LTR | DESCRIPTION | DATE | APPROVED |
| | GDL | | | Ø | ORIGINAL RELEASE | 1-10-77 | * |

SHOWN CONNECTED FOR 115 VAC



FOR 115V OPERATION USE -----
 FOR 230V OPERATION USE ~~*****~~



| | | |
|-------------|---------------|-----------|
| 1 | SYM5204 | AX5206 |
| QTY / UNIT | MODEL USED ON | ASS'Y NO. |
| APPLICATION | | |
| CODE | | |

NOTICE TO PERSONS RECEIVING THIS DRAWING
 THE TECHNICAL MATERIEL CORPORATION claims proprietary right in the material disclosed hereon. This drawing is issued in confidence for engineering information only and may not be reproduced or used to manufacture anything shown hereon without permission from THE TECHNICAL MATERIEL CORPORATION to the user. This drawing is loaned for mutual assistance and is subject to recall at any time.

UNLESS OTHERWISE SPECIFIED DIMENSIONS ARE IN INCHES AND INCLUDE CHEMICALLY APPLIED OR PLATED FINISHES

DECIMALS: .X ± .05, .XX ± .01, .XXX ± .005
 FRACTIONS: 1/64
 TOLS. ANGLES: 0° - 30'

MATERIAL

FINISH

| REQ'D | ITEM | PART NUMBER | DESCRIPTION | SYM. |
|--|-----------------|-------------|-------------|------|
| LIST OF MATERIAL | | | | |
| FINAL APPROVAL: [Signature] DATE: 1-10-77 | | | | |
| MECH. DES. DATE | | | | |
| ELECT. DES. DATE | | | | |
| CHECKED DATE | | | | |
| DRAWN: G.D.L. DATE: 8-19-75 | | | | |
| THE TECHNICAL MATERIEL CORP. MAMARONECK, NEW YORK | | | | |
| DIAGRAM, SCHEMATIC, HV AX5206 | | | | |
| SIZE | CODE IDENT. NO. | DWG NO. | ISSUE | |
| B | 82679 | CK2115 | Ø | |
| SCALE | SHEET | | OF | |

5

4

3

2

1