

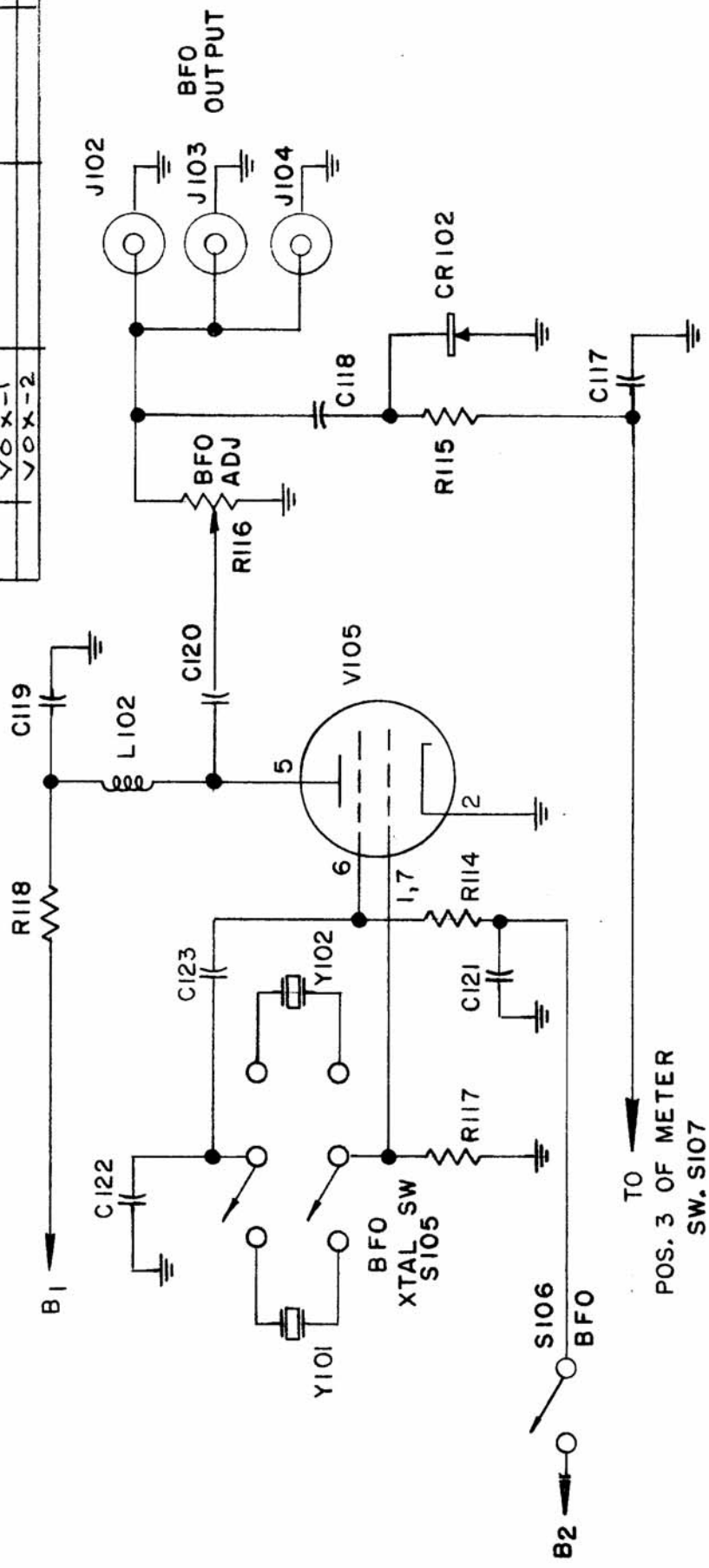
IF IT IS FOUND DESIRABLE TO CHANGE ANY TOLERANCE OR OTHER DETAIL SPECIFIED ON THIS DRAWING NOTIFY THE PURCHASER PROMPTLY.

MAXIMUM ALLOWABLE TOLERANCES HAVE BEEN DETERMINED AND DEVIATIONS WILL BE CAUSE FOR REJECTION. REMOVE ALL BURRS AND SHARP EDGES

CK-296

USED ON  
 REQ. PER UNIT  
 PROJECT NO.  
 MODEL  
 ASS'Y. NO.  
 DATE

VOX-1  
 VOX-2  
 4-22-55  
 4-22-55



TO  
 POS. 3 OF METER  
 SW. S107

REQ. ITEM	PART NO.	DESCRIPTION	SYMBOL
		THE TECHNICAL MATERIEL CORP.	
		MAMARONECK. NEW YORK	
		BFO CIRCUIT	
		STOCK SIZE	
		MATERIAL	
		WEIGHT PER PC.	
		TYPE & TEMPER.	
		HEAT TREAT. SPEC.	
		FINISH & SPEC. NO.	
ISSUE ITEM	CHANGED FROM	DATE	CN. NO.
TOLERANCES			
DEC. DIM. ±			
FRAC. DIM. ±			
ANGULAR DIM. ±			
SCALE		CHECKER	ENG. APP.
DRILL, PUNCH, COMMERCIAL STOCK SIZES AND MANUFACTURERS TOLERANCES ARE NOT INCLUDED.			
DRAWN		ELEC. DES. APP.	MECH. DES. APP.
A. J. J.			
CHECKED		FINAL APPROVAL	
		CK-296	