

IF IT IS FOUND DESIRABLE TO CHANGE ANY TOLERANCE OR OTHER DETAIL SPECIFIED ON THIS DRAWING NOTIFY THE PURCHASER PROMPTLY.

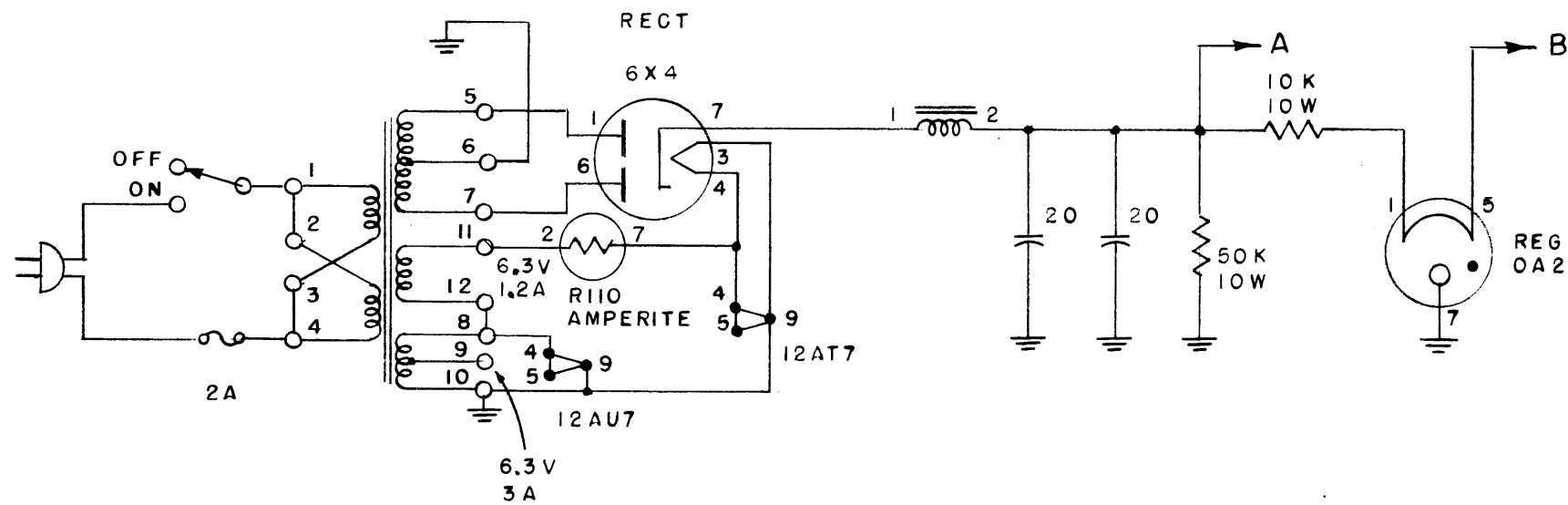
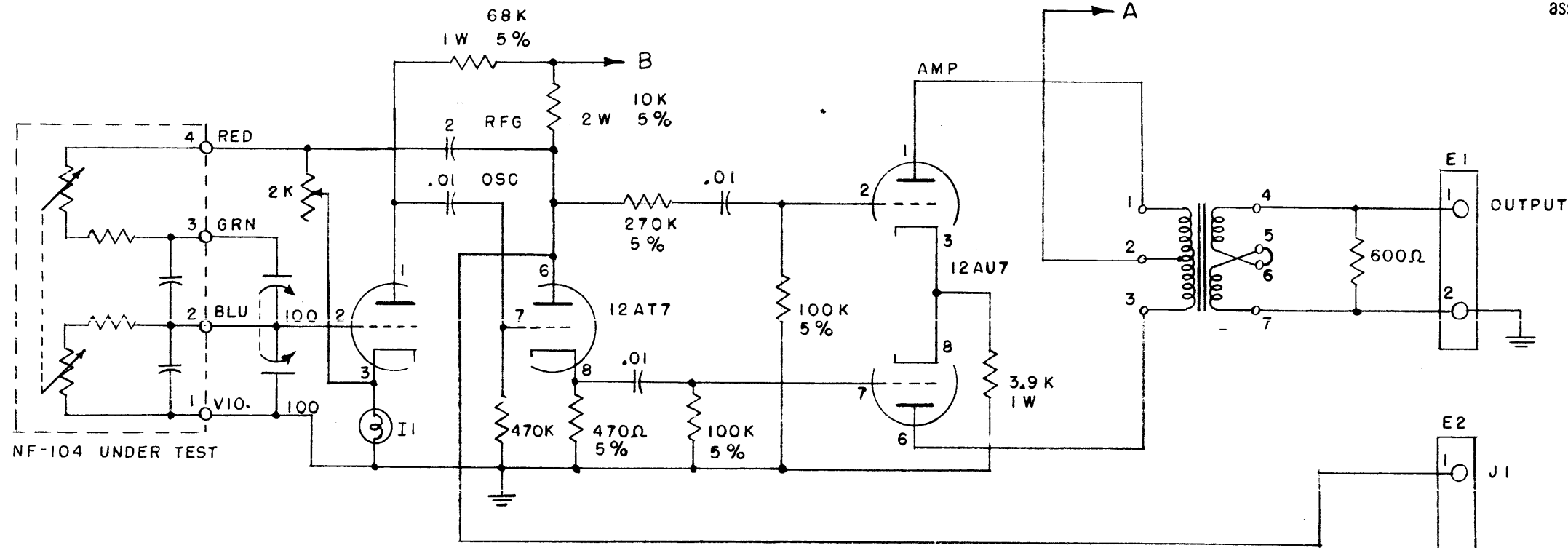
MAXIMUM ALLOWABLE TOLERANCES HAVE BEEN DETERMINED AND DEVIATIONS WILL BE CAUSE FOR REJECTION. REMOVE ALL BURRS AND SHARP EDGES

CK-280

NOTICE TO PERSONS RECEIVING THIS DRAWING

THE TECHNICAL MATERIEL CORPORATION claims proprietary right in the material disclosed hereon. This drawing is issued in confidence for engineering information only and may not be reproduced or used to manufacture anything shown herein without permission from THE TECHNICAL MATERIEL CORPORATION to the user. This drawing is loaned for mutual assistance and is subject to recall at any time.

Property of:
THE TECHNICAL MATERIEL CORPORATION
 MAMARONECK, NEW YORK



ALL CAPACITORS ARE IN μf
 ALL RESISTORS ARE 1/2 W $\pm 10\%$
 UNLESS OTHERWISE NOTED

ISSUE	ITEM	CHANGED FROM	DATE	CN. NO.	DRAFTS	CHECKER	ENG. APP.
-------	------	--------------	------	---------	--------	---------	-----------

TOLERANCES SCALE:

ALL OTHERS DEC. DIM. \pm
 FRAC. DIM. \pm
 ANGULAR DIM. \pm

DRILL, PUNCH, COMMERCIAL STOCK SIZES AND MANUFACTURERS TOLERANCES ARE NOT INCLUDED.

REQ. PER UNIT	MODEL	PROJECT NO.	ASS'Y. NO.	DATE
---------------	-------	-------------	------------	------

USED ON

REQ.	ITEM	PART NO.	DESCRIPTION	SYMBOL						
			THE TECHNICAL MATERIEL CORP. MAMARONECK, NEW YORK							
STOCK SIZE			TEST SET 104							
MATERIAL			TEST OSC. RSC-2							
TYPE & TEMPER			C.D.D. 11-22-54	VZ						
HEAT TREAT. SPEC.			<table border="1"> <tr> <td>DRAWN</td> <td>ELEC. DES. APP.</td> <td>MECH. DES. APP.</td> </tr> <tr> <td><i>[Signature]</i></td> <td>A. J. J.</td> <td><i>[Signature]</i></td> </tr> </table>	DRAWN	ELEC. DES. APP.	MECH. DES. APP.	<i>[Signature]</i>	A. J. J.	<i>[Signature]</i>	
DRAWN	ELEC. DES. APP.	MECH. DES. APP.								
<i>[Signature]</i>	A. J. J.	<i>[Signature]</i>								
FINISH & SPEC. NO.			<table border="1"> <tr> <td>CHECKED</td> <td>FINAL APPROVAL</td> </tr> <tr> <td></td> <td>CK-280</td> </tr> </table>		CHECKED	FINAL APPROVAL		CK-280		
CHECKED	FINAL APPROVAL									
	CK-280									