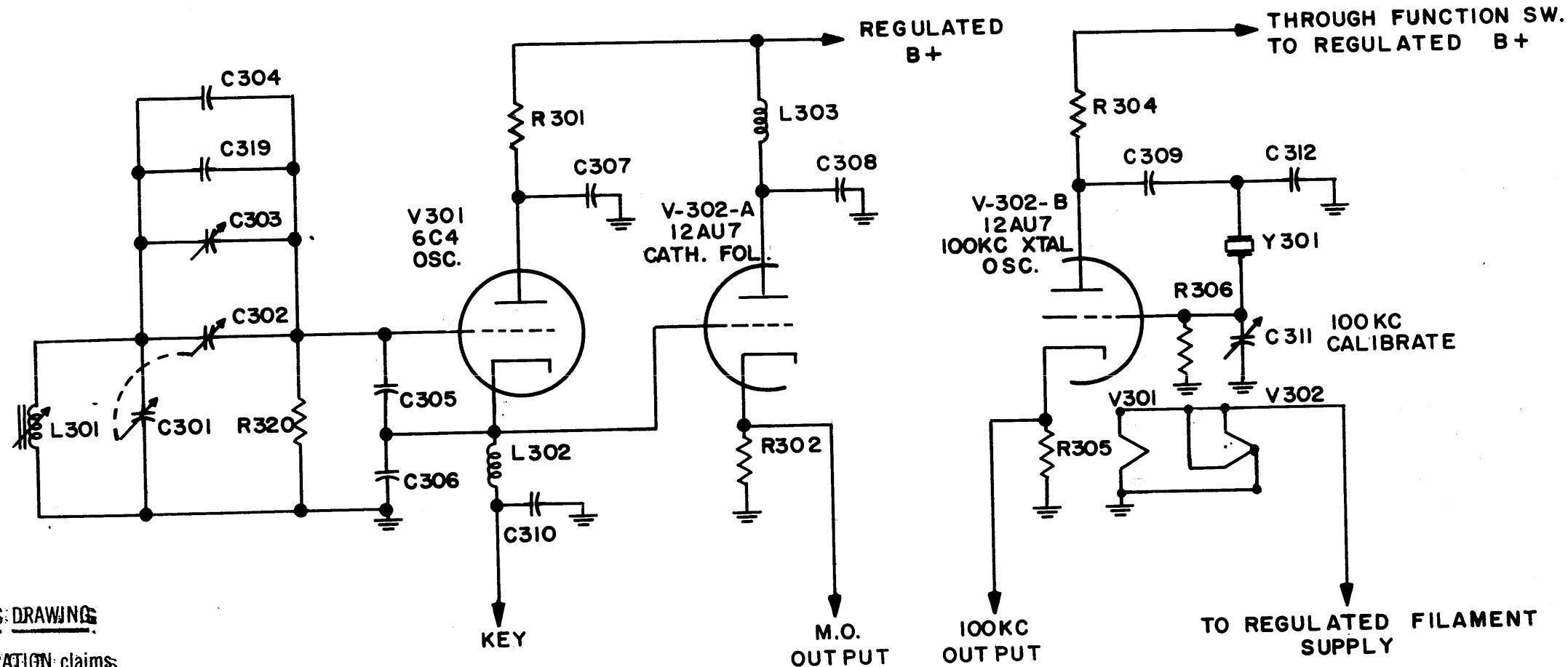


IF IT IS FOUND DESIRABLE TO CHANGE ANY TOLERANCE OR OTHER DETAIL SPECIFIED ON THIS DRAWING NOTIFY THE PURCHASER PROMPTLY.

MAXIMUM ALLOWABLE TOLERANCES HAVE BEEN DETERMINED AND DEVIATIONS WILL BE CAUSE FOR REJECTION. REMOVE ALL BURRS AND SHARP EDGES

CK-269



NOTICE TO PERSONS RECEIVING THIS DRAWING

THE TECHNICAL MATERIEL CORPORATION claims proprietary right in the material disclosed hereon. This drawing is issued in confidence for engineering information only and may not be reproduced or used to manufacture anything shown hereon without permission from THE TECHNICAL MATERIEL CORPORATION to the user. This drawing is loaned for mutual assistance and is subject to recall at any time.

Property of:  
THE TECHNICAL MATERIEL CORPORATION  
MAMARONECK, NEW YORK

FIG. 2  
THE OVEN ENCLOSED  
ELEMENTS

REQ.	ITEM	PART NO.	DESCRIPTION	SYMBOL
			THE TECHNICAL MATERIEL CORP. MAMARONECK, NEW YORK	
			THE OVEN ENCLOSED ELEMENTS MODEL PMO	
STOCK SIZE				
MATERIAL		WEIGHT PER PC.		
TYPE & TEMPER				
HEAT TREAT. SPEC.				
FINISH & SPEC. NO.				
		DRAWN <i>FAID 10-13-54</i>		ELEC. DES. APP. <i>WCC</i>
		CHECKED <i>10-13-54</i>		MECH. DES. APP.
		A. J. J.		FINAL APPROVAL
		CK-269		

ISSUE	ITEM	CHANGED FROM	DATE	CN. NO.	DRAFTS	CHECKER	ENG. APP.
TOLERANCES							
SCALE:							
DRILL, PUNCH, COMMERCIAL STOCK SIZES AND MANUFACTURERS TOLERANCES ARE NOT INCLUDED.							

MODEL	PMO	PROJECT NO.	285	ASS'Y. NO.		DATE	10/13/54
USED ON							