

IF IT IS FOUND DESIRABLE TO CHANGE ANY TOLERANCE OR OTHER DETAIL SPECIFIED ON THIS DRAWING NOTIFY THE PURCHASER PROMPTLY.

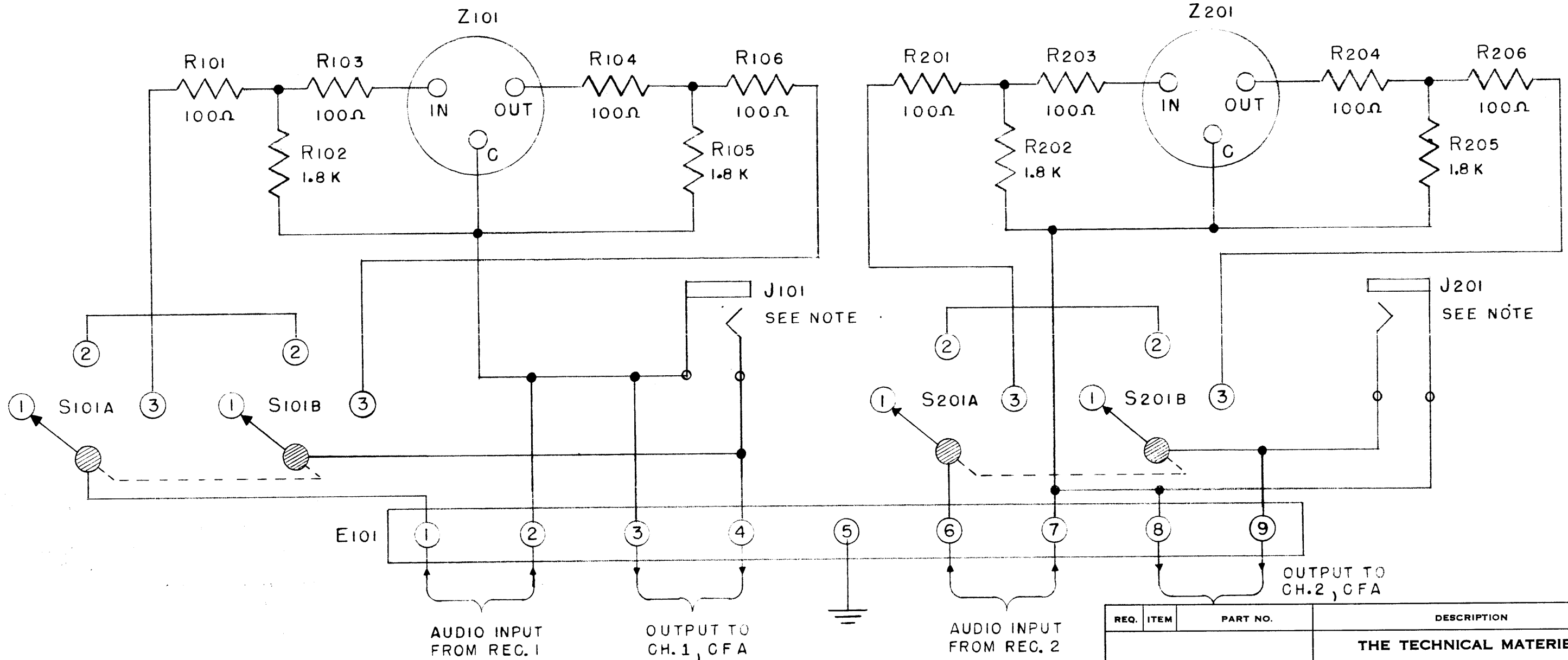
MAXIMUM ALLOWABLE TOLERANCES HAVE BEEN DETERMINED AND DEVIATIONS WILL BE CAUSE FOR REJECTION. REMOVE ALL BURRS AND SHARP EDGES

SWITCH POSITIONS

- 1 PANEL OUT
- 2 FILTER OUT
- 3 FILTER IN

CK-268

NOTE -
USE ONLY HIGH IMPEDANCE PHONES



REQ.	ITEM	PART NO.	DESCRIPTION	SYMBOL
			THE TECHNICAL MATERIEL CORP.	
			MAMARONECK, NEW YORK	
			SCHEMATIC DIAGRAM	
			BFP-2	
			CDD	A.J.J. <i>WDC</i>
			DRAWN	ELEC. DES. APP. MECH. DES. APP.
			<i>JAW</i>	<i>M.H.S.</i>
			CHECKED	FINAL APPROVAL
			CK-268	

ISSUE	ITEM	CHANGED FROM	DATE	CN. NO.	DRAFTS	CHECKER	ENG. APP.
TOLERANCES							
ALL OTHERS		DEC. DIM. ±	SCALE:		DRILL, PUNCH, COMMERCIAL STOCK		
		FRAC. DIM. ±			SIZES AND MANUFACTURERS		
		ANGULAR DIM. ±			TOLERANCES ARE NOT INCLUDED.		

BFP-2	308		10-14-54
MODEL	PROJECT NO.	ASS'Y. NO.	DATE
USED ON			