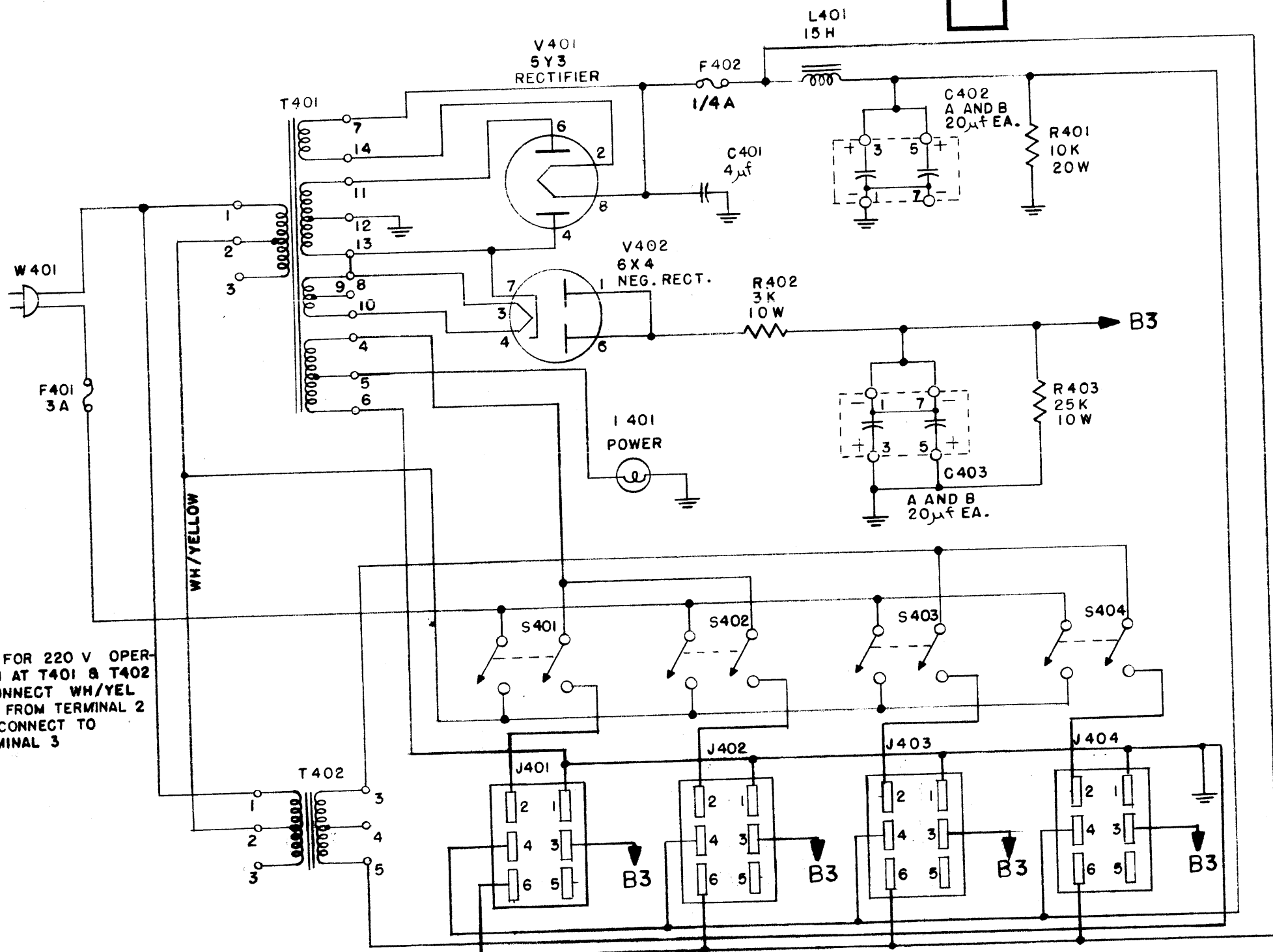


IF IT IS FOUND DESIRABLE TO CHANGE ANY TOLERANCE OR OTHER DETAIL SPECIFIED ON THIS DRAWING NOTIFY THE PURCHASER PROMPTLY.

MAXIMUM ALLOWABLE TOLERANCES HAVE BEEN DETERMINED AND DEVIATIONS WILL BE CAUSE FOR REJECTION. REMOVE ALL BURRS AND SHARP EDGES

CK-262 C



NOTE- FOR 220 V OPERATION AT T401 & T402 DISCONNECT WH/YEL LEAD FROM TERMINAL 2 AND CONNECT TO TERMINAL 3

**NOTICE TO PERSONS RECEIVING THIS DRAWING**

THE TECHNICAL MATERIEL CORPORATION claims proprietary right in the material disclosed hereon. This drawing is issued in confidence for engineering information only and may not be reproduced or used to manufacture anything shown hereon without permission from THE TECHNICAL MATERIEL CORPORATION to the user. This drawing is loaned for mutual assistance and is subject to recall at any time.

Property of:

THE TECHNICAL MATERIEL CORPORATION  
MAMARONECK, NEW YORK

|                    |      |  |  |         |        |      |                 |
|--------------------|------|--|--|---------|--------|------|-----------------|
| C                  | 1    | 220v. Connection chgd.<br>T402 Winding chgd. | 2/25/57  | 3       | 6      | MP   |                 |
| ISSUE              | ITEM | REVISION                                     | DATE   | CN. NO. | DRAFTS | CHK. | APP.            |
|                    |      |  | THE TECHNICAL MATERIEL CORP.<br>MAMARONECK. NEW YORK |         |        |      |                 |
| STOCK SIZE         |      |  | SCHEMATIC DIAGRAM                                    |         |        |      |                 |
| MATERIAL           |      |  | TSR  |         |        |      |                 |
| TYPE & TEMPER      |      |  | CDD  |         | DRAWN  |      | MECH. DES. APP. |
| HEAT TREAT. SPEC.  |      |  | CHECKED  |         | A.J.J. |      | FINAL APPROVAL  |
| FINISH & SPEC. NO. |      |  |  |         | CK-262 |      | C               |

|            |      |   |         |         |        |         |           |
|------------|------|---|---------|---------|--------|---------|-----------|
| B          | 1    | Wiring changed.   | 2/6/57  | 2       | TSR    | MP      | A.J.J.    |
| A          | 1    | Series #3 clarified   | 1/12/57 | 1       | JTG    |         |           |
| ISSUE      | ITEM | CHANGED FROM  | DATE    | CN. NO. | DRAFTS | CHECKER | ENG. APP. |
| TOLERANCES |      | SCALE:  |         |         |        |         |           |
| ALL OTHERS |      | DRILL, PUNCH, COMMERCIAL STOCK SIZES AND MANUFACTURERS TOLERANCES ARE NOT INCLUDED. |         |         |        |         |           |

|         |             |            |         |
|---------|-------------|------------|---------|
| TSR     | PROJECT NO. | ASS'Y. NO. | DATE    |
|         |             |            | 9-15-54 |
| USED ON |             |            |         |