

IF IT IS FOUND DESIRABLE TO CHANGE ANY TOLERANCE OR OTHER DETAIL SPECIFIED ON THIS DRAWING NOTIFY THE PURCHASER PROMPTLY.

MAXIMUM ALLOWABLE TOLERANCES HAVE BEEN DETERMINED AND DEVIATIONS WILL BE CAUSE FOR REJECTION. REMOVE ALL BURRS AND SHARP EDGES

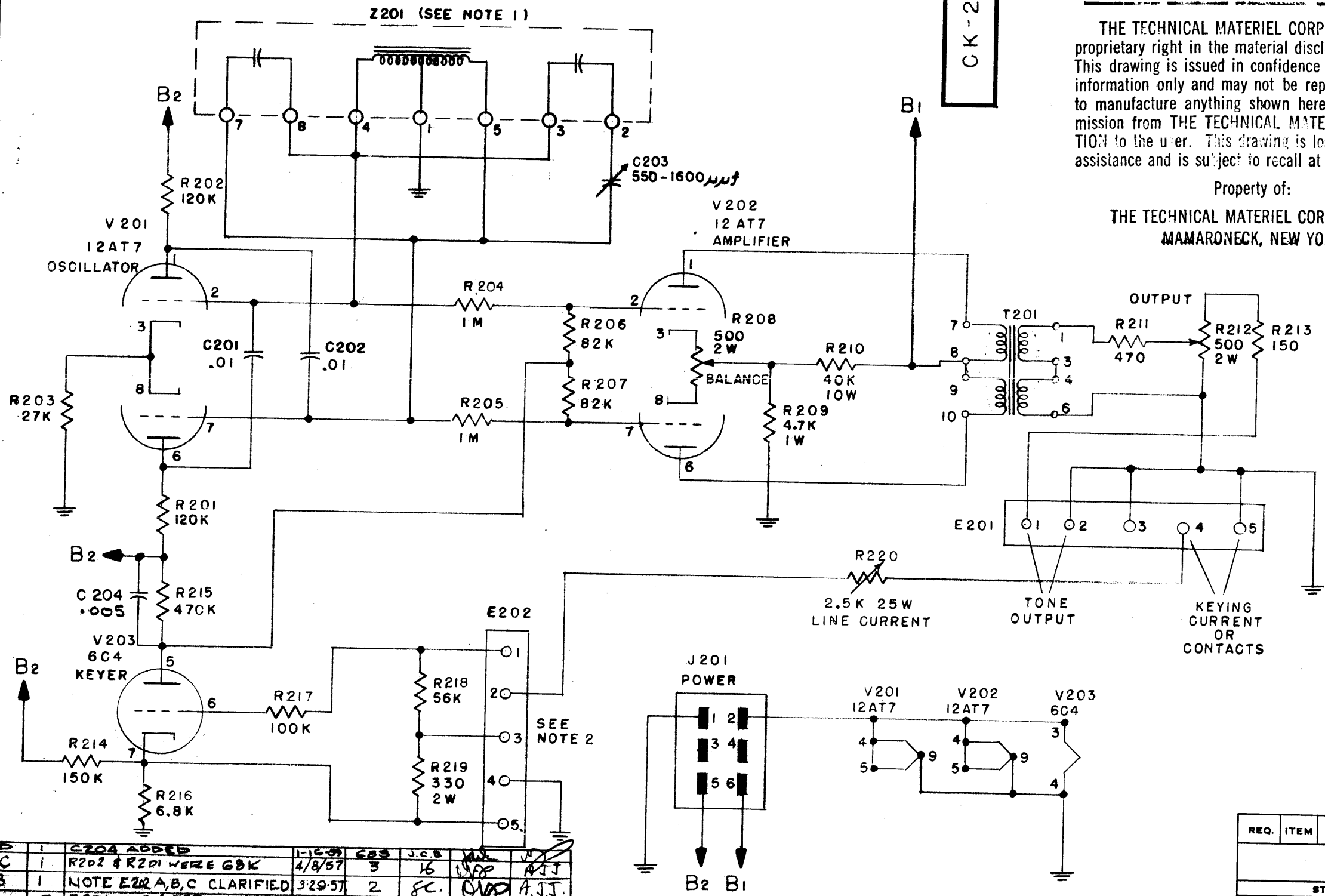
NOTE 1
Z201 FREQ. DETERMINING ELEMENT

NOTICE TO PERSONS RECEIVING THIS DRAWING

THE TECHNICAL MATERIEL CORPORATION claims proprietary right in the material disclosed hereon. This drawing is issued in confidence for engineering information only and may not be reproduced or used to manufacture anything shown hereon without permission from THE TECHNICAL MATERIEL CORPORATION to the user. This drawing is loaned for mutual assistance and is subject to recall at any time.

Property of:
THE TECHNICAL MATERIEL CORPORATION
MAMARONECK, NEW YORK

CHANNEL FREQ. CPS	PART NUMBER
425	NF-103-425
595	NF-103-595
765	NF-103-765
935	NF-103-935
1105	NF-103-1105
1275	NF-103-1275
1445	NF-103-1445
1615	NF-103-1615
1785	NF-103-1785
1955	NF-103-1955
2125	NF-103-2125
2295	NF-103-2295
2465	NF-103-2465
2635	NF-103-2635
2805	NF-103-2805
2975	NF-103-2975



NOTE 2
A- FOR POSITIVE PULSE KEYING
CONNECT 2-5, 3-4 ON E202
B- FOR NEGATIVE PULSE KEYING
CONNECT 2-3, 4-5 ON E202
C- FOR CONTACT KEYING
CONNECT 1-2 ON E202

ALL RESISTORS ARE 1/2 W UNLESS OTHERWISE NOTED.
ALL CAPACITORS ARE IN μf UNLESS OTHERWISE NOTED.

ISSUE	ITEM	CHANGED FROM	DATE	CN. NO.	DRAFTS	CHECKER	ENG. APP.
B	1	C204 ADDED	1-10-55	283	J.C.B.		
C	1	R202 & R201 WERE 68K	4/8/57	3	16	W.P.P.	A.J.J.
B	1	NOTE E202 A,B,C CLARIFIED	3-29-57	2	8C.	W.P.P.	A.J.J.
A	5	E201 WAS 6 TERMINALS	2/4/57	1	16	W.P.P.	A.J.J.
A	4	J201 WIRING CHG'D.					
A	3	Z201 WIRING CHG'D.					
A	2	SYMBOL SERIES WAS SINGLE DIE					
A	1	R216 WAS 2.7K / R219 WAS 33K					

ALL OTHERS	DEC. DIM. \pm	FRAC. DIM. \pm	ANGULAR DIM. \pm	DRILL, PUNCH, COMMERCIAL STOCK SIZES AND MANUFACTURERS TOLERANCES ARE NOT INCLUDED.
------------	-----------------	------------------	--------------------	---

TTU	250	9-14-54
MODEL	PROJECT NO.	DATE
USED ON		

REQ.	ITEM	PART NO.	DESCRIPTION	SYMBOL
THE TECHNICAL MATERIEL CORP. MAMARONECK, NEW YORK				
SCHEMATIC DIAGRAM				
TTU				
CDD		D.J.P.		
DRAWN		ELEC. DES. APP.	MECH. DES. APP.	
HEAT TREAT. SPEC.		A.J.J.		
CHECKED		FINAL APPROVAL		
FINISH & SPEC. NO.				CK-259 D