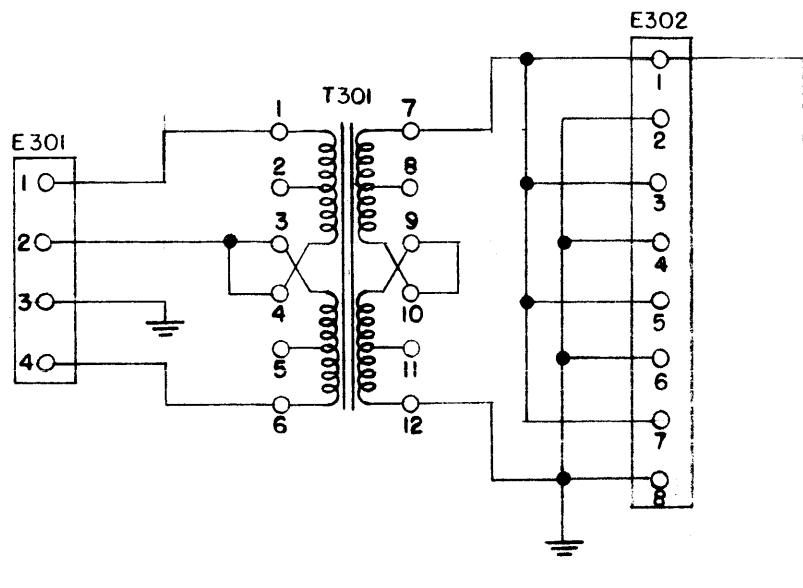


IF IT IS FOUND DESIRABLE TO CHANGE ANY TOLERANCE OR OTHER DETAIL SPECIFIED ON THIS DRAWING NOTIFY THE PURCHASER PROMPTLY.

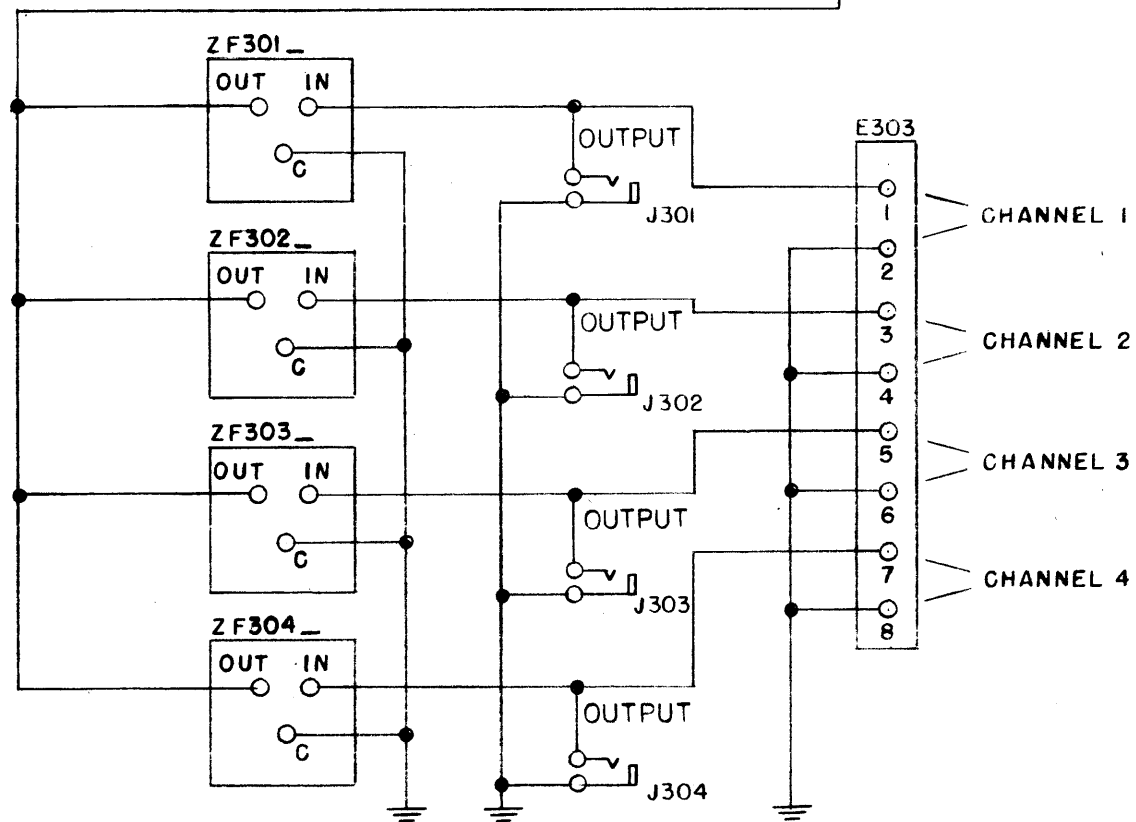
MAXIMUM ALLOWABLE TOLERANCES HAVE BEEN DETERMINED AND DEVIATIONS WILL BE CAUSE FOR REJECTION. REMOVE ALL BURRS AND SHARP EDGES

CK-256 B



PART NO. TO BE IN FOLLOWING FORM

FX-139-XXX
FREQ. C.P.S.



NOTICE TO PERSONS RECEIVING THIS DRAWING

THE TECHNICAL MATERIEL CORPORATION claims proprietary right in the material disclosed hereon. This drawing is issued in confidence for engineering information only and may not be reproduced or used to manufacture anything shown hereon without permission from THE TECHNICAL MATERIEL CORPORATION to the user. This drawing is loaned for mutual assistance and is subject to recall at any time.

Property of:

THE TECHNICAL MATERIEL CORPORATION
MAMARONECK, NEW YORK

UNIT	SYMBOL	PART NUMBER	
			CPS
TTF A	ZF301A	FX-139	425
	ZF302A	FX-139	595
	ZF303A	FX-139	765
	ZF304A	FX-139	935
TTF B	ZF301B	FX-139	1105
	ZF302B	FX-139	1275
	ZF304B	FX-139	1615
TTF C	ZF301C	FX-139	1785
	ZF302C	FX-139	1955
	ZF304C	FX-139	2295
TTF D	ZF301D	FX-139	2465
	ZF302D	FX-139	2635
	ZF303D	FX-139	2805
	ZF304D	FX-139	2975
TTF E	ZF301E	FX-142	595
	ZF302E	FX-142	935
	ZF304E	FX-142	1615
TTF F	ZF301F	FX-142	1955
	ZF302F	FX-142	2295
	ZF304F	FX-142	2975
TTF G	ZF301G	FX-143	935
	ZF302G	FX-143	1445
	ZF303G	FX-143	1955
	ZF304G	FX-143	2465

B	1	"OUTPUT" ADDED	3-21-57	2	sc.	W.P. A.I.J.
	4	SPEED COLUMN OF CHART DELETED				
A	3	SCHEMATIC CHG'D.	1/21/57	1	W.P. A.I.J.	
	2	SYMBOL SERIES WAS SINGLE DIGIT				
	1	FX-139 WAS FX-141				

ISSUE	ITEM	CHANGED FROM	DATE	CN. NO.	DRAFTS	CHECKER	ENG. APP.
TOLERANCES		SCALE:					
ALL OTHERS	DEC. DIM. ± FRAC. DIM. ± ANGULAR DIM. ±	DRILL, PUNCH, COMMERCIAL STOCK SIZES AND MANUFACTURERS TOLERANCES ARE NOT INCLUDED.					

TTF	250		9-13-54
MODEL	PROJECT NO.	ASS'Y. NO.	DATE
USED ON			

REQ.	ITEM	PART NO.	DESCRIPTION	SYMBOL
			THE TECHNICAL MATERIEL CORP. MAMARONECK, NEW YORK	
STOCK SIZE			SCHEMATIC DIAGRAM	
MATERIAL		WEIGHT PER PC.	TTF	
TYPE & TEMPER			CDD	
HEAT TREAT. SPEC.			DRAWN	ELEC. DES. APP. MECH. DES. APP.
			CHECKED	FINAL APPROVAL
			A. J. J.	
FINISH & SPEC. NO.			CK-256	B