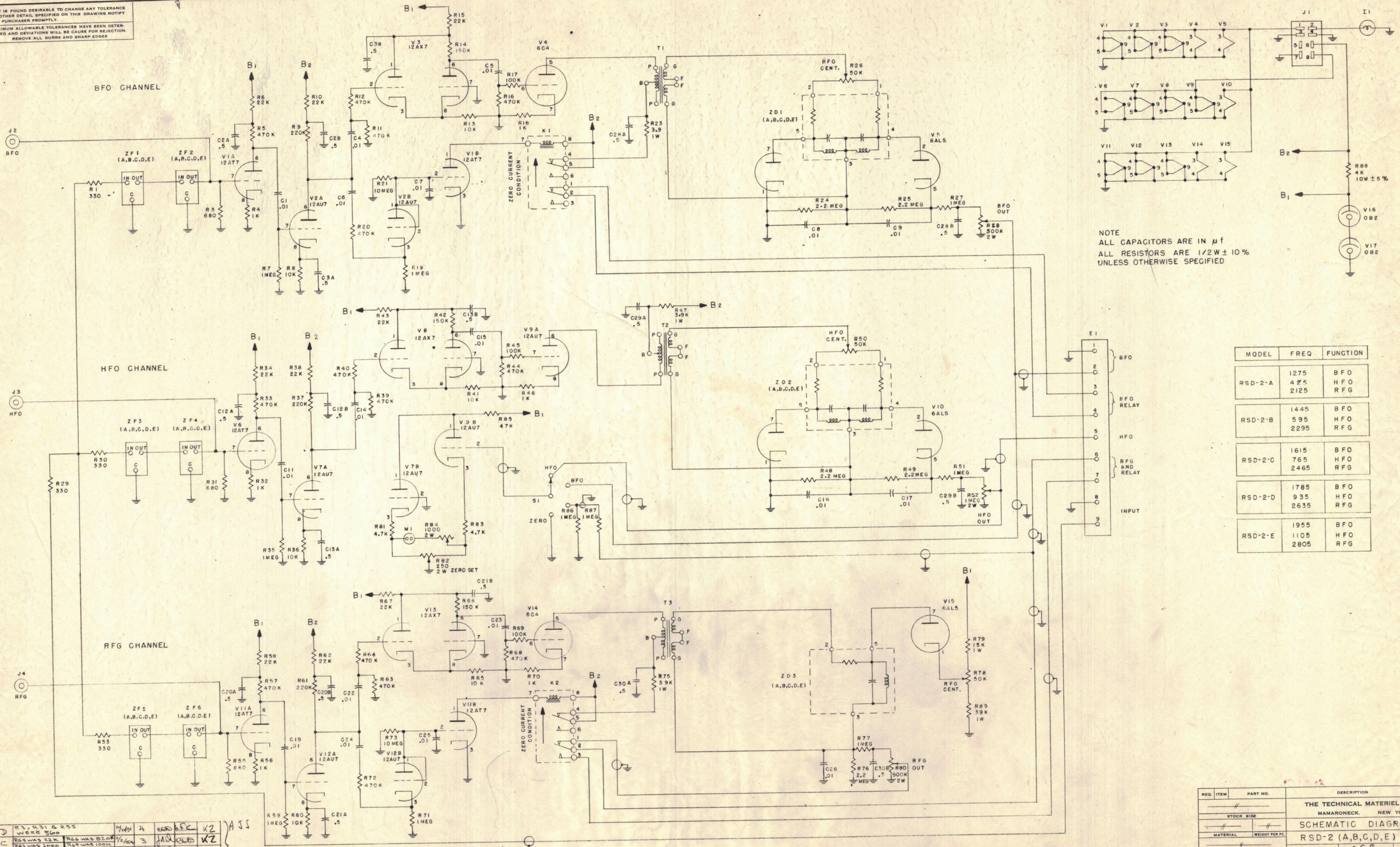


IF IT IS FOUND DESIRABLE TO CHANGE ANY TOLERANCE OR OTHER DETAIL SPECIFIED ON THIS DRAWING NOTIFY THE PURCHASER PROMPTLY.
 MAXIMUM ALLOWABLE TOLERANCES HAVE BEEN DETERMINED AND DEVIATIONS WILL BE CAUSE FOR REJECTION. REMOVE ALL BURRS AND SHARP EDGES.



NOTE
 ALL CAPACITORS ARE IN μf
 ALL RESISTORS ARE 1/2W ± 10%
 UNLESS OTHERWISE SPECIFIED

MODEL	FREQ	FUNCTION
RSD-2-A	1275	BFO
	425	HFO
	2125	RFG
RSD-2-B	1445	BFO
	595	HFO
	2295	RFG
RSD-2-C	1615	BFO
	765	HFO
	2465	RFG
RSD-2-D	1785	BFO
	935	HFO
	2635	RFG
RSD-2-E	1955	BFO
	1105	HFO
	2805	RFG

ISSUE	ITEM	CHANGED FROM	DATE	CH. NO.	DRAFTS	CHECKER	ENG. APP.
A	VALUE CHANGES JACKS ADDED		1/18/54	1			
B	JACKS RENUMBERED		1/18/54	2			
C	R23 WAS 22K R24 WAS 220K R25 WAS 100K R26 WAS 100K R27 WAS 100K R28 WAS 100K R29 WAS 100K R30 WAS 100K R31 WAS 100K R32 WAS 100K R33 WAS 100K R34 WAS 100K R35 WAS 100K R36 WAS 100K R37 WAS 100K R38 WAS 100K R39 WAS 100K R40 WAS 100K R41 WAS 100K R42 WAS 100K R43 WAS 100K R44 WAS 100K R45 WAS 100K R46 WAS 100K R47 WAS 100K R48 WAS 100K R49 WAS 100K R50 WAS 100K R51 WAS 100K R52 WAS 100K R53 WAS 100K R54 WAS 100K R55 WAS 100K R56 WAS 100K R57 WAS 100K R58 WAS 100K R59 WAS 100K R60 WAS 100K R61 WAS 100K R62 WAS 100K R63 WAS 100K R64 WAS 100K R65 WAS 100K R66 WAS 100K R67 WAS 100K R68 WAS 100K R69 WAS 100K R70 WAS 100K R71 WAS 100K R72 WAS 100K R73 WAS 100K R74 WAS 100K R75 WAS 100K R76 WAS 100K R77 WAS 100K R78 WAS 100K R79 WAS 100K R80 WAS 100K R81 WAS 100K R82 WAS 100K R83 WAS 100K R84 WAS 100K R85 WAS 100K R86 WAS 100K R87 WAS 100K R88 WAS 100K R89 WAS 100K R90 WAS 100K R91 WAS 100K R92 WAS 100K R93 WAS 100K R94 WAS 100K R95 WAS 100K R96 WAS 100K R97 WAS 100K R98 WAS 100K R99 WAS 100K R100 WAS 100K		1/18/54	3			
D	R23, R51 & R55 WERE 500		1/18/54	4			

TOLERANCES	SCALE:
ALL DEC. DIM. ±	DRILL PUNCH COMMERCIAL STOCK
OTHERS FRAC. DIM. ±	SIZES AND MANUFACTURERS
ANGULAR DIM. ±	TOLERANCES ARE NOT INCLUDED.

REQ.	ITEM	PART NO.	DESCRIPTION	SYMBOL

REQ.	ITEM	PART NO.	DESCRIPTION	SYMBOL

THE TECHNICAL MATERIEL CORP.
 MAMARONECK, NEW YORK
 SCHEMATIC DIAGRAM
 RSD-2 (A,B,C,D,E)
 CDD 5-21-54
 DRAWN: A. J. J.
 ELEC. DES. APP. MECH. DES. APP.
 CHECKED: KZ
 SUPERSEDES: RSD-1 (CK-193)
 FINAL APPROVAL: A. J. J.
 FINISH & SPEC. NO. CK-250 D

CK-250 D