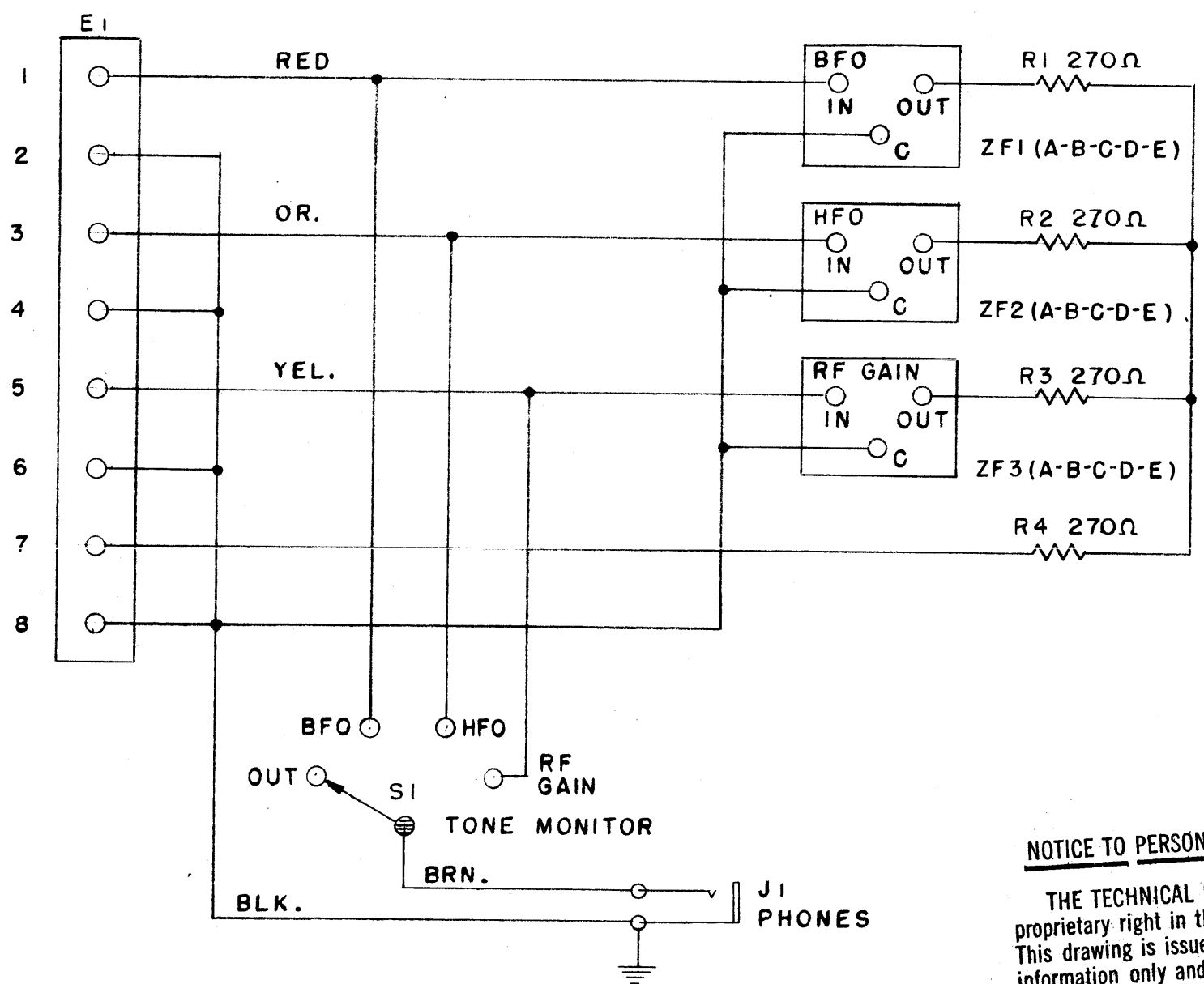


IF IT IS FOUND DESIRABLE TO CHANGE ANY TOLERANCE OR OTHER DETAIL SPECIFIED ON THIS DRAWING NOTIFY THE PURCHASER PROMPTLY.

MAXIMUM ALLOWABLE TOLERANCES HAVE BEEN DETERMINED AND DEVIATIONS WILL BE CAUSE FOR REJECTION. REMOVE ALL BURRS AND SHARP EDGES

C
CK-249

MODEL	FREQ	FUNCTION	FILTER NETWORK	TMC NO.
RSF-2A	1275	BFO	ZF1A	FX-139-1275
	425	HFO	ZF2A	FX-140-425
	2125	RFG	ZF3A	FX-139-2125
RSF-2B	1445	BFO	ZF1B	FX-139-1445
	595	HFO	ZF2B	FX-140-595
	2295	RFG	ZF3B	FX-139-2295
RSF-2C	1615	BFO	ZF1C	FX-139-1615
	765	HFO	ZF2C	FX-140-765
	2465	RFG	ZF3C	FX-139-2465
RSF-2D	1785	BFO	ZF1D	FX-139-1785
	935	HFO	ZF2D	FX-139-935
	2635	RFG	ZF3D	FX-139-2635
RSF-2E	1955	BFO	ZF1E	FX-139-1955
	1105	HFO	ZF2E	FX-139-1105
	2805	RFG	ZF3E	FX-139-2805



NOTE
FX-139 IS INTERCHANGEABLE WITH FX-141
FX-140 " " " " FX-144

NOTICE TO PERSONS RECEIVING THIS DRAWING

THE TECHNICAL MATERIEL CORPORATION claims proprietary right in the material disclosed hereon. This drawing is issued in confidence for engineering information only and may not be reproduced or used to manufacture anything shown hereon without permission from THE TECHNICAL MATERIEL CORPORATION to the user. This drawing is loaned for mutual assistance and is subject to recall at any time.

Property of:
THE TECHNICAL MATERIEL CORPORATION
MAMARONECK, NEW YORK

ISSUE	ITEM	CHANGED FROM	DATE	CN. NO.	DRAFTS	CHECKER	ENG. APP.
C	1	NOTE ADDED	4/22/54	3	SSD	JAN	KZ
B	1	R1, 2, 3, 4 WERE 300 Ω	4/25/54	2	JAN	SSD	KZ
A	1	FX- NO'S. CHANGED	9/9/54	1	C.D.D.	JAN	KZ

TOLERANCES		SCALE:
ALL OTHERS	DEC. DIM. ± FRAC. DIM. ± ANGULAR DIM. ±	DRILL, PUNCH, COMMERCIAL STOCK SIZES AND MANUFACTURERS TOLERANCES ARE NOT INCLUDED.

RSF-2		A-748	5-12-54
MODEL	PROJECT NO.	ASS'Y. NO.	DATE

REQ.	ITEM	PART NO.	DESCRIPTION	SYMBOL
			THE TECHNICAL MATERIEL CORP. MAMARONECK, NEW YORK	
			RSF-2 (A-B-C-D-E)	
			SCHMATIC DIAGRAM	
			CDD 5-12-54	KZ
			DRAWN	ELEC. DES. APP. MECH. DES. APP.
			JAN KZ	H. J. J.
			CHECKED	FINAL APPROVAL
			supercedes RSF-1 (CK-190)	CK-249