

TAD-1 INPUT  
2000CPS  
CHANNEL # 1

VOLUME LEVEL  
CIRCUIT TAD-1  
CHANNEL # 1

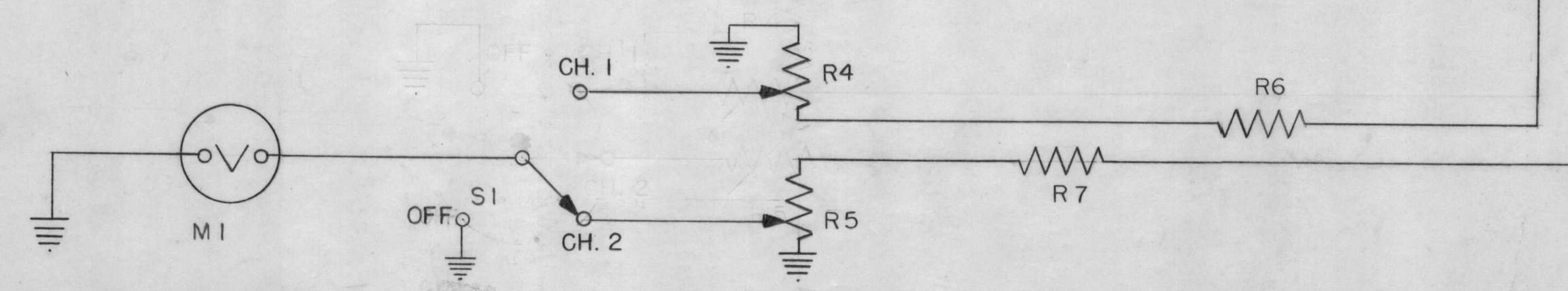
DC OUTPUT  
TAD-1  
CHANNEL # 1

TAD-1 INPUT  
2635 CPS  
CHANNEL # 2

VOLUME LEVEL  
CIRCUIT TAD-1  
CHANNEL # 2

DC OUTPUT  
TAD-1  
CHANNEL # 2

**NOTICE TO PERSONS RECEIVING THIS DRAWING**  
THE TECHNICAL MATERIEL CORPORATION claims proprietary right in the material disclosed hereon. This drawing is issued in confidence for engineering information only and may not be reproduced or used to manufacture anything shown hereon without permission from THE TECHNICAL MATERIEL CORPORATION to the user. This drawing is loaned for mutual assistance and is subject to recall at any time.  
Property of:  
**THE TECHNICAL MATERIEL CORPORATION**  
MAMARONECK, NEW YORK



WAS CES004 1/27/54  
REVISED 5-21-51 5-21

TONE TERMINAL RECEIVE  
TKM-RC

THE TECHNICAL MATERIEL CORPORATION  
MAMARONECK, NEW YORK

DATE: 1-26-51 CHKD. A.R.B.  
DRAWN: APPD.  
SHEET: OF NO: CK-224