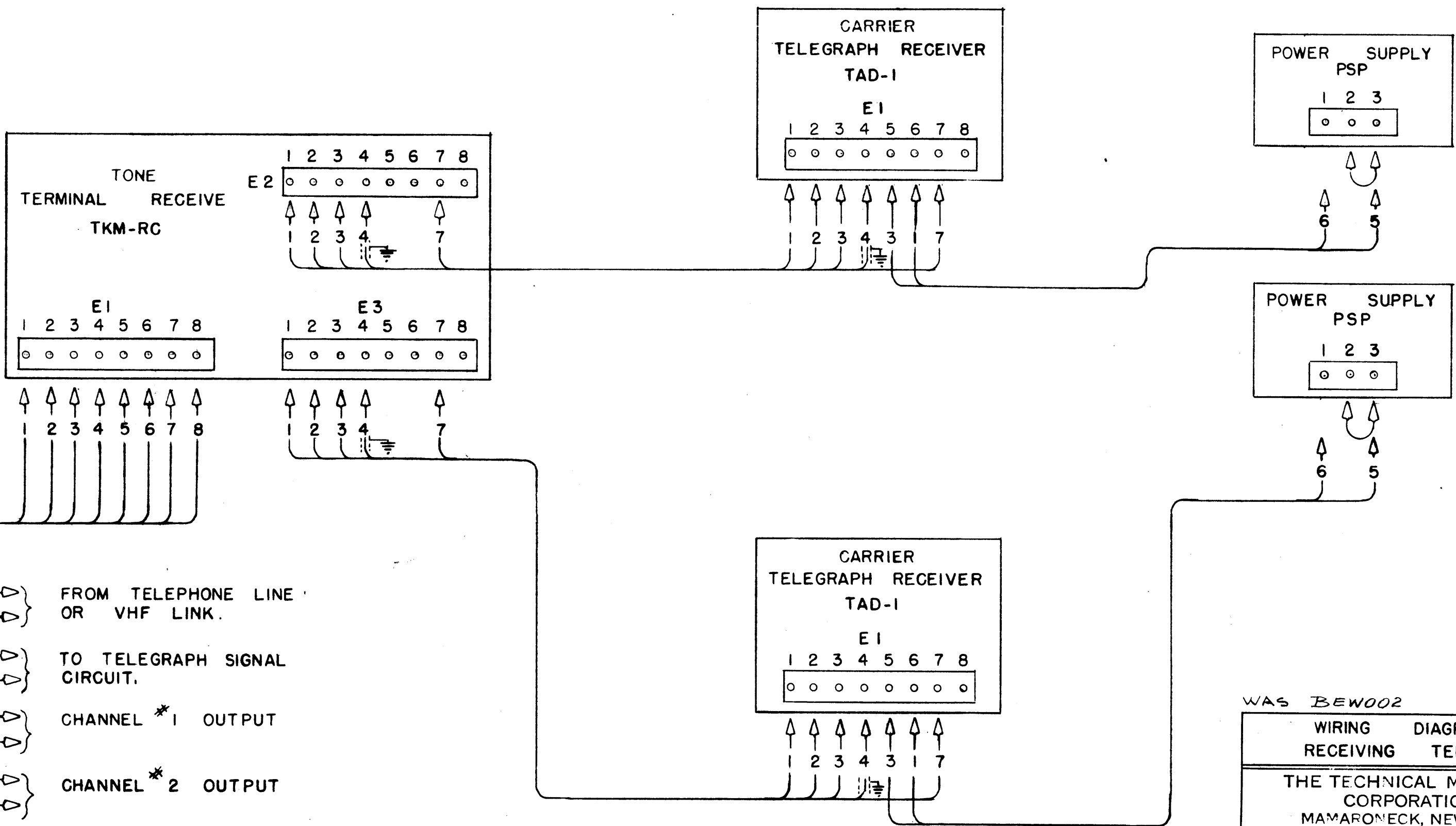


CK-223



- 1 → FROM TELEPHONE LINE OR VHF LINK.
- 2 → FROM TELEPHONE LINE OR VHF LINK.
- 3 → TO TELEGRAPH SIGNAL CIRCUIT.
- 4 → TO TELEGRAPH SIGNAL CIRCUIT.
- 5 → CHANNEL * 1 OUTPUT
- 6 → CHANNEL * 1 OUTPUT
- 7 → CHANNEL * 2 OUTPUT
- 8 → CHANNEL * 2 OUTPUT

WAS BEW002 1/27/54

WIRING DIAGRAM	
RECEIVING TERMINAL	
THE TECHNICAL MATERIEL CORPORATION MAMARONECK, NEW YORK	
DATE 2-14-51	CHKD. A.J.J.
DRAWN <i>[Signature]</i>	APPD. <i>[Signature]</i>
SHEET OF	NO CK-223

FIGURE 3-2 PAGE 3-4